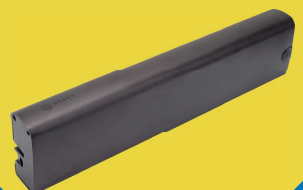
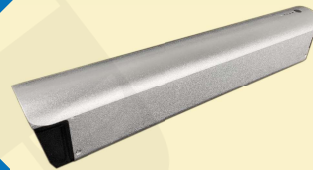


PORTAPOWER

Energy Solution Provider



2021 Products Catalog

ABOUT US

PortaPower was reorganized in 1995 from the former Megasonic (founded in 1991).

PortaPower is an experienced and reputable manufacturer and exporter of Li-ion, Li-Polymer, Ni-Cd and Ni-MH rechargeable battery packs and related products. **PortaPower** provides total energy solution for local and overseas OEM/ODM customers on all rechargeable battery packs of different chemistries.

PortaPower operates state-of-the-art manufacturing facilities based in China. These are the edges of our OEM/ODM business.

With strictest quality assurance policy, **PortaPower** ensures the highest standard in all production stages, offering high-quality battery products, with a focused goal of helping and reserving customers' request. To conclude, **PortaPower** is committed to offering innovative batteries and energy solutions that would provide profitable and value-added service of the highest quality to its customers.

To further enhance our quality service, **PortaPower** now provides a **2-Year warranty** to all of our products.





After-sales Service Center in Germany

We believe client satisfaction comes not only from quality products but also our commitment to bring confidence to both before and after sales. Therefore, a service center has been set up in Berlin to provide our client with the most timely and efficient technical support.



MEET **U** NEEDS



A
Battery Pack
Wolf II
YL-THL2



36V 20Ah

B
Torque Sensor
ERS-T10



C
Display Meter
BMS2298



D
Controller
ERC-A



36V

E
Rear Motor
RM3104KCB.325



250W



A
Eagle II
YL-THY2
(In-frame)

C
BMS2353

D
ERC-A (Built-in)

B
ERS-T15

E
RM3104SCB.325

A
Battery Pack
Eagle II
YL-THY2

B
Torque Sensor
ERS-T15

C
Display Meter
BMS2353

D
Controller
ERC-A

E
Rear Motor
RM3104SCB.325



36V 14Ah



36V



250W

PORTAPOWER

Drive Systems



A
Battery Pack
Grasshopper I
YL-DCM1



36V 17.5Ah

B
Speed Sensor
ERS-ES01



C
Display Meter
BMS2008



D
Controller
ERC-A



36V

E
Rear Motor
RM3104SCB.325



250W

* For more e-drive system information, please see catalog e-Rider 2021 Version

PORTAPOWER

Drive Systems



A
Battery Pack
Lightning II
YL-CSD2



36V 14Ah

B
Speed Sensor
ERS-S02



C
Display Meter
BMS2008



D
Controller
ERC-A



36V

E
Front Motor
FM3104XCB.325



250W

CONTENTS

04 *Electric Bicycle Battery Types*

115 *Battery Charger*

123 *Electric Wheelchair Battery Types*

127 *Equipment*

130 *Battery Case Accessories*

133 *Battery Cells*

**Electric Bicycle
Battery Types**

***In-frame
Battery Packs***



***Down Tube
Battery Packs***



***Rear Carrier
Battery Packs***



***Multi-fit
Battery Packs***



***Seat Post
Battery Packs***



***Water Bottle
Battery Packs***



Certificates:

CE

ROHS

REACH

IEC62133

MSDS & UN38.3

EN ISO 13849-1:2015

In-frame

P70



玄武一號
Black Warrior I YL-TXW1

P71



玄武二號
Black Warrior II YL-TXW2

P55



神龍一號
Dragon I YL-TSL1

P56



神龍二號
Dragon II YL-TSL2

P56



神龍三號
Dragon III YL-TSL3

P57



神龍A
Dragon A YL-TSLA

P57



神龍B
Dragon B YL-TSLB

P24



電鰻一號
Electric Eel I YL-TDM1

P25



電鰻二號
Electric Eel II YL-TDM2

P25



電鰻A
Electric Eel A YL-TDMA

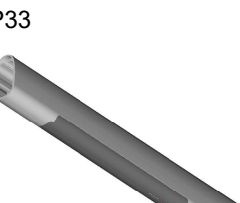


P26



電鰻B
Electric Eel B YL-TDMB

P33



黑鷹一號
Eagle I YL-THY1

P33



黑鷹二號
Eagle II YL-THY2

P29



飛魚一號
Flying Fish I YL-TFY1

▶ Waterproof Grade: IP 65 · Certifications: CE, EN ISO13849-1:2015, MSDS, UN38.3, IEC62133, ROHS, REACH

BATTERY PACKS

In-frame

P26



鳳凰一號
Phoenix I YL-TFH1

P27



鳳凰二號
Phoenix II YL-TFH2

P61



太平洋一號
Pacific I YL-TTP1

P62



太平洋二號
Pacific II YL-TTP2

P62



太平洋三號
Pacific III YL-TTP3

P63



太平洋四號
Pacific IV YL-TTP4

P63



太平洋A
Pacific A YL-TTPA

P64



太平洋B
Pacific B YL-TTPB



P64



太平洋C
Pacific C YL-TTPC

P65



太平洋K
Pacific K YL-TTPK

P65



太平洋L
Pacific L YL-TTPL

P66



太平洋M
Pacific M YL-TTPM

P66



太平洋N
Pacific N YL-TTPN

P42



雷蛇一號
Razer I YL-TLS1

▶ Waterproof Grade: IP 65 · Certifications: CE, EN ISO13849-1:2015, MSDS, UN38.3, IEC62133, ROHS, REACH

In-frame

P72



朱雀一號
Rosefinch I YL-TZQ1

P73



朱雀二號
Rosefinch II YL-TZQ2

P73



朱雀三號
Rosefinch III YL-TZQ3

P20



寶劍一號
Sword I YL-TBJ1

P22



獨角獸一號
Unicorn I YL-TDJ1

P23



獨角獸二號
Unicorn II YL-TDJ2

P23



獨角獸三號
Unicorn III YL-TDJ3

P24



獨角獸四號
Unicorn IV YL-TDJ4



P20



白虎一號
White Tiger I YL-TBH1

P30



灰狼一號
Wolf I YL-THL1

P30



灰狼二號
Wolf II YL-THL2

P42



獵刀一號
Blade I SS-TLR1

P21



長龍一號
Changlong I SS-TCL1

P55



雙龍一號
Dual Loong I SS-TSB1

▶ Waterproof Grade: IP 65 · Certifications: CE, EN ISO13849-1:2015, MSDS, UN38.3, IEC62133, ROHS, REACH

BATTERY PACKS

In-frame

P22



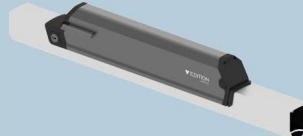
長征一號
Expedition I SS-TCZ1

P27



豐田一號
Fengtian I SS-TFT1

P28



豐田二號
Fengtian II SS-TFT2

P28



豐田三號
Fengtian III SS-TFT3

P29



豐田四號
Fengtian IV SS-TFT4

P35



巨龍一號
Huge Loong I SS-TJL1



P35



巨龍二號
Huge Loong II SS-TJL2

P41



廬山一號
Lushan I SS-TLB1

P45



南海一號
Nanhai I SS-TNH1

P45



南海二號
Nanhai II SS-TNH2

P31



海獅一號
Sea Lion I SS-THS1

P31



海獅二號
Sea Lion II SS-THS2

P32



海月-F
Sea Moon-F SS-THA1

P46



南洋一號
South Pacific I SS-TNY1

▶ Waterproof Grade: IP 65 · Certifications: CE, EN ISO13849-1:2015, MSDS, UN38.3, IEC62133, ROHS, REACH

In-frame

P46



南洋二號
South Pacific II SS-TNY2

P47



南洋三號
South Pacific III SS-TNY3

P47



南洋三號加厚1
South Pacific III-H1 SS-TNY3H1

P48



南洋三號加厚2
South Pacific III-H2 SS-TNY3H2

P48



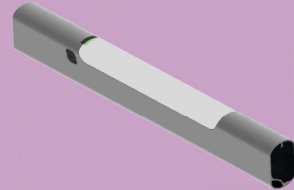
南洋三號加厚3
South Pacific III-H3 SS-TNY3H3

P49



南洋四號
South Pacific IV SS-TNY4

P49



南洋四號Pro1
South Pacific IV Pro1 SS-TNY4P1

P50



南洋四號Pro2
South Pacific IV Pro2 SS-TNY4P2



P58



索尼一號
Sony I SS-TSN1

P58



索尼二號
Sony II SS-TSN2

P53



珊瑚一號
Coral I RE-TSH1

P54



珊瑚二號
Coral II RE-TSH2

P54



珊瑚三號
Coral III RE-TSH3

P36



劍魚Mini1
Dorado Mini1 RE-TJY1S

▶ Waterproof Grade: IP 65 · Certifications: CE, EN ISO13849-1:2015, MSDS, UN38.3, IEC62133, ROHS, REACH

BATTERY PACKS

In-frame

P36



劍魚Mini2
Dorado Mini2 RE-TJY2S

P37



劍魚Pro3
Dorado Pro3 RE-TJY3P

P37



劍魚Pro4
Dorado Pro4 RE-TJY4P

P38



劍魚Plus5
Dorado Plus5 RE-TJY5

P38



劍魚Plus6
Dorado Plus6 RE-TJY6

P39



劍魚Max7
Dorado Max7 RE-TJY7M

P39



劍魚Max8
Dorado Max8 RE-TJY8M

P52



蜻蜓二號
Dragonfly II RE-TQT2



P52



蜻蜓三號
Dragonfly III RE-TQT3

P53



蜻蜓四號
Dragonfly IV RE-TQT4

P40



利刃一號
Edge I RE-TLA1

P43



鰻魚Pro1
Eel Pro1 RE-TMY1P

P43



鰻魚Mini1
Eel Mini1 RE-TMY1S

P44



鰻魚Mini2
Eel Mini2 RE-TMY2S

▶ Waterproof Grade: IP 65 · Certifications: CE, EN ISO13849-1:2015, MSDS, UN38.3, IEC62133, ROHS, REACH

In-frame

P44




鰻魚Micro-U
Eel Micro-U RE-TMYU

P34



蛟龍一號
Gerlon I RE-TJA1

P34



蛟龍二號
Gerlon II RE-TJA2

P50



麒麟一號
Kirin I RE-TQL1

P51



麒麟二號
Kirin II RE-TQL2

P41



利劍一號
Rapier I RE-TLJ1

P70



犀牛一號
Rhino I RE-TXN1


P21



半月一號
Scimitar I RE-TBY1



P71



雲豹一號
Clouded Leopard I SY-TYB1

P32



海豚一號
Dolphin I SY-THT1

P68



小狐狸一號
Little Fox I SY-TXH1

P68



小狐狸 Mini1
Little Fox Mini1 SY-TXH1S

P72



野馬一號
Mustang I SY-TYM1

P60



探路者一號
Pathfinder I SY-TTL1

▶ Waterproof Grade: IP 65 · Certifications: CE, EN ISO13849-1:2015, MSDS, UN38.3, IEC62133, ROHS, REACH

BATTERY PACKS

In-frame

P59



天鵝一號
Swan I SY-TTE1

P51



青年一號
Youth I SY-TQN1

P67



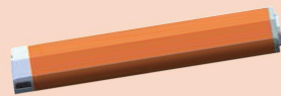
空中巴士一號
Air Bus I HY-TKB1

P67



天鷹一號
SkyHawk I HY-TTY1

P67



天鷹二號
SkyHawk II HY-TTY2

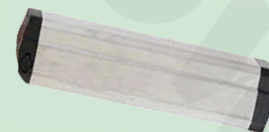


P59



天宮六號
Tian Gong VI HY-TTG6

P60



天宮八號
Tian Gong VIII HY-TTG8

P61



天馬Mini
Tian Ma Mini HY-TTMS

P69



梟龍一號
Xiao Long I HY-TXL1

P69



梟龍二號
Xiao Long II HY-TXL2

▶ Waterproof Grade: IP 65 · Certifications: CE, EN ISO13849-1:2015, MSDS, UN38.3, IEC62133, ROHS, REACH

Down Tube

P74 *

 草蝽一號
 Grasshopper I YL-DCM1

P74 *

 草蝽二號
 Grasshopper II YL-DCM2

P75 *

 黃蜂一號
 Wasp I YL-DHF1

P76 *

 黃蜂二號
 Wasp II YL-DHF2

P75 *

 海爾一號
 Haier I SS-DHE1

P76 *

 海龍一號
 Hailong I SS-DHL1

P77 *

 海龍一號2型
 Hailong I-2 SS-DHL1M

P77 *

 海龍五號
 Hailong V SS-DHL5

P78 *

 海龍七號
 Hailong VII SS-DHL7

P78 *

 海龍八號
 Hailong VIII SS-DHL8



P81 *

 海月一號
 Sea Moon I SS-DHY1

P81 *

 海月-C
 Sea Moon-C SS-DHY1C

P83 *

 夏普一號
 Sharp I SS-DXP1

P82 *

 擎天-5C
 Atlas 5C RE-DQT5C

▶ Waterproof Grade: IP 65 • Certifications: CE, EN ISO13849-1:2015, MSDS, UN38.3, IEC62133, ROHS, REACH

* Extra space for controller available

Down Tube

P83



鸚鵡-4M
Polly 4M RE-DYW4M



P84



鸚鵡五號
Polly V RE-DYW5

P84



鸚鵡-5C
Polly 5C RE-DYW5C



P85



鸚鵡-5M
Polly 5M RE-DYW5M



P85



鸚鵡六號
Polly VI RE-DYW6

P86



鸚鵡-6C
Polly 6C RE-DYW6C



P86



鸚鵡九號
Polly IX RE-DYW9

P87



鸚鵡-9C
Polly 9C RE-DYW9C



P79



虎鯊一號
Tiger Shark I RE-DHS1

P79



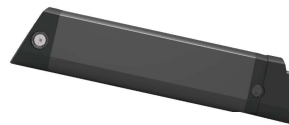
虎鯊二號
Tiger Shark II RE-DHS2

P80



虎鯊三號
Tiger Shark III RE-DHS3

P82



雷霆-4C
Thunder 4C RE-DLT4C



P80



新和諧一號
HXH I HY-DHX1



▶ Waterproof Grade: IP 65 · Certifications: CE, EN ISO13849-1:2015, MSDS, UN38.3, IEC62133, ROHS, REACH

* Extra space for controller available

Water Bottle

BATTERY PACKS

P92 *

 小蜻蜓一號
 Dragonfly I YL-WXQ1

P93 *

 小蜻蜓二號
 Dragonfly II YL-WXQ2

P93 *

 小蜻蜓三號
 Dragonfly III YL-WXQ3

P89 *

 金龜一號
 Scarab I YL-WJG1

P90 *

 金龜二號
 Scarab II YL-WJG2

P90 *

 金龜三號
 Scarab III YL-WJG3

P91 *

 金龜四號
 Scarab IV YL-WJG4

P91 *

 天牛一號
 Sky Bull I YL-WTN1



Extra Space for controller

P92 *

 天牛二號
 Sky Bull II YL-WTN2

P88 *

 動車二號
 Train II SS-WDC2

P88 *

 海兔1C
 Cuttle 1C RE-WHT1C

P89 *

 海兔2C
 Cuttle 2C RE-WHT2C

▶ Waterproof Grade: IP 65 · Certifications: CE, EN ISO13849-1:2015, MSDS, UN38.3, IEC62133, ROHS, REACH
 * Extra space for controller available

BATTERY PACKS

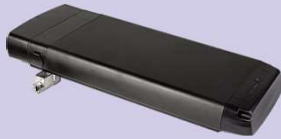
Rear Carrier

P96



飛雪一號
Blizzard I YL-CFX1

P99



藍天一號
Blue Sky I YL-CLT1

P100



藍天二號
Blue Sky II YL-CLT2

P100



藍天三號
Blue Sky III YL-CLT3

P104



微風一號
Breeze I YL-CWF1

P105



微風二號
Breeze II YL-CWF2

P102



閃電一號
Lightning I YL-CSD1

P102



閃電二號
Lightning II YL-CSD2

P103



松下二號
Matsushita II YL-CSX2

P101



雷雨一號
Thunderstorm I YL-CLY1

P94



白雲一號
White Cloud I YL-CBY1

P95



白雲二號
White Cloud II YL-CBY2

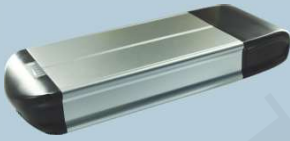


▶ Waterproof Grade: IP 65 · Certifications: CE, EN ISO13849-1:2015, MSDS, UN38.3, IEC62133, ROHS, REACH

* Extra space for controller available

Rear Carrier

P97



海豚一號
Dolphin I SS-CHD1

P97



海豚三號
Dolphin III SS-CHD3

P98



海天一號
Hai Tian I SS-CHT1

P98



海鷹四號
Hai Ying IV SS-CHY4

P99



吉龍一號
Lucky Dragon I SS-CJL1

P101



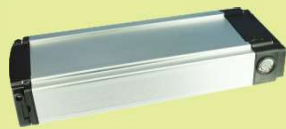
流星一號
Shooting Star I SS-CLX1

P103



天龍一號
Sky Dragon I SS-CTL1

P104



天龍三號
Sky Dragon III SS-CTL3

P96



光芒三號
Brilliance III RE-CGM3T

P105



銀鯊 RS-3
Silvertip Shark I RE-CYS1

P94



Apollo一號
Appolo I KN-CAP1

P95



N115一號
N115 I KN-CCB1



▶ Waterproof Grade: IP 65 · Certifications: CE, EN ISO13849-1:2015, MSDS, UN38.3, IEC62133, ROHS, REACH

* Extra space for controller available

BATTERY PACKS

Multi-fit

P107



藍鯨一號
Blue Whale I YL-MLJ1

P108



珊瑚一號
Coral I YL-MSH1

P108



水母一號
Jellyfish I YL-MSM1

P106



海馬一號
Seahorse I YL-MHM1

P107



海星一號
Starfish I YL-MHX1

P106



海龜一號
Sea Turtle I YL-MHG1



with Controller Box Base

Welding



Clipping



Seat Post

P110



銀魚一號
Whitebait I YL-SYY1

P110



銀魚二號
Whitebait II YL-SYY2

P110



銀魚三號
Whitebait III YL-SYY3



P110



銀魚四號
Whitebait IV YL-SYY4

P109



海星二號
Starfish II SS-SHX2

▶ Waterproof Grade: IP 65 · Certifications: CE, EN ISO13849-1:2015, MSDS, UN38.3, IEC62133, ROHS, REACH

*Extra space for controller available

White Tiger I Series

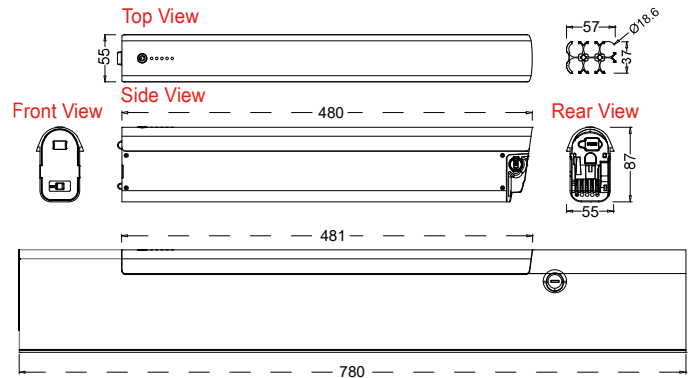
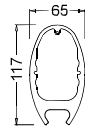
In-frame Battery Packs



4A fast charger available, refer to P.115



Battery Mounting Position:



TBH - TBJ

YL-TBH1 白虎一號 (Colour: Black/Silver)

NEW

Optional: N/A

Discharge port: 5 Pin

Charge port: DC2.1

Maximum Cells: 18650 39/40 pcs

LED indicator: 5 LED

Configurations: 13S3P / 10S4P

Rate: 6.6Ah - 10.5Ah / 8.8Ah - 14.0Ah

Battery Materials: Aluminum Alloy 6063/PC+ABS

Down Tube Materials: Aluminum Alloy 6061

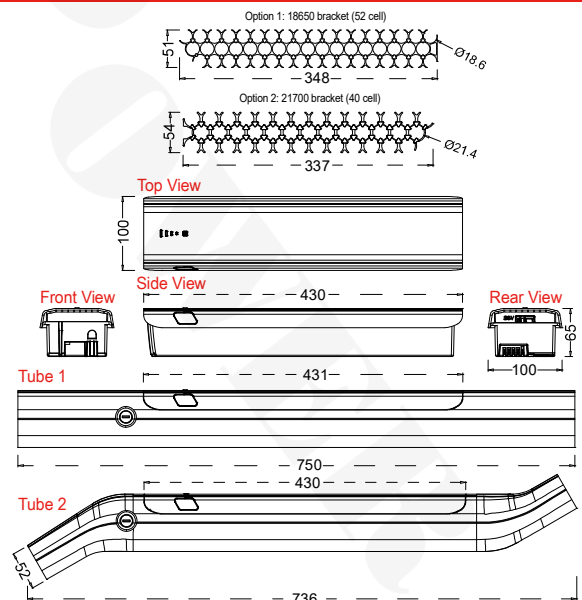
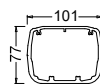
Sword I Series

In-frame Battery Packs

21700 cell available



Battery Mounting Position:



YL-TBJ1 寶劍一號 * Spring Lock

Optional: N/A

Discharge port: 5 Pin

Charge port: DC2.1

Maximum Cells: 21700 39/40 & 18650 52/ 50 pcs

LED indicator: 4 LED

Configurations: 13S3P/ 10S4P & 13S4P/ 10S5P

Rate: 15.0Ah/ 20.0Ah & 8.8Ah - 14.0Ah/ 11.0Ah - 17.5Ah

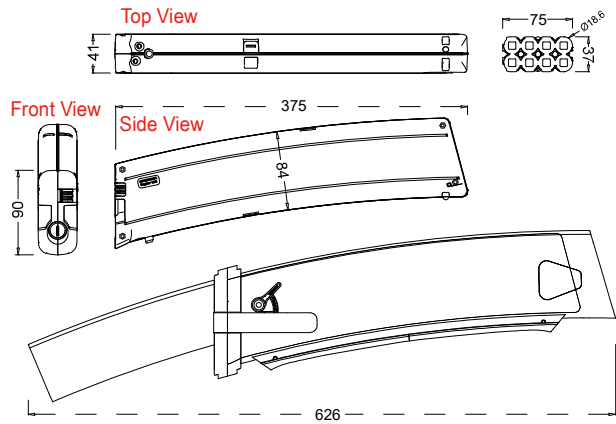
Battery Materials: PC+ABS

Down Tube Materials: Aluminum Alloy 6061

In-frame Battery Packs

Scimitar I Series

TBY - TCL



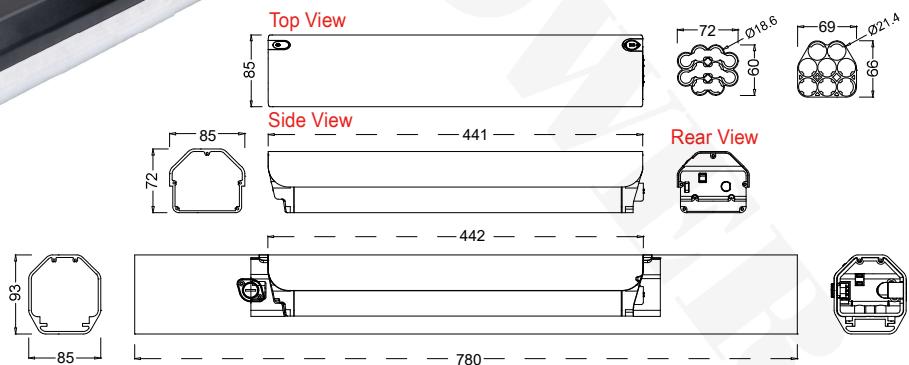
RE-TBY1 半月一號	Optional: USB Port
Discharge port: 2 Pin	Charge port: DC2.1
Maximum Cells: 18650 30 pcs	LED indicator: N/A
Configurations: 10S3P	Rate: 6.6Ah - 10.5Ah
Battery Materials: PC+ABS	Down Tube Materials: Aluminum Alloy 6061

In-frame Battery Packs

Changlong I Series



Battery Mounting Position:



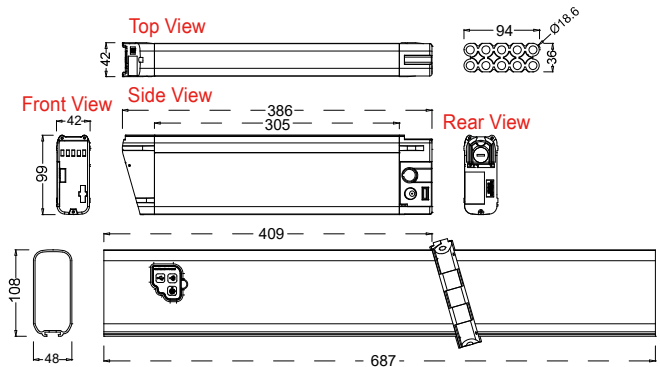
SS-TCL1 長龍一號	Optional: N/A
Discharge port: 6 Pin	Charge port: DC2.1
Maximum Cells: 18650 50 pcs & 21700 40 pcs	LED indicator: 4 LED
Configurations: 10S5P & 10S4P	Rate: 11.0Ah - 17.5Ah & 20.0Ah
Battery Materials: Aluminum Alloy 6063/PC+ABS	Down Tube Materials: Aluminum Alloy 6061

Expedition I Series

In-frame Battery Packs



4A fast charger available, refer to P.115

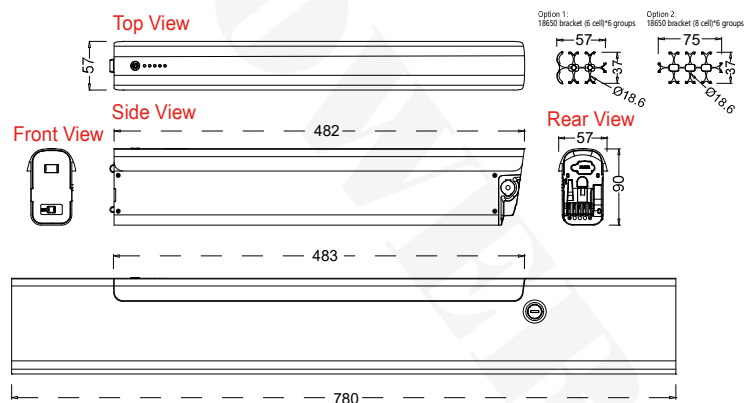


TCZ - TDJ

SS-TCZ1 長征一號	Optional: USB Port
Discharge port: 2 Pin	Charge port: DC2.1
Maximum Cells: 18650 40 pcs	LED indicator: N/A
Configurations: 10S4P	Rate: 8.8Ah - 14.0Ah
Battery Materials: Aluminum Alloy 6063/PC+ABS	Down Tube Materials: Aluminum Alloy 6061

Unicorn I Series

In-frame Battery Packs



Battery Mounting Position:



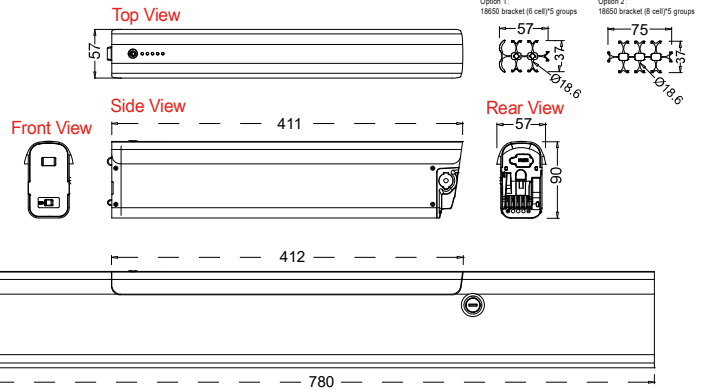
Down Tube Weight(kg): 3.42

YL-TDJ1 獨角獸一號 (Colour: Black/Silver)* <i>Spring Lock</i>	Optional: N/A
Discharge port: 5 Pin	Charge port: DC2.1
Maximum Cells: 18650 39/ 50 pcs	LED indicator: 5 LED
Configurations: 13S3P/ 10S5P	Rate: 6.6Ah - 10.5Ah/ 11.0Ah - 17.5Ah
Battery Materials: Aluminum Alloy 6063/PC+ABS	Down Tube Materials: Aluminum Alloy 6061

In-frame Battery Packs

Unicorn II Series

TDJ



Battery Mounting Position:



Down Tube Weight(kg): 3.42

YL-TDJ2 獨角獸二號 (Colour: Black/Silver) * **Spring Lock** Optional: N/A

Discharge port: 5 Pin

Charge port: DC2.1

Maximum Cells: 18650 39/ 40/ 30 pcs

LED indicator: 5 LED

Configurations: 13S3P/ 10S4P/ 10S3P

Rate: 6.6Ah - 10.5Ah/ 8.8Ah - 14.0Ah

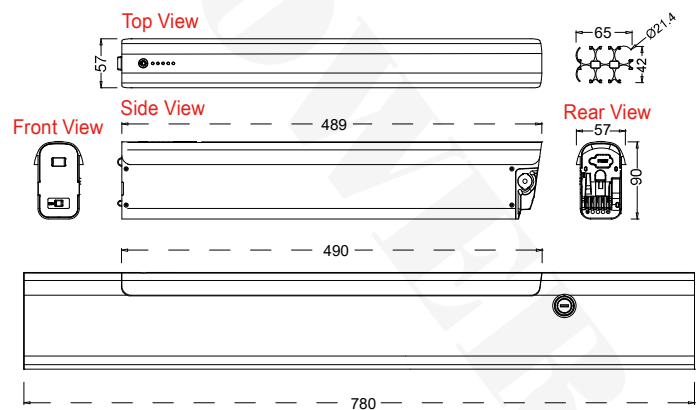
Battery Materials: Aluminum Alloy 6063/PC+ABS

Down Tube Materials: Aluminum Alloy 6061

In-frame Battery Packs

Unicorn III Series

21700 cell available



Battery Mounting Position:



NEW

Down Tube Weight(kg): 3.42

YL-TDJ3 獨角獸三號 (Colour: Black/Silver) * **Spring Lock** Optional: N/A

Discharge port: 5 Pin

Charge port: DC2.1

Maximum Cells: 21700 39/40 pcs

LED indicator: 5 LED

Configurations: 13S3P/ 10S4P

Rate: 15.0Ah/ 20.0Ah

Battery Materials: Aluminum Alloy 6063/PC+ABS

Down Tube Materials: Aluminum Alloy 6061

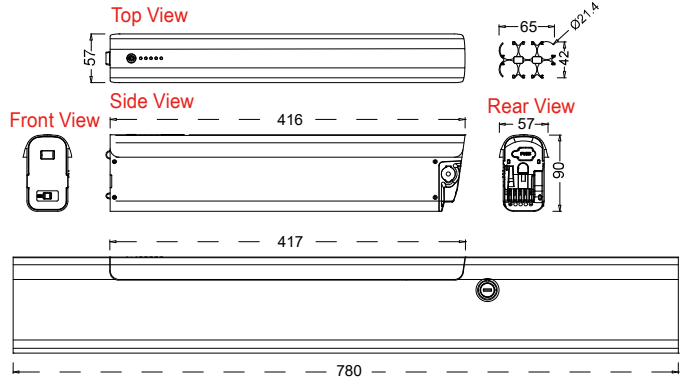
Unicorn IV Series

In-frame Battery Packs

21700 cell available



4A fast charger available, refer to P.115



Battery Mounting Position:



NEW

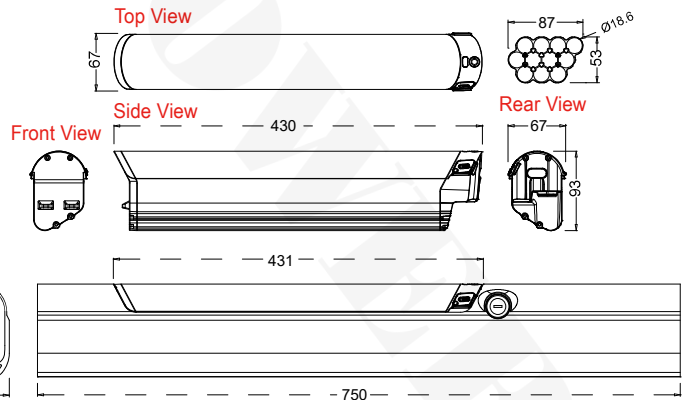
Down Tube Weight(kg): 3.42

YL-TDJ4 獨角獸四號 (Colour: Black/Silver) * <i>Spring Lock</i>	Optional: N/A
Discharge port: 5 Pin	Charge port: DC2.1
Maximum Cells: 21700 30 pcs	LED indicator: 5 LED
Configurations: 10S3P	Rate: 15.0Ah
Battery Materials: Aluminum Alloy 6063/PC+ABS	Down Tube Materials: Aluminum Alloy 6061

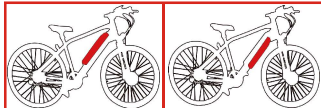
TDJ - TDM

Electric Eel I Series

In-frame Battery Packs



Battery Mounting Position:



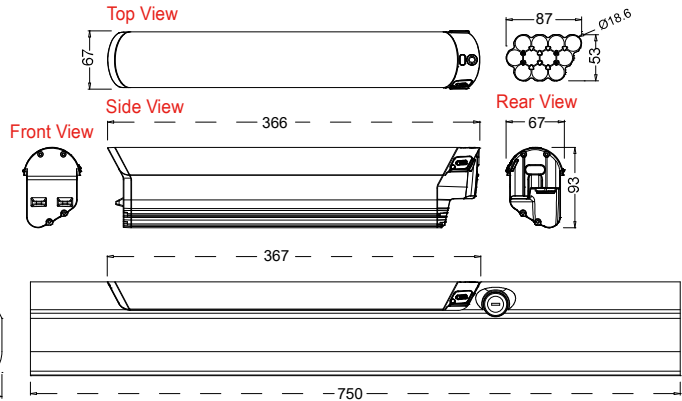
NEW

YL-TDM1 電鰻一號 (EEL Pro) * <i>Spring Lock</i>	Optional: N/A
Discharge port: 6 Pin	Charge port: DC2.1
Maximum Cells: 18650 52/ 50 pcs	LED indicator: Single LED (Tricolor)
Configurations: 13S4P/ 10S5P	Rate: 8.8Ah - 14.0Ah/ 11.0Ah - 17.5Ah
Battery Materials: Aluminum Alloy 6063/PC+ABS	Down Tube Materials: Aluminum Alloy 6061

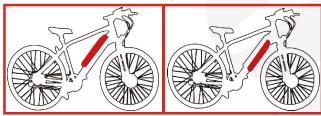
In-frame Battery Packs

Electric Eel II Series

TDM



Battery Mounting Position:



YL-TDM2 電鰻二號 (EEL Pro) * Spring Lock

NEW

Optional: N/A

Discharge port: 6 Pin

Charge port: DC2.1

Maximum Cells: 18650 40 pcs

LED indicator: Single LED (Tricolor)

Configurations: 10S4P

Rate: 8.8Ah - 14.0Ah

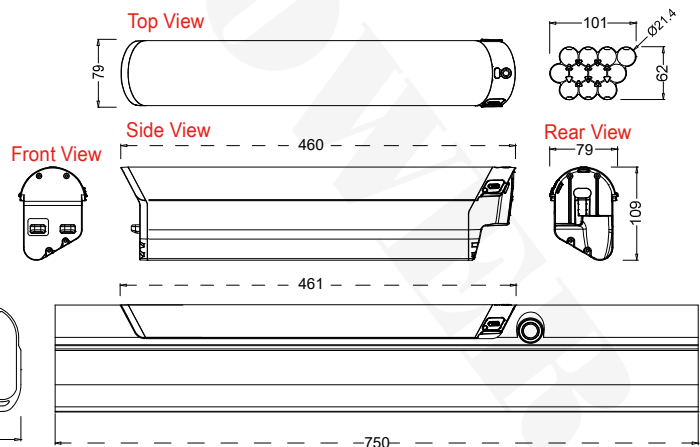
Battery Materials: Aluminum Alloy 6063/PC+ABS

Down Tube Materials: Aluminum Alloy 6061

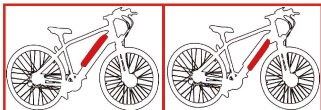
In-frame Battery Packs

Electric Eel A Series

21700 cell available



Battery Mounting Position:



YL-TDMA 電鰻A * Spring Lock

NEW

Optional: N/A

Discharge port: 6 Pin

Charge port: DC2.1

Maximum Cells: 21700 52/ 50 pcs

LED indicator: Single LED (Tricolor)

Configurations: 13S4P/ 10S5P

Rate: 20.0Ah / 25.0Ah

Battery Materials: Aluminum Alloy 6063/PC+ABS

Down Tube Materials: Aluminum Alloy 6061

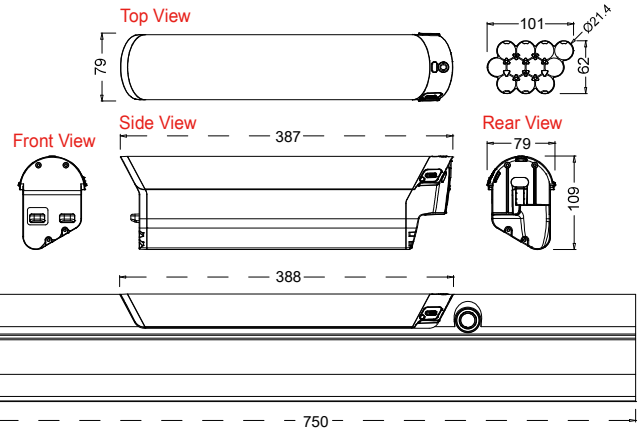
Electric Eel B Series

In-frame Battery Packs

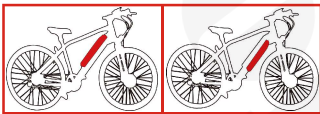
21700 cell available



4A fast charger available, refer to P.115



Battery Mounting Position:



NEW

YL-TDMB 電鯉B * *Spring Lock*

Optional: N/A

Discharge port: 6 Pin

Charge port: DC2.1

Maximum Cells: 21700 39/ 40 pcs

LED indicator: Single LED (Tricolor)

Configurations: 13S3P/ 10S4P

Rate: 15.0Ah/ 20.0Ah

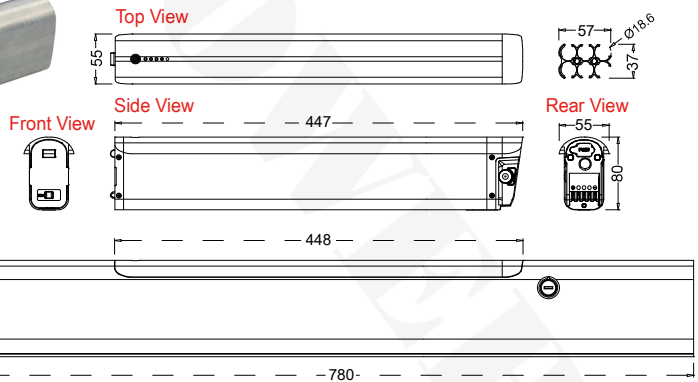
Battery Materials: Aluminum Alloy 6063/PC+ABS

Down Tube Materials: Aluminum Alloy 6061

TDM - TFH

Phoenix I Series

In-frame Battery Packs



Battery Mounting Position:



Down Tube Weight(kg): 3.36

YL-TFH1 鳳凰一號 (Colour: Black/Silver) * *Spring Lock*

Optional: N/A

Discharge port: 5 Pin

Charge port: DC2.1

Maximum Cells: 18650 39/ 40 pcs

LED indicator: 5 LED

Configurations: 13S3P/ 10S4P

Rate: 6.6Ah - 10.5Ah/ 8.8Ah - 14.0Ah

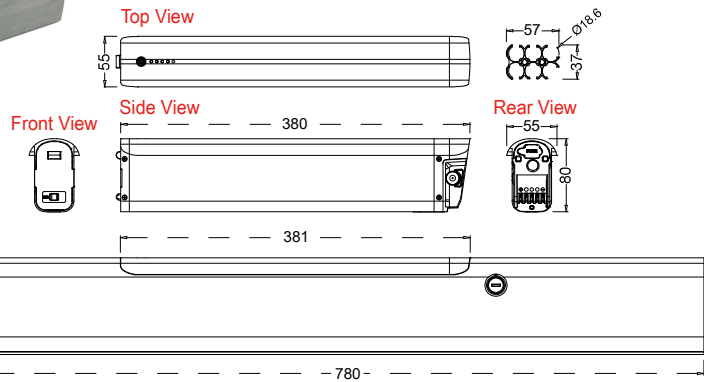
Battery Materials: Aluminum Alloy 6063/PC+ABS

Down Tube Materials: Aluminum Alloy 6061

In-frame Battery Packs

Phoenix II Series

TFH - TFT



Battery Mounting Position:



Down Tube Weight(kg): 3.36

YL-TFH2 鳳凰二號 (Colour: Black/Silver) * *Spring Lock* Optional: N/A

Discharge port: 5 Pin

Charge port: DC2.1

Maximum Cells: 18650 30 pcs

LED indicator: 5 LED

Configurations: 10S3P

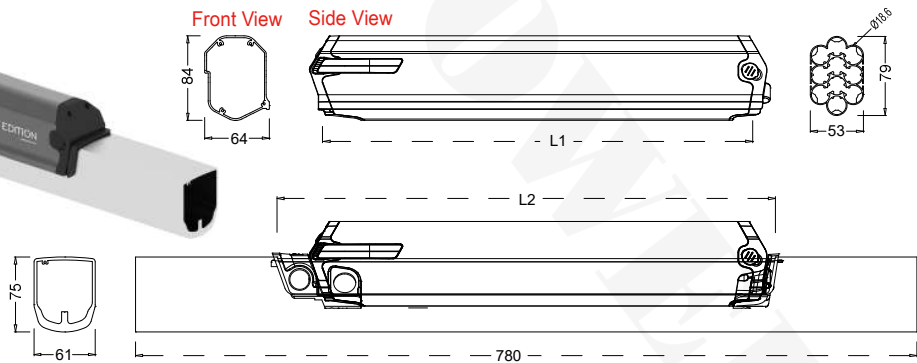
Rate: 6.6Ah - 10.5Ah

Battery Materials: Aluminum Alloy 6063/PC+ABS

Down Tube Materials: Aluminum Alloy 6061

In-frame Battery Packs

Feng Tian I Series



Battery Mounting Position:



	Item	50cell(18650)	40cell(18650)
L1	Aluminum case	L1=432.5mm	L1=368.5mm
L2	Tube cutting	L2=497.3mm	L2=433.3mm

SS-TFT1 豐田一號

NEW

Optional: Handle Bar

Discharge port: 5/ 6 Pin

Charge port: DC2.1

Maximum Cells: 18650 50/ 40 pcs

LED indicator: Single LED (Tricolor)

Configurations: 10S5P/ 10S4P

Rate: 11.0Ah - 17.5Ah/ 8.8Ah - 14.0Ah

Battery Materials: Aluminum Alloy 6063/PC+ABS

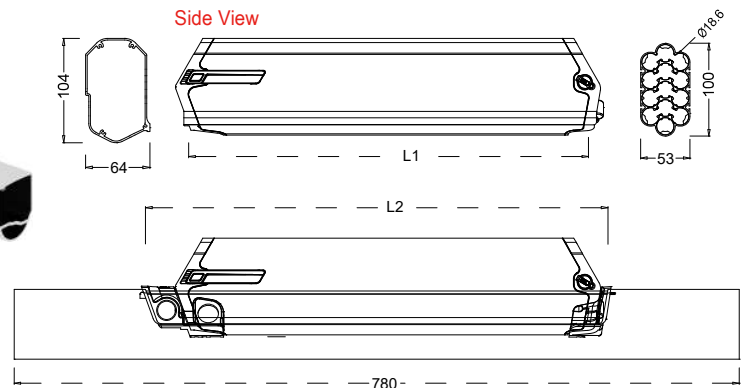
Down Tube Materials: Aluminum Alloy 6061

Feng Tian II Series

In-frame Battery Packs



4A fast charger available, refer to P.115



Battery Mounting Position:



	Item	65cell(18650)	52cell(18650)
L1	Aluminum case	L1=431.9mm	L1=367.9mm
L2	Tube cutting	L2=497.3mm	L2=433.3mm

SS-TFT2 豐田二號

NEW

Optional: Handle Bar

Discharge port: 5/ 6 Pin

Charge port: DC2.1

Maximum Cells: 18650 65/ 52 pcs

LED indicator: 4 LED

Configurations: 13S5P/ 13S4P

Rate: 11.0Ah - 17.5Ah/ 8.8Ah - 14.0Ah

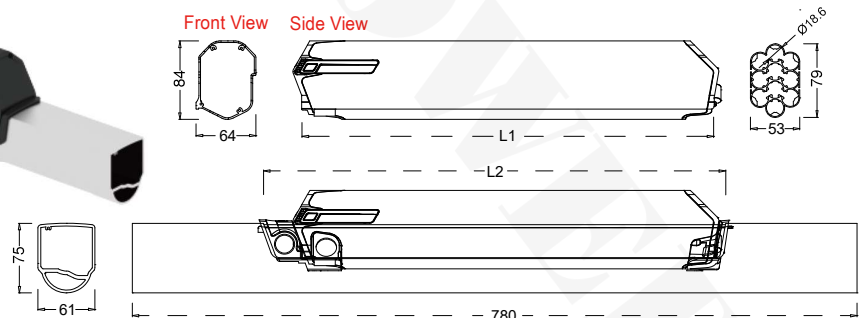
Battery Materials: Aluminum Alloy 6063/PC+ABS

Down Tube Materials: Aluminum Alloy 6061

TFT

Feng Tian III Series

In-frame Battery Packs



Battery Mounting Position:



	Item	50cell(18650)	40cell(18650)
L1	Aluminum case	L1=446.4mm	L1=382.4mm
L2	Tube cutting	L2=497.3mm	L2=433.3mm

SS-TFT3 豐田三號

NEW

Optional: Handle Bar

Discharge port: 5/ 6 Pin

Charge port: DC2.1

Maximum Cells: 18650 50/ 40 pcs

LED indicator: 4 LED

Configurations: 10S5P/ 10S4P

Rate: 11.0Ah - 17.5Ah/ 8.8Ah - 14.0Ah

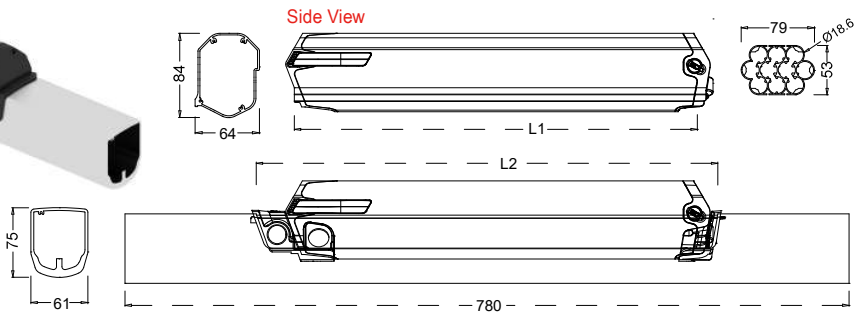
Battery Materials: Aluminum Alloy 6063/PC+ABS

Down Tube Materials: Aluminum Alloy 6061

In-frame Battery Packs

Feng Tian IV Series

TFT - TFY



Battery Mounting Position:



	Item	50cell(18650)	40cell(18650)
L1	Aluminum case	L1=440.1mm	L1=376.1mm
L2	Tube cutting	L2=497.3mm	L2=433.3mm

SS-TFT4 豐田四號 **NEW**

Discharge port: 5/ 6 Pin

Maximum Cells: 18650 50/ 40 pcs

Configurations: 10S5P/ 10S4P

Battery Materials: Aluminum Alloy 6063/PC+ABS

Optional: Handle Bar

Charge port: DC2.1

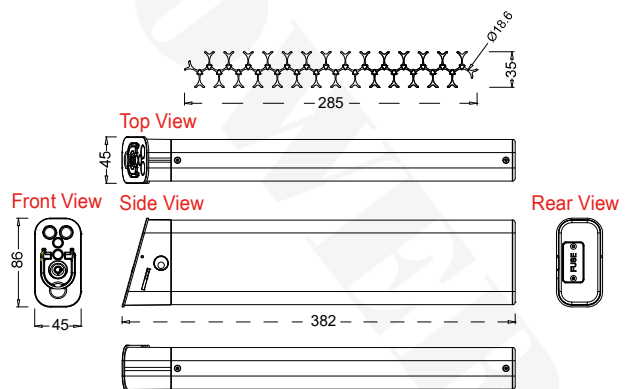
LED indicator: 4 LED

Rate: 11.0Ah - 17.5Ah/ 8.8Ah - 14.0Ah

Down Tube Materials: Aluminum Alloy 6061

In-frame Battery Packs

Flying Fish I Series



YL-TFY1 飛魚一號

Discharge port: 4 Pin

Maximum Cells: 18650 30/28 pcs

Configurations: 10S3P/ 7S4P

Battery Materials: Aluminum Alloy 6063/PC+ABS

Optional: N/A

Charge port: DC2.1 / DC2.5

LED indicator: N/A

Rate: 6.6Ah - 10.5Ah/ 8.8Ah - 14.0Ah

Down Tube Materials: Aluminum Alloy 6061

Wolf I Series

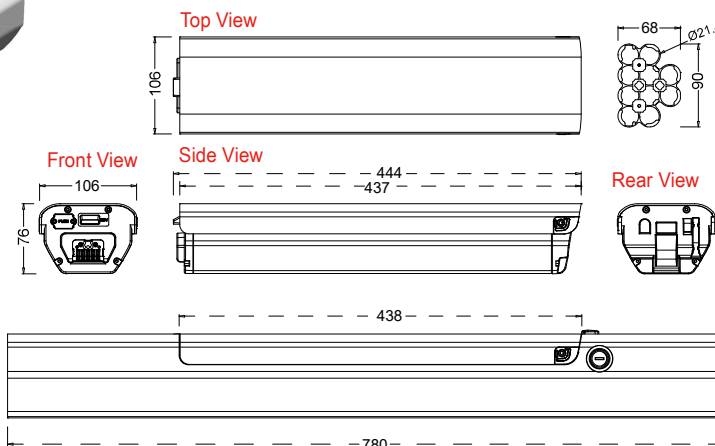
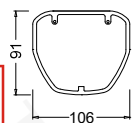
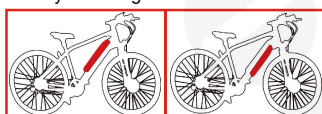
In-frame Battery Packs

21700 cell available



4A fast charger available, refer to P.115

Battery Mounting Position:



THL

YL-THL1 灰狼一號

NEW

Optional: N/A

Discharge port: 5 Pin

Charge port: DC2.1

Maximum Cells: 21700 39/ 50 pcs

LED indicator: 5 LED

Configurations: 13S3P/ 10S5P

Rate: 15.0Ah/ 25.0Ah

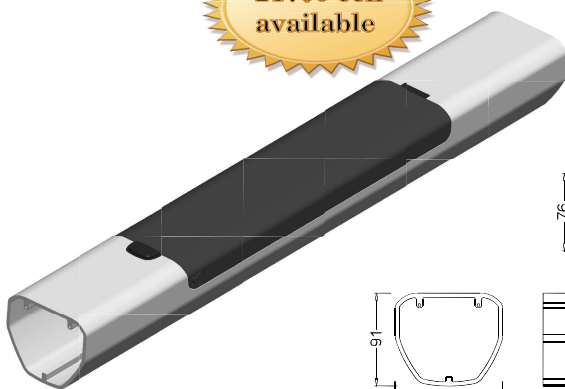
Battery Materials: Aluminum Alloy 6063/PC+ABS

Down Tube Materials: Aluminum Alloy 6061

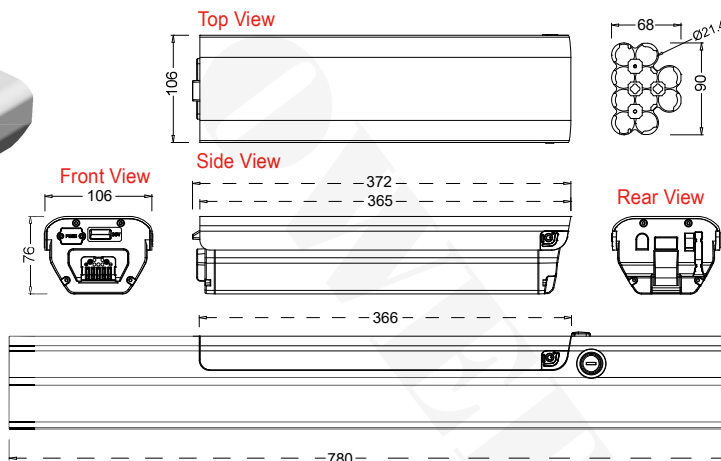
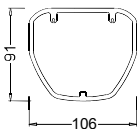
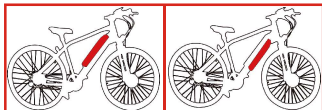
Wolf II Series

In-frame Battery Packs

21700 cell available



Battery Mounting Position:



YL-THL2 灰狼二號

NEW

Optional: N/A

Discharge port: 5 Pin

Charge port: DC2.1

Maximum Cells: 21700 39/ 40 pcs

LED indicator: 5 LED

Configurations: 13S3P/ 10S4P

Rate: 15.0Ah/ 20.0Ah

Battery Materials: Aluminum Alloy 6063/PC+ABS

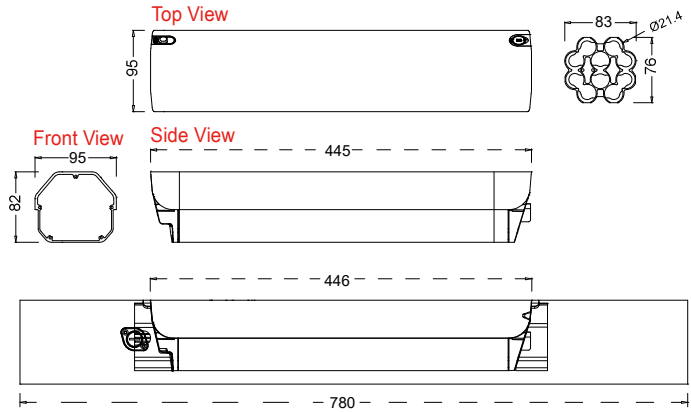
Down Tube Materials: Aluminum Alloy 6061

In-frame Battery Packs

Sea Lion I Series

THS

21700 cell available



Battery Mounting Position:



SS-THS1 海獅一號

NEW

Optional: N/A

Discharge port: 6 Pin

Charge port: DC2.1

Maximum Cells: 21700 50 pcs

LED indicator: Single LED (Tricolor)

Configurations: 10S5P

Rate: 25.0Ah

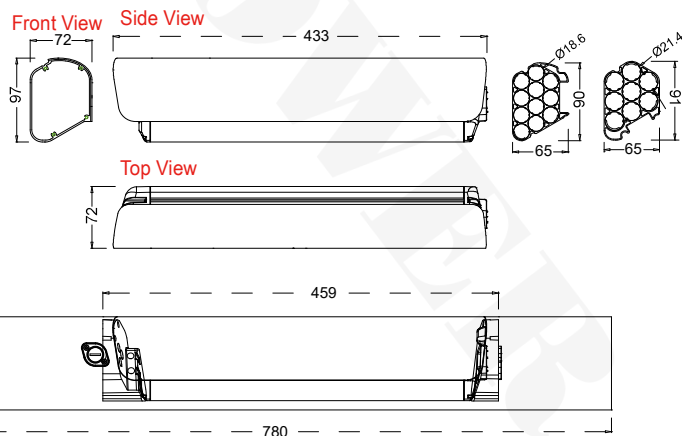
Battery Materials: Aluminum Alloy 6063/PC+ABS

Down Tube Materials: Aluminum Alloy 6061

In-frame Battery Packs

Sea Lion II Series

21700 cell available



Battery Mounting Position:



SS-THS2 海獅二號

NEW

Optional: N/A

Discharge port: 6 Pin

Charge port: DC2.1

Maximum Cells: 18650 52/50 pcs & 21700 40 pcs

LED indicator: Single LED (Tricolor)

Configurations: 13S4P/ 10S5P & 10S4P

Rate: 8.8Ah - 14.0Ah/ 11.0Ah - 17.5Ah & 20.0Ah

Battery Materials: Aluminum Alloy 6063/PC+ABS

Down Tube Materials: Aluminum Alloy 6061

Sea Moon-F Series

In-frame Battery Packs

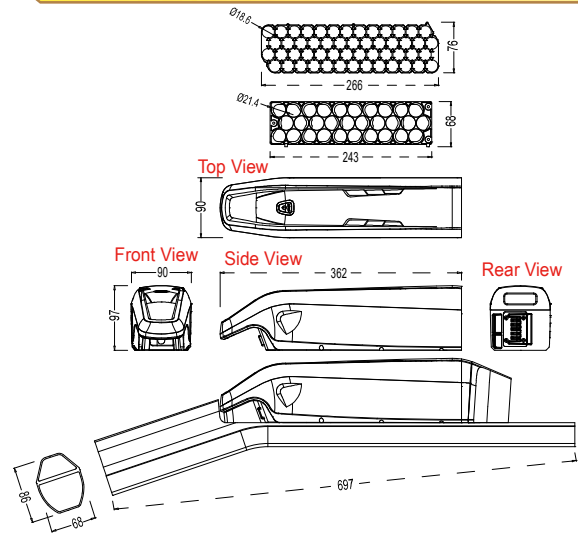
21700 cell available



4A fast charger available, refer to P.115



Battery Mounting Position:



THA - THT

SS-THA1 海月-F

NEW

Optional: N/A

Discharge port: 6 Pin

Charge port: DC2.1

Maximum Cells: 18650 52 pcs & 21700 30 pcs

LED indicator: Single LED (Tricolor)

Configurations: 13S4P & 10S3P

Rate: 8.8Ah - 14.0Ah & 15.0Ah

Battery Materials: Aluminum Alloy 6063/PC+ABS

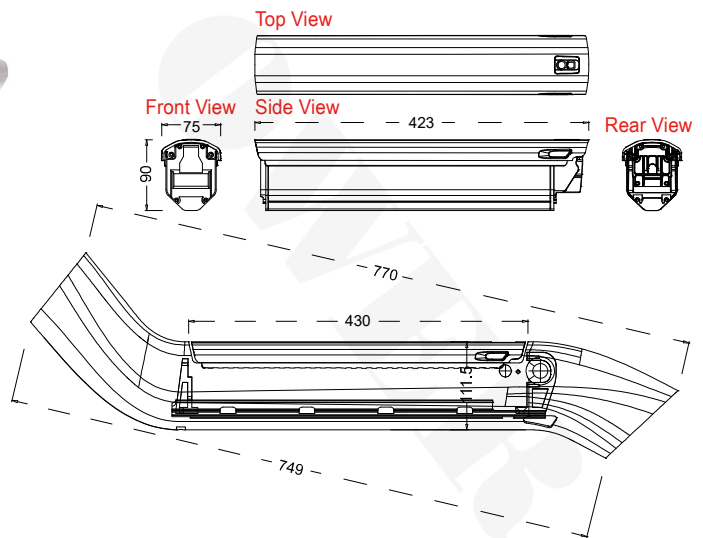
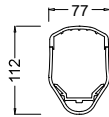
Down Tube Materials: Aluminum Alloy 6061

Dolphin I Series

In-frame Battery Packs



Battery Mounting Position:



SY-THT1 海豚一號

Optional: N/A

Discharge port: 4 Pin

Charge port: DC2.1

Maximum Cells: 18650 50 pcs

LED indicator: Single LED (Tricolor)

Configurations: 10S5P

Rate: 11.0Ah - 17.5Ah

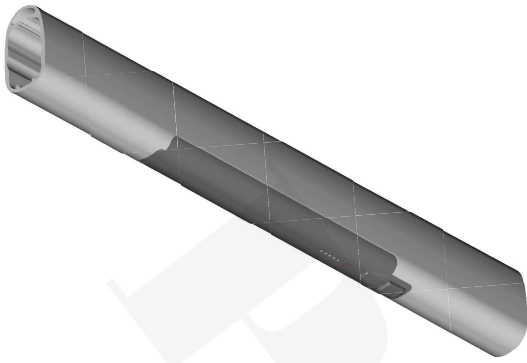
Battery Materials: Aluminum Alloy 6063/PC+ABS

Down Tube Materials: Aluminum Alloy 6061

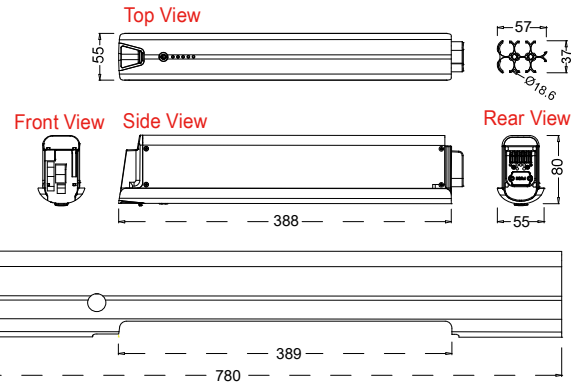
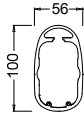
In-frame Battery Packs

Eagle I Series

THY



Battery Mounting Position:



YL-THY1 黑鷹一號

NEW

Optional: N/A

Discharge port: 7 Pin

Charge port: DC2.1

Maximum Cells: 18650 30 pcs

LED indicator: 5 LED

Configurations: 10S3P

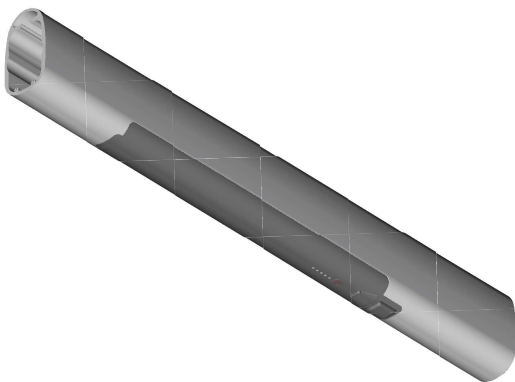
Rate: 6.6Ah - 10.5Ah

Battery Materials: Aluminum Alloy 6063/PC+ABS

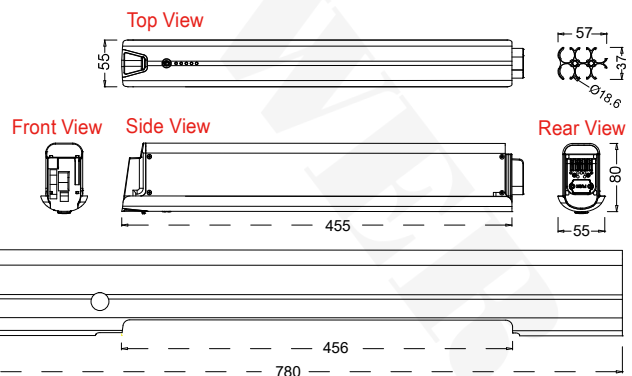
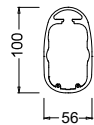
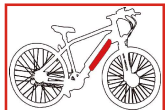
Down Tube Materials: Aluminum Alloy 6061

In-frame Battery Packs

Eagle II Series



Battery Mounting Position:



YL-THY2 黑鷹二號

NEW

Optional: N/A

Discharge port: 7 Pin

Charge port: DC2.1

Maximum Cells: 18650 39/ 40 pcs

LED indicator: 5 LED

Configurations: 13S3P/ 10S4P

Rate: 6.6Ah - 10.5Ah/ 8.8Ah - 14.0Ah

Battery Materials: Aluminum Alloy 6063/PC+ABS

Down Tube Materials: Aluminum Alloy 6061

Gerlon I Series

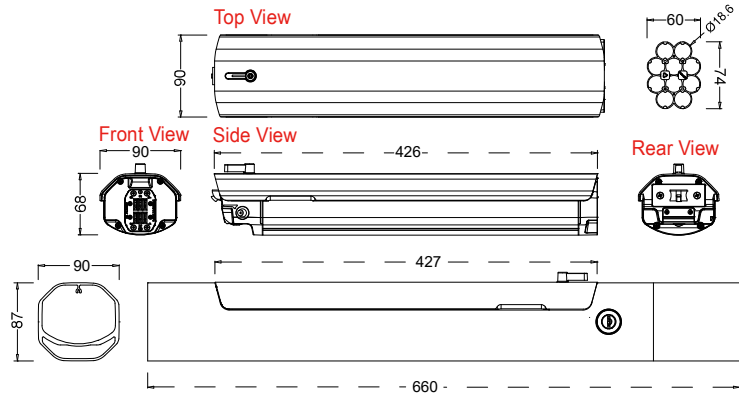
In-frame Battery Packs



4A fast charger available, refer to P.115



Battery Mounting Position:



TJA

RE-TJA1 蛟龍一號 **NEW**

Discharge port: 6 Pin

Maximum Cells: 18650 50 pcs

Configurations: 10S5P

Battery Materials: Aluminum Alloy 6063/PC+ABS

Optional: N/A

Charge port: DC2.1

LED indicator: Single LED (Tricolor)

Rate: 11.0Ah - 17.5Ah

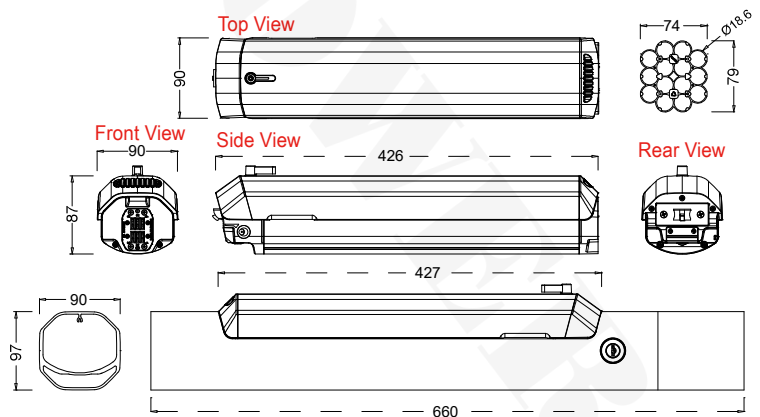
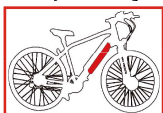
Down Tube Materials: Aluminum Alloy 6061

Gerlon II Series

In-frame Battery Packs



Battery Mounting Position:



RE-TJA2 蛟龍二號 **NEW**

Discharge port: 6 Pin

Maximum Cells: 18650 70 pcs

Configurations: 10S7P

Battery Materials: Aluminum Alloy 6063/PC+ABS

Optional: N/A

Charge port: DC2.1

LED indicator: Single LED (Tricolor)

Rate: 15.4Ah - 24.5Ah

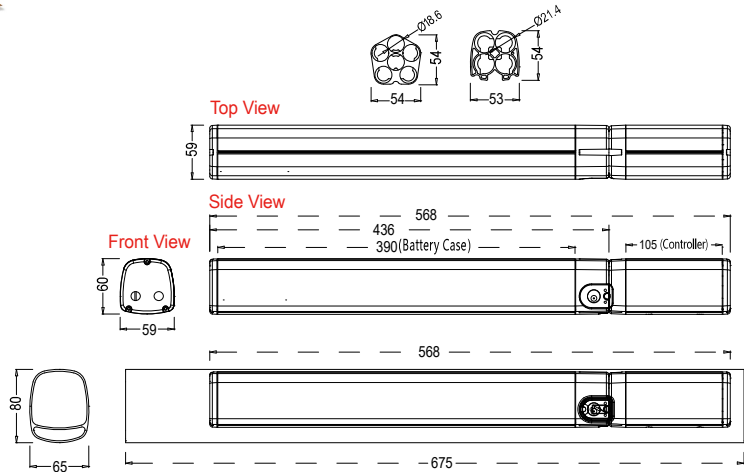
Down Tube Materials: Aluminum Alloy 6061

In-frame Battery Packs

Huge Loong I Series

TJL

21700 cell available

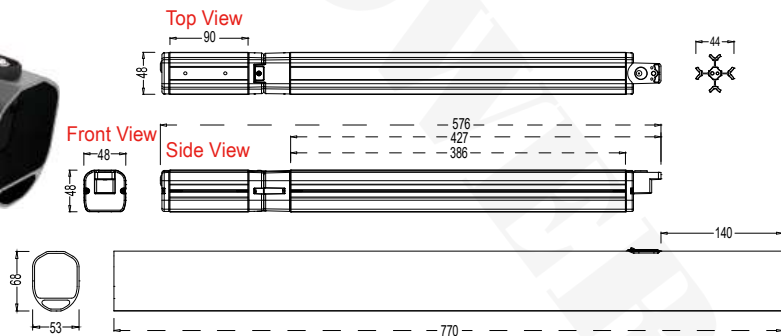


SS-TJL1 巨龍一號 NEW	Optional: N/A
Discharge port: 6 Pin	Charge port: DC2.1
Maximum Cells: 18650 30 pcs & 21700 20pcs	LED indicator: N/A
Configurations: 10S3P/ 10S2P	Rate: 6.6Ah - 10.5Ah & 10.0Ah
Battery Materials: Aluminum Alloy 6063/PC+ABS	Down Tube Materials: Aluminum Alloy 6061

In-frame Battery Packs

Huge Loong II Series

21700 cell available



SS-TJL2 巨龍二號 NEW	Optional: N/A
Discharge port: 2/ 5 Pin	Charge port: DC2.1
Maximum Cells: 21700 20 pcs	LED indicator: N/A
Configurations: 10S2P	Rate: 10.0Ah
Battery Materials: Aluminum Alloy 6063/PC+ABS	Down Tube Materials: Aluminum Alloy 6061

Dorado-Mini1 Series

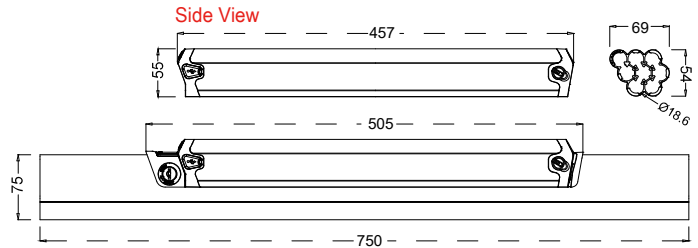
In-frame Battery Packs



4A fast charger available, refer to P.115



Battery Mounting Position:



TJY

RE-TJY1S 劍魚-Mini1

NEW

Optional: USB Port

Discharge port: 5 Pin

Charge port: DC2.1

Maximum Cells: 18650 40 pcs

LED indicator: Single LED (Tricolor)

Configurations: 10S4P

Rate: 8.8Ah - 14.0Ah

Battery Materials: Aluminum Alloy 6063/PC+ABS

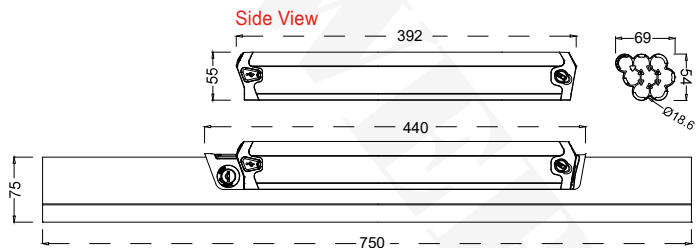
Down Tube Materials: Aluminum Alloy 6061

Dorado-Mini2 Series

In-frame Battery Packs



Battery Mounting Position:



RE-TJY2S 劍魚-Mini2

NEW

Optional: USB Port

Discharge port: 5 Pin

Charge port: DC2.1

Maximum Cells: 18650 30 pcs

LED indicator: Single LED (Tricolor)

Configurations: 10S3P

Rate: 6.6Ah - 10.5Ah

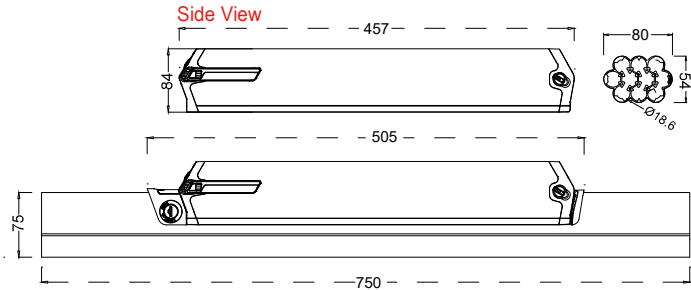
Battery Materials: Aluminum Alloy 6063/PC+ABS

Down Tube Materials: Aluminum Alloy 6061

In-frame Battery Packs

Dorado-Pro3 Series

TJY



Battery Mounting Position:



RE-TJY3P 劍魚-Pro3

NEW

Discharge port: 5 Pin

Maximum Cells: 18650 50 pcs

Configurations: 10S5P

Battery Materials: Aluminum Alloy 6063/PC+ABS

Optional: Handle Bar & USB Port

Charge port: DC2.1

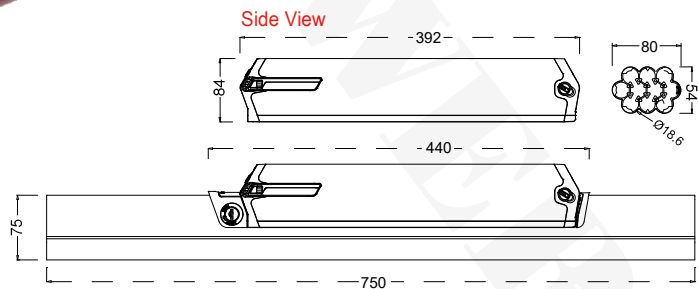
LED indicator: Single LED (Tricolor)

Rate: 11.0Ah - 17.5Ah

Down Tube Materials: Aluminum Alloy 6061

In-frame Battery Packs

Dorado-Pro4 Series



Battery Mounting Position:



RE-TJY4P 劍魚-Pro4

NEW

Discharge port: 5 Pin

Maximum Cells: 18650 40 pcs

Configurations: 10S4P

Battery Materials: Aluminum Alloy 6063/PC+ABS

Optional: Handle Bar & USB Port

Charge port: DC2.1

LED indicator: Single LED (Tricolor)

Rate: 8.8Ah - 14.0Ah

Down Tube Materials: Aluminum Alloy 6061

Dorado-Plus5 Series

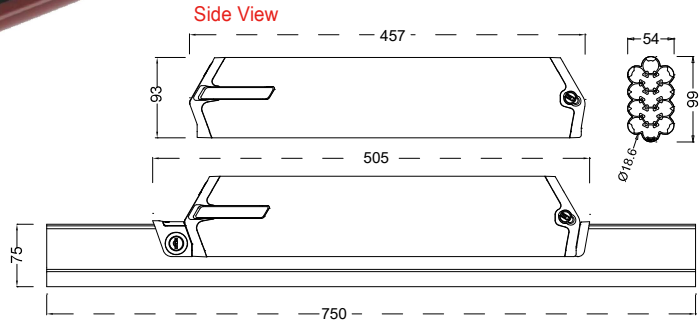
In-frame Battery Packs



4A fast charger available, refer to P.115



Battery Mounting Position:



TJY

RE-TJY5 劍魚-Plus5

NEW

Optional: Handle Bar & USB Port

Discharge port: 5 Pin

Charge port: DC2.1

Maximum Cells: 18650 65 pcs

LED indicator: 4 LED

Configurations: 13S5P

Rate: 11.0Ah - 17.5Ah

Battery Materials: Aluminum Alloy 6063/PC+ABS

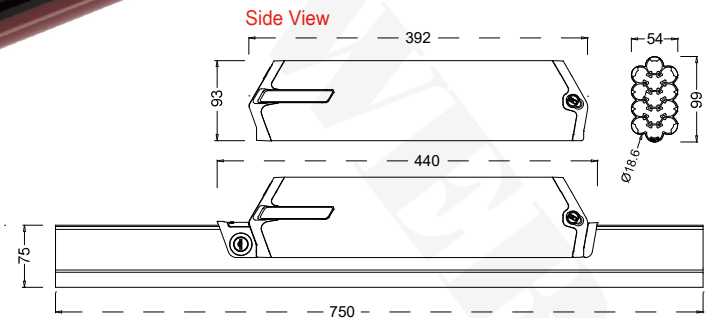
Down Tube Materials: Aluminum Alloy 6061

Dorado-Plus6 Series

In-frame Battery Packs



Battery Mounting Position:



RE-TJY6 劍魚-Plus6

NEW

Optional: Handle Bar & USB Port

Discharge port: 5 Pin

Charge port: DC2.1

Maximum Cells: 18650 52/ 50 pcs

LED indicator: 4 LED

Configurations: 13S4P/ 10S5P

Rate: 8.8Ah - 14.0Ah/ 11.0Ah - 17.5Ah

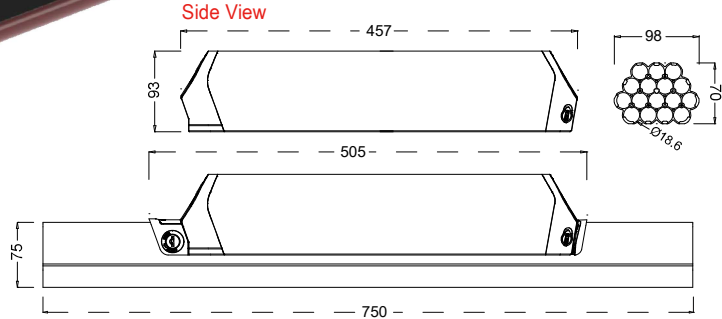
Battery Materials: Aluminum Alloy 6063/PC+ABS

Down Tube Materials: Aluminum Alloy 6061

In-frame Battery Packs

Dorado-Max7 Series

TJY



Battery Mounting Position:



RE-TJY7M 劍魚-Max7

NEW

Optional: USB Port

Discharge port: 5 Pin

Charge port: DC2.1

Maximum Cells: 18650 80 pcs

LED indicator: 4 LED

Configurations: 10S8P

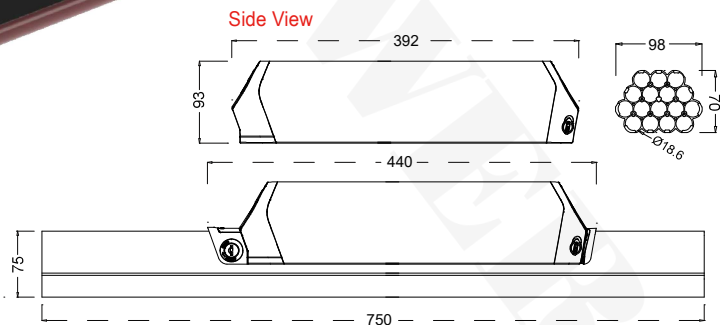
Rate: 17.6Ah - 28.0Ah

Battery Materials: Aluminum Alloy 6063/PC+ABS

Down Tube Materials: Aluminum Alloy 6061

In-frame Battery Packs

Dorado-Max8 Series



Battery Mounting Position:



RE-TJY8M 劍魚-Max8

NEW

Optional: USB Port

Discharge port: 5 Pin

Charge port: DC2.1

Maximum Cells: 18650 60 pcs

LED indicator: 4 LED

Configurations: 10S6P

Rate: 13.2Ah - 21.0Ah

Battery Materials: Aluminum Alloy 6063/PC+ABS

Down Tube Materials: Aluminum Alloy 6061

Air Bus I Series

In-frame Battery Packs



4A fast charger available, refer to P.115

Tube 1



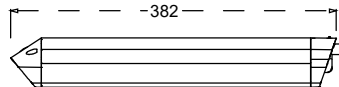
Tube 2



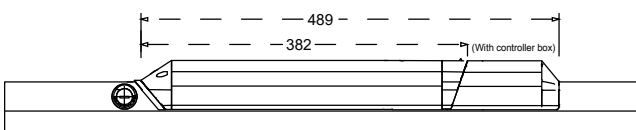
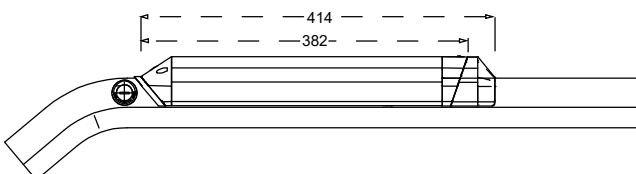
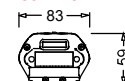
Battery Mounting Position:



Side View



Rear View



TKB - TLA

HY-TKB1 空中巴士一號

NEW

Discharge port: 5 Pin

Maximum Cells: 18650 50 pcs

Configurations: 10S5P

Battery Materials: Aluminum Alloy 6063/PC+ABS

Optional: N/A

Charge port: DC2.1

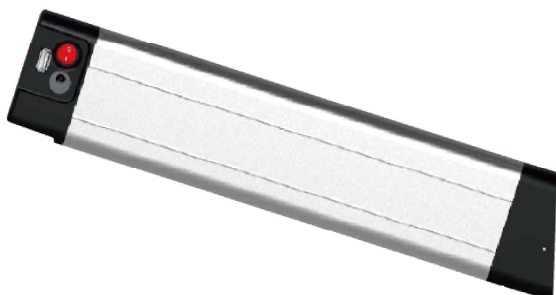
LED indicator: 4 LED

Rate: 11.0Ah - 17.5Ah

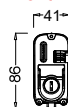
Down Tube Materials: Aluminum Alloy 6061

Edge I Series

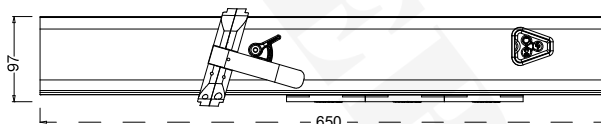
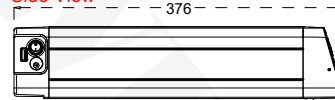
In-frame Battery Packs



Front View



Side View



RE-TLA1 利刃一號

Discharge port: 2 Pin

Maximum Cells: 18650 30 pcs

Configurations: 10S3P

Battery Materials: Aluminum Alloy 6063/PC+ABS

Optional: USB Port

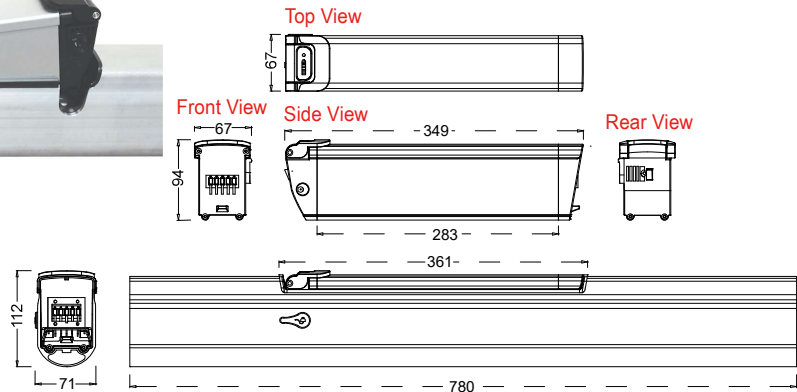
Charge port: DC2.1

LED indicator: N/A

Rate: 6.6Ah - 10.5Ah

Down Tube Materials: Aluminum Alloy 6061

TLB - TLJ



Battery Mounting Position:



Down Tube Weight(kg): 2.7

SS-TLB1 廬山一號 * *Spring Lock*

Optional: N/A

Discharge port: 5 Pin

Charge port: DC2.1

Maximum Cells: 18650 39/ 40 pcs

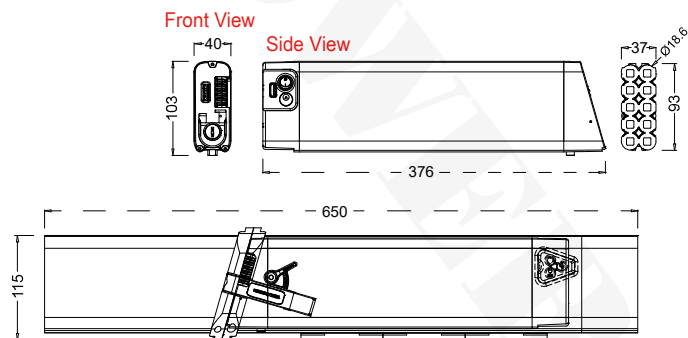
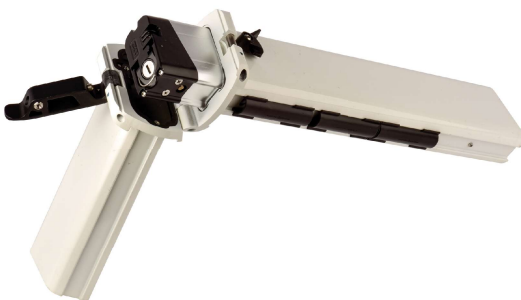
LED indicator: 4 LED

Configurations: 13S3P/ 10S4P

Rate: 6.6Ah - 10.5Ah/ 8.8Ah - 14.0Ah

Battery Materials: Aluminum Alloy 6063/PC+ABS

Down Tube Materials: Aluminum Alloy 6061



RE-TLJ1 利劍一號

Optional: USB Port

Discharge port: 6 Pin

Charge port: DC2.1

Maximum Cells: 18650 40 pcs

LED indicator: N/A

Configurations: 10S4P

Rate: 8.8Ah - 14.0Ah

Battery Materials: Aluminum Alloy 6063/PC+ABS

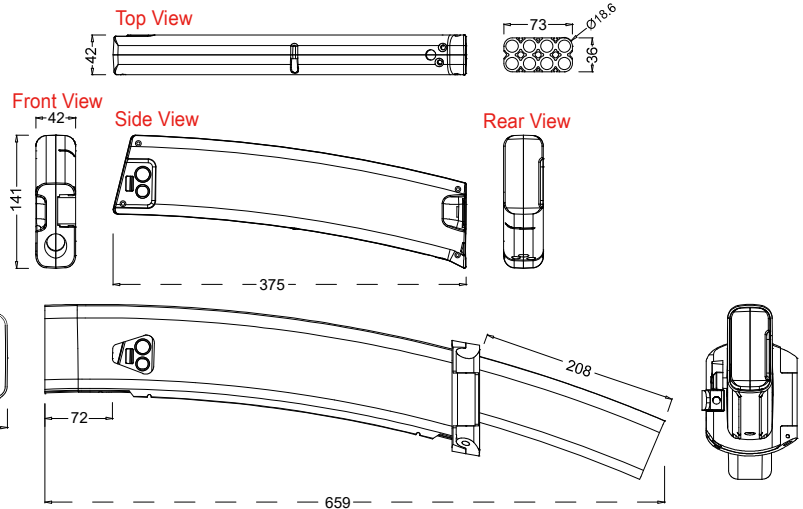
Down Tube Materials: Aluminum Alloy 6061

Blade I Series

In-frame Battery Packs



4A fast charger available, refer to P.115



TLR-TLS

SS-TLR1 獵刀一號 **NEW**

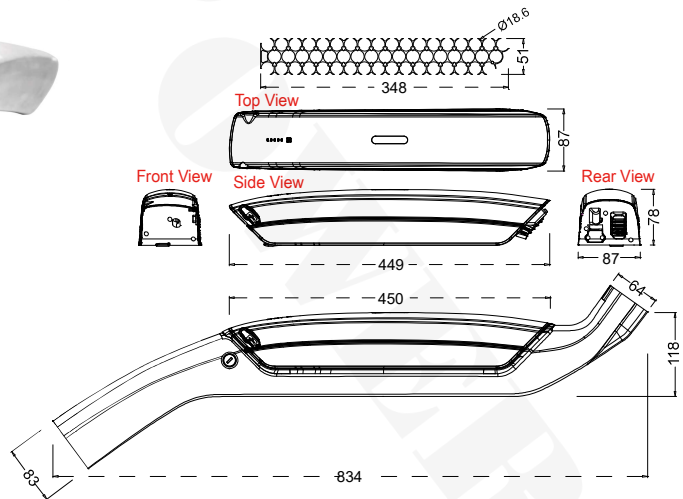
Discharge port: 5 Pin	Optional: USB Port
Maximum Cells: 18650 30 pcs	Charge port: DC2.1
Configurations: 10S3P	LED indicator: N/A
Battery Materials: Aluminum Alloy 6063/PC+ABS	Rate: 6.6Ah - 10.5Ah
	Down Tube Materials: Aluminum Alloy 6061

Razer I Series

In-frame Battery Packs



Battery Mounting Position:



Down Tube Weight(kg): 1.8

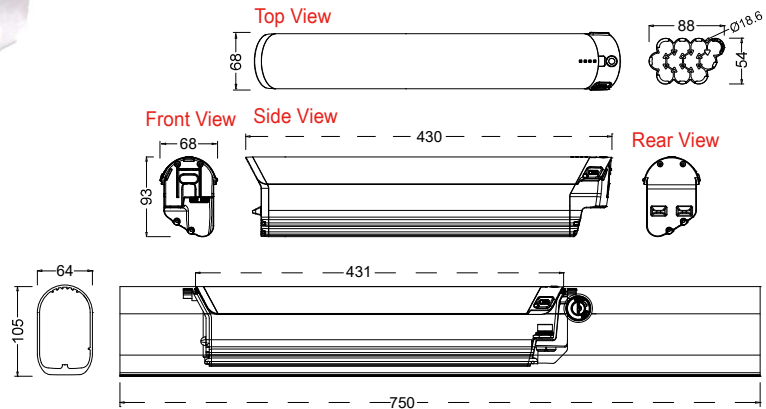
YL-TLS1 雷蛇一號 * Spring Lock

Discharge port: 5 Pin	Optional: USB Port
Maximum Cells: 18650 52/50 pcs	Charge port: DC2.1
Configurations: 13S4P / 10S5P	LED indicator: 5 LED
Battery Materials: Aluminum Alloy 6063/PC+ABS	Rate: 8.8Ah - 14.0Ah/ 11.0Ah - 17.5Ah
	Down Tube Materials: Aluminum Alloy 6061

TMY



Battery Mounting Position:



RE-TMY1P 鰻魚 Pro1

Optional: N/A

Discharge port: 6 Pin

Charge port: DC2.1

Maximum Cells: 18650 52/ 50 pcs

LED indicator: Single LED (Tricolor)

Configurations: 13S4P/ 10S5P

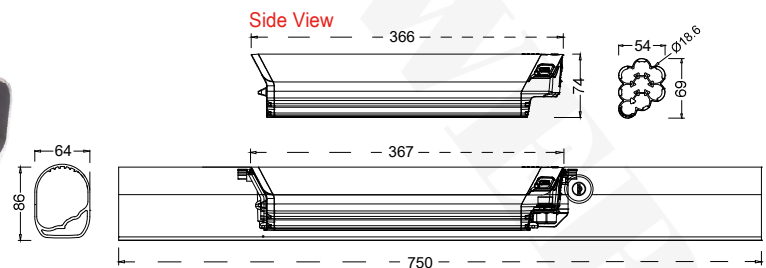
Rate: 8.8Ah - 14.0Ah/ 11.0Ah - 17.5Ah

Battery Materials: Aluminum Alloy 6063/PC+ABS

Down Tube Materials: Aluminum Alloy 6061



Battery Mounting Position:



Down Tube Weight(kg): 1.6

RE-TMY1S 鰻魚 Mini1

Optional: N/A

Discharge port: 6 Pin

Charge port: DC2.1

Maximum Cells: 18650 30 pcs

LED indicator: Single LED (Tricolor)

Configurations: 10S3P

Rate: 6.6Ah - 10.5Ah

Battery Materials: Aluminum Alloy 6063/PC+ABS

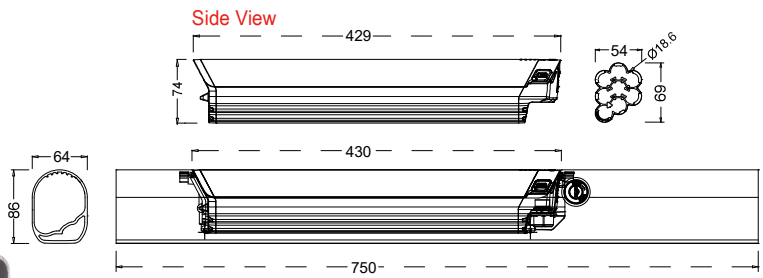
Down Tube Materials: Aluminum Alloy 6061

Eel Mini2 Series

In-frame Battery Packs



4A fast charger available, refer to P.115



Battery Mounting Position:



Down Tube Weight(kg): 1.6

RE-TMY2S 鰻魚 Mini2	Optional: N/A
Discharge port: 6 Pin	Charge port: DC2.1
Maximum Cells: 18650 40 pcs	LED indicator: Single LED (Tricolor)
Configurations: 10S4P	Rate: 8.8Ah - 14.0Ah
Battery Materials: Aluminum Alloy 6063/PC+ABS	Down Tube Materials: Aluminum Alloy 6061

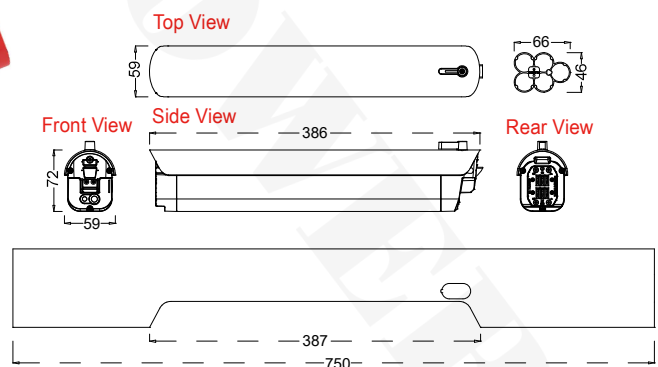
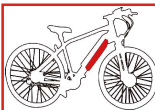
TMY

Eel Micro-U Series

In-frame Battery Packs



Battery Mounting Position:

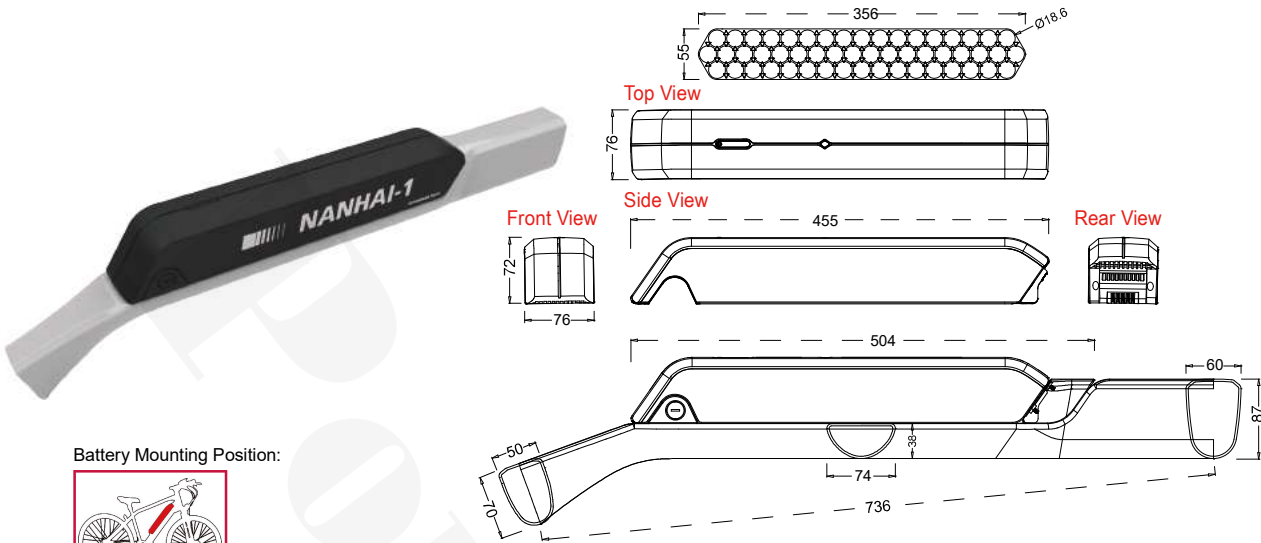


RE-TMYU 鰻魚 Micro-U	Optional: N/A
Discharge port: 6 Pin	Charge port: DC2.1
Maximum Cells: 21700 20 pcs	LED indicator: Single LED (Tricolor)
Configurations: 10S2P	Rate: 10.0Ah
Battery Materials: Aluminum Alloy 6063/PC+ABS	Down Tube Materials: Aluminum Alloy 6061

In-frame Battery Packs

Nan Hai I Series

TNH



Battery Mounting Position:



SS-TNH1 南海一號 * Spring Lock

NEW

Optional: N/A

Discharge port: 5 Pin

Charge port: DC2.1

Maximum Cells: 18650 52/ 50 pcs

LED indicator: 5 LED

Configurations: 13S4P/ 10S5P

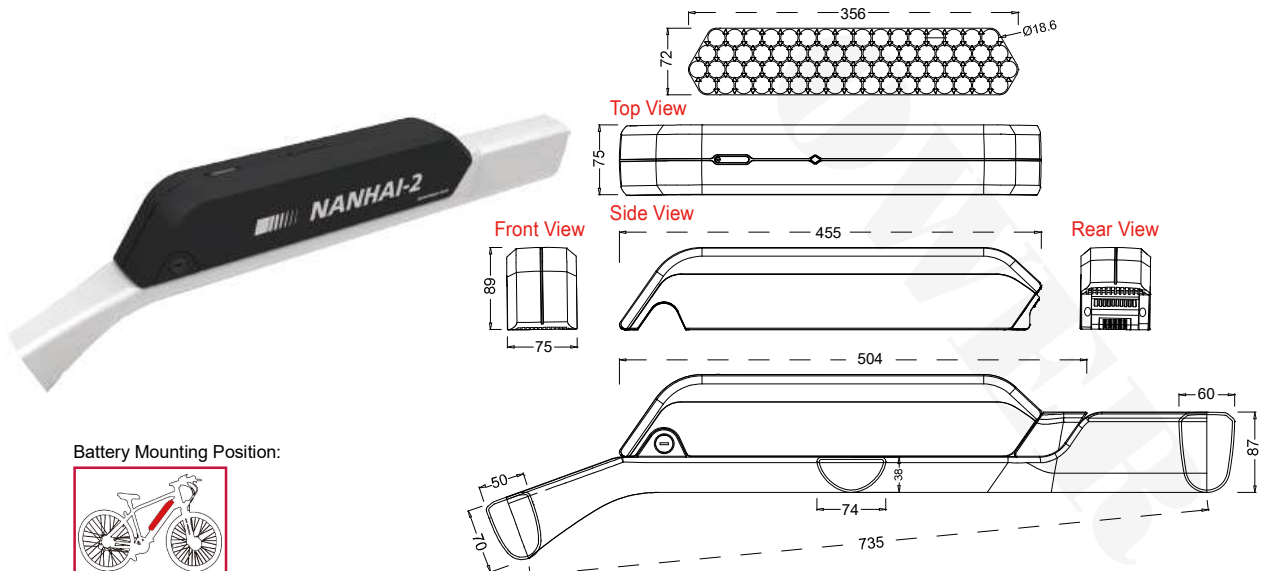
Rate: 8.8Ah - 14.0Ah/ 11.0Ah - 17.5Ah

Battery Materials: Aluminum Alloy 6063/PC+ABS

Down Tube Materials: Aluminum Alloy 6061

In-frame Battery Packs

Nan Hai II Series



Battery Mounting Position:



SS-TNH2 南海二號 * Spring Lock

NEW

Optional: N/A

Discharge port: 5 Pin

Charge port: DC2.1

Maximum Cells: 18650 65/ 60 pcs

LED indicator: 5 LED

Configurations: 13S5P/ 10S6P

Rate: 11.0Ah - 17.5Ah/ 13.2Ah - 21.0Ah

Battery Materials: Aluminum Alloy 6063/PC+ABS

Down Tube Materials: Aluminum Alloy 6061

South Pacific I Series

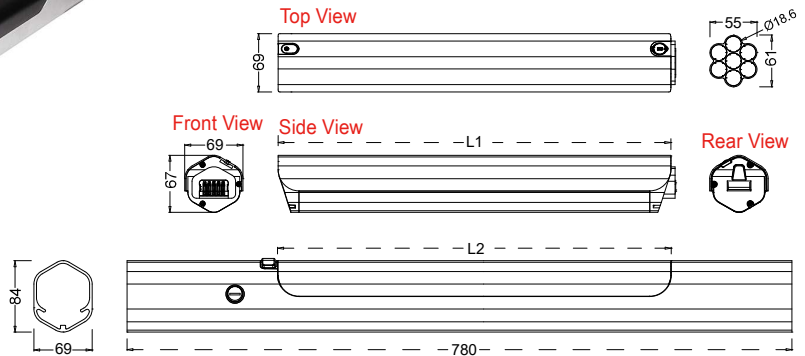
In-frame Battery Packs



4A fast charger available, refer to P.115



Battery Mounting Position:



	Item	40cell(18650)	30cell(18650)
L1	Aluminum case	L1=460.6mm	L1=393.6mm
L2	Tube cutting	L2=461.6mm	L2=394.6mm

SS-TNY1 南洋一號

Optional: N/A

Discharge port: 5 Pin

Charge port: DC2.1

Maximum Cells: 18650 40/ 30 pcs

LED indicator: Single LED (Tricolor)

Configurations: 10S4P/ 10S3P

Rate: 8.8Ah - 14.0Ah/ 6.6Ah- 10.5Ah

Battery Materials: Aluminum Alloy 6063/PC+ABS

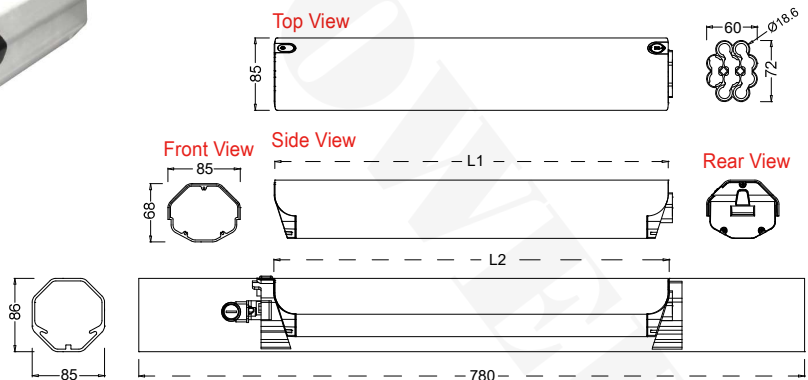
Down Tube Materials: Aluminum Alloy 6061

South Pacific II Series

In-frame Battery Packs



Battery Mounting Position:



	Item	60cell(18650)	50cell(18650)
L1	Aluminum case	L1=460.6mm	L1=393.6mm
L2	Tube cutting	L2=461.6mm	L2=394.6mm

SS-TNY2 南洋二號 (YL-TTP2)

Optional: N/A

Discharge port: 5 Pin

Charge port: DC2.1

Maximum Cells: 18650 60/ 50 pcs

LED indicator: Single LED (Tricolor)

Configurations: 10S6P/ 10S5P

Rate: 13.2Ah - 21.0Ah/ 11.0Ah - 17.5Ah

Battery Materials: Aluminum Alloy 6063/PC+ABS

Down Tube Materials: Aluminum Alloy 6061

TNY

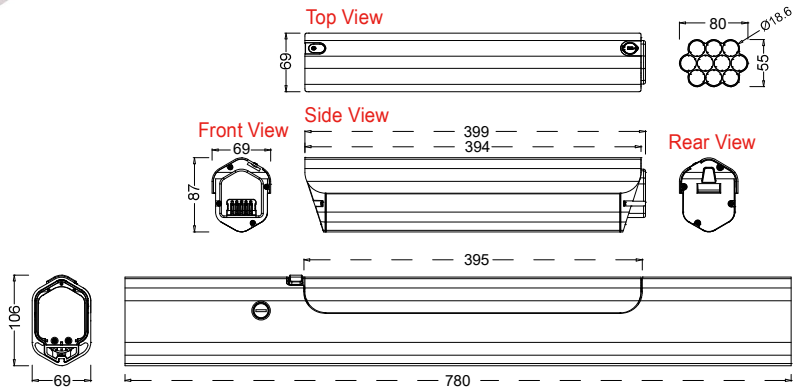
In-frame Battery Packs

South Pacific III Series

TNY



Battery Mounting Position:



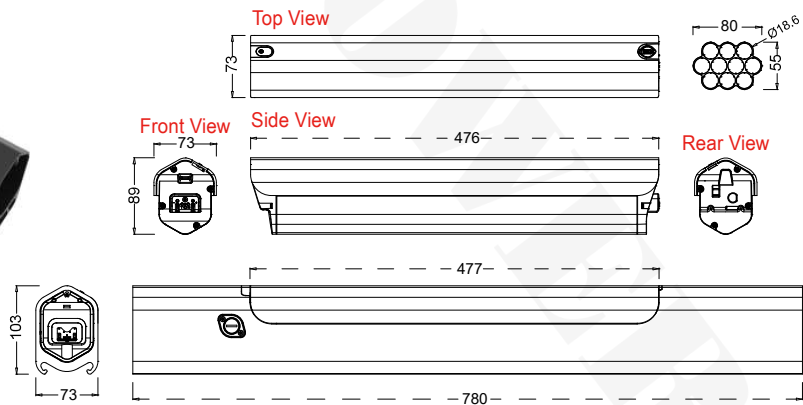
SS-TNY3 南洋三號	Optional: N/A
Discharge port: 5 Pin	Charge port: DC2.1
Maximum Cells: 18650 50 pcs	LED indicator: Single LED (Tricolor)
Configurations: 10S5P	Rate: 11.0Ah - 17.5Ah
Battery Materials: Aluminum Alloy 6063/PC+ABS	Down Tube Materials: Aluminum Alloy 6061

In-frame Battery Packs

South Pacific III-H1 Series



Battery Mounting Position:



SS-TNY3H1 南洋三號加厚1 (YL-TTPL) NEW	Optional: N/A
Discharge port: 5 Pin	Charge port: DC2.1
Maximum Cells: 18650 60 pcs	LED indicator: Single LED (Tricolor)
Configurations: 10S6P	Rate: 13.2Ah - 21.0Ah
Battery Materials: Aluminum Alloy 6063/PC+ABS	Down Tube Materials: Aluminum Alloy 6061

South Pacific III-H2 Series

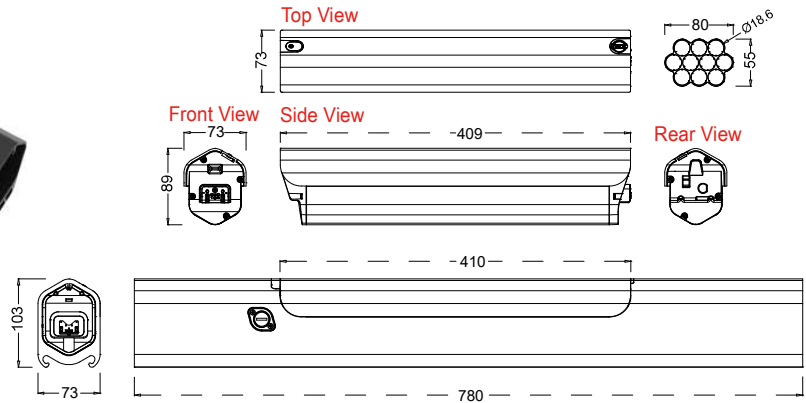
In-frame Battery Packs



4A fast charger available, refer to P.115



Battery Mounting Position:



TNY

SS-TNY3H2 南洋三號加厚2 (YL-TTPN)

NEW

Optional: N/A

Discharge port: 5 Pin

Charge port: DC2.1

Maximum Cells: 18650 50 pcs

LED indicator: Single LED (Tricolor)

Configurations: 10S5P

Rate: 11.0Ah - 17.5Ah

Battery Materials: Aluminum Alloy 6063/PC+ABS

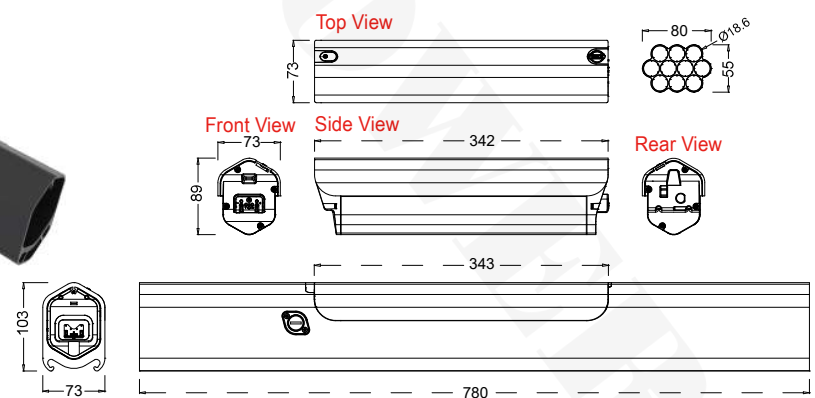
Down Tube Materials: Aluminum Alloy 6061

South Pacific III-H3 Series

In-frame Battery Packs



Battery Mounting Position:



SS-TNY3H3 南洋三號加厚3 (YL-TTPM)

NEW

Optional: N/A

Discharge port: 6 Pin

Charge port: DC2.1

Maximum Cells: 18650 40 pcs

LED indicator: Single LED (Tricolor)

Configurations: 10S4P

Rate: 8.8Ah - 14.0Ah

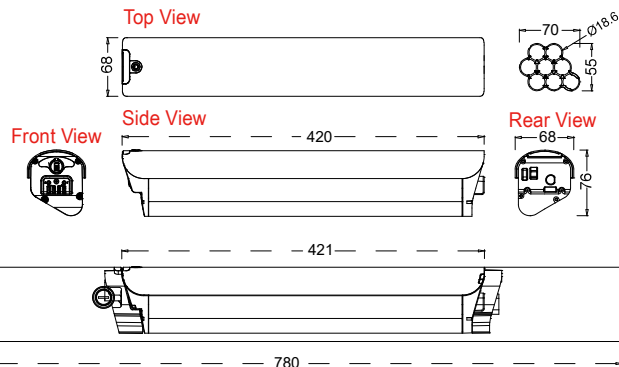
Battery Materials: Aluminum Alloy 6063/PC+ABS

Down Tube Materials: Aluminum Alloy 6061

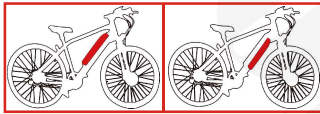
In-frame Battery Packs

South Pacific IV Series

TNY



Battery Mounting Position:



SS-TNY4 南洋四號

Discharge port: 6 Pin

Maximum Cells: 18650 40 pcs

Configurations: 10S4P

Battery Materials: Aluminum Alloy 6063/PC+ABS

Optional: N/A

Charge port: DC2.1

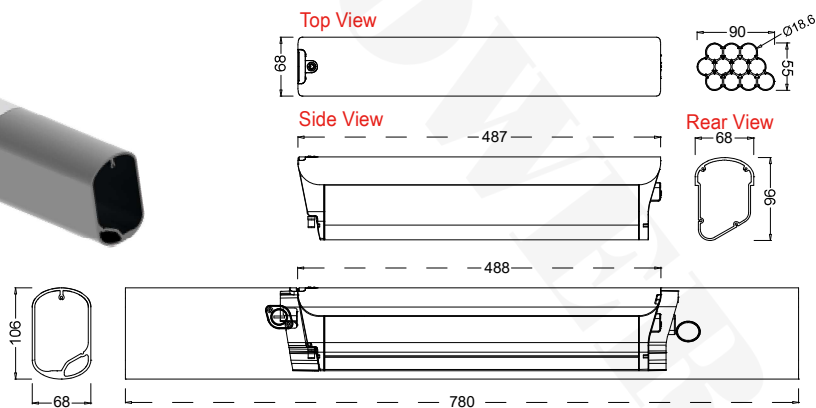
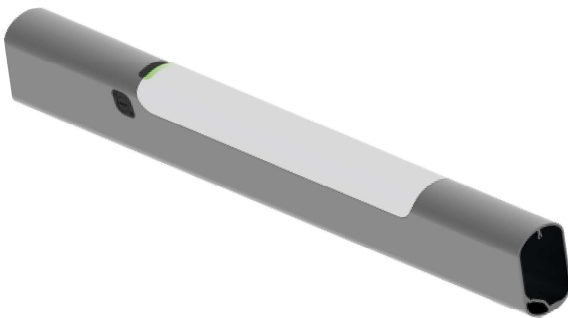
LED indicator: Single LED (Tricolor)

Rate: 8.8Ah - 14.0Ah

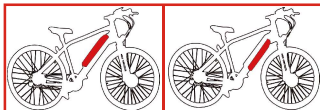
Down Tube Materials: Aluminum Alloy 6061

In-frame Battery Packs

South Pacific IV-Pro1 Series



Battery Mounting Position:



SS-TNY4P1 南洋四號 Pro1

NEW

Discharge port: 6 Pin

Maximum Cells: 18650 65/60 pcs

Configurations: 13S5P/10S6P

Battery Materials: Aluminum Alloy 6063/PC+ABS

Optional: N/A

Charge port: DC2.1

LED indicator: Single LED (Tricolor)

Rate: 11.0Ah - 17.5Ah/ 13.2Ah - 21.0Ah

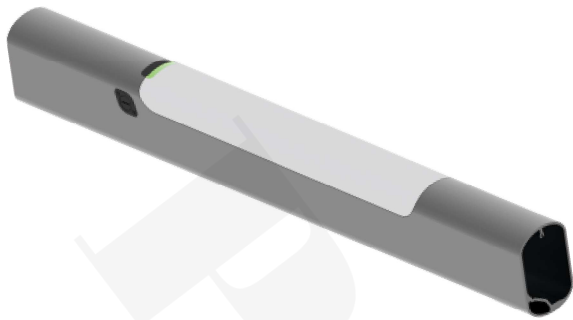
Down Tube Materials: Aluminum Alloy 6061

South Pacific IV-Pro2 Series

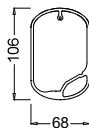
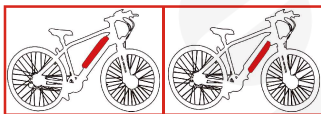
In-frame Battery Packs



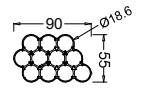
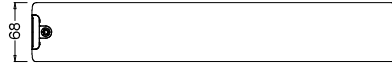
4A fast charger available, refer to P.115



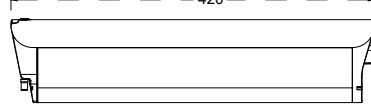
Battery Mounting Position:



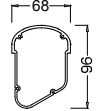
Top View



Side View



Rear View



TNY - TQL

SS-TNY4P2 南洋四號 Pro2

NEW

Optional: N/A

Discharge port: 6 Pin

Charge port: DC2.1

Maximum Cells: 18650 52/ 50 pcs

LED indicator: Single LED (Tricolor)

Configurations: 13S4P/ 10S5P

Rate: 8.8Ah - 14.0Ah/ 11.0Ah - 17.5Ah

Battery Materials: Aluminum Alloy 6063/PC+ABS

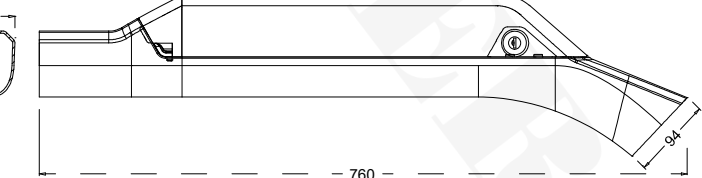
Down Tube Materials: Aluminum Alloy 6061

Kirin I Series

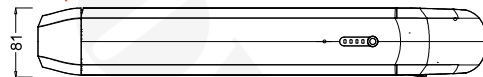
In-frame Battery Packs



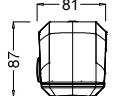
Battery Mounting Position:



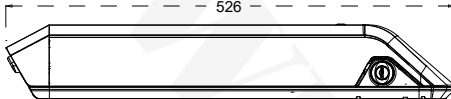
Top View



Front View



Side View



Rear View



RE-TQL1 麒麟一號

NEW

Optional: N/A

Discharge port: 6 Pin

Charge port: DC2.1

Maximum Cells: 18650 52/ 50 pcs

LED indicator: 4 LED

Configurations: 13S4P/ 10S5P

Rate: 8.8Ah - 14.0Ah/ 11.0Ah - 17.5Ah

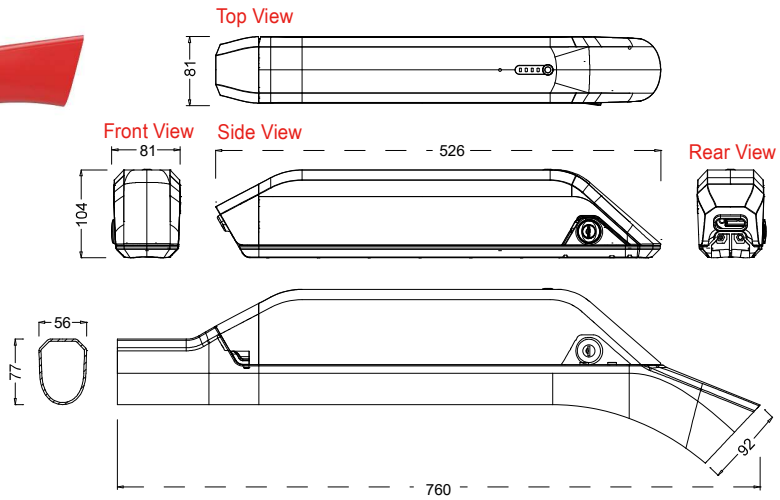
Battery Materials: PC+ABS

Down Tube Materials: Aluminum Alloy 6061

In-frame Battery Packs

Kirin II Series

TQL - TQN



Battery Mounting Position:



RE-TQL2 麒麟二號

NEW

Optional: N/A

Discharge port: 6 Pin

Charge port: DC2.1

Maximum Cells: 18650 65/ 70 pcs

LED indicator: 4 LED

Configurations: 13S5P/ 10S7P

Rate: 11.0Ah - 17.5Ah/ 15.4Ah - 24.5Ah

Battery Materials: PC+ABS

Down Tube Materials: Aluminum Alloy 6061

In-frame Battery Packs

Youth I Series



Battery Mounting Position:



SY-TQN1 青年一號

NEW

Optional: N/A

Discharge port: 6 Pin

Charge port: DC2.1

Maximum Cells: 18650 52/ 50pcs

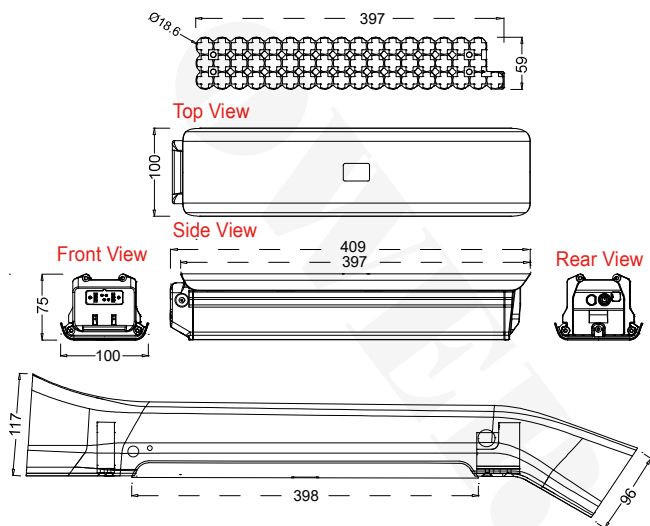
LED indicator: Single LED (Tricolor)

Configurations: 13S4P/ 10S5P

Rate: 8.8Ah - 14.0Ah/ 11.0Ah - 17.5Ah

Battery Materials: Aluminum Alloy 6063/PC+ABS

Down Tube Materials: Aluminum Alloy 6061

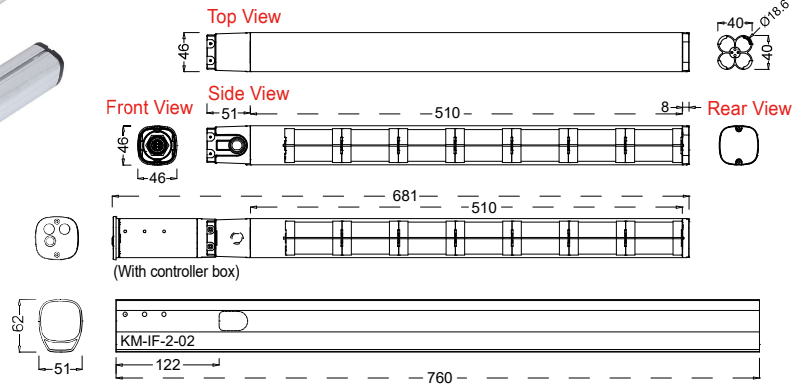


Dragonfly II Series

In-frame Battery Packs



4A fast charger available, refer to P.115



TQT

RE-TQT2 蜻蜓二號

Optional: N/A

Discharge port: 2 Pin/ 6 Pin

Charge port: DC2.5

Maximum Cells: 18650 28 pcs

LED indicator: N/A

Configurations: 7S4P

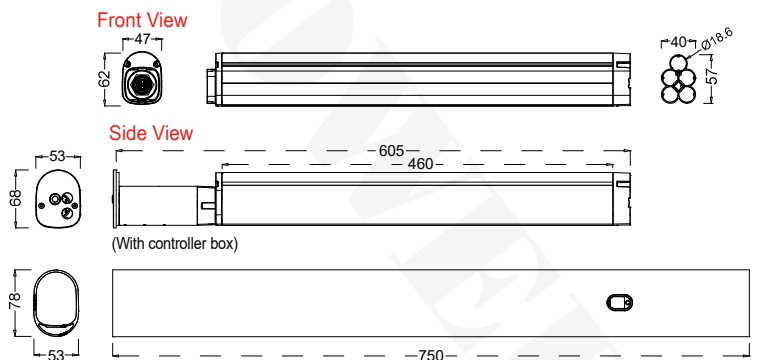
Rate: 8.8Ah - 14.0Ah

Battery Materials: Aluminum Alloy 6063/PC+ABS

Down Tube Materials: Aluminum Alloy 6061

Dragonfly III Series

In-frame Battery Packs



RE-TQT3 蜻蜓三號

Optional: N/A

Discharge port: 2 Pin/ 6 Pin

Charge port: DC2.1/ DC 2.5

Maximum Cells: 18650 30/ 28 pcs

LED indicator: N/A

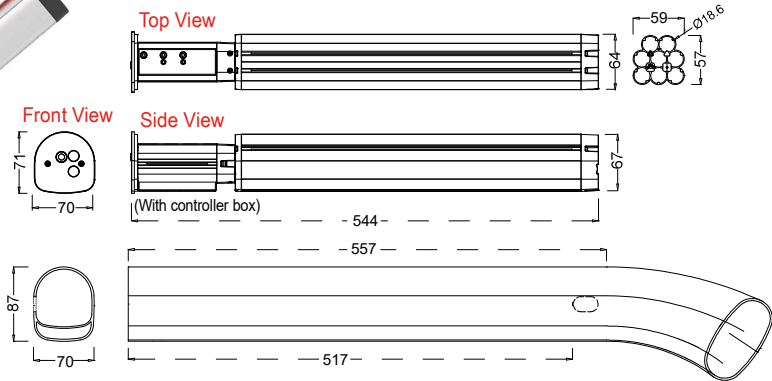
Configurations: 10S3P/ 7S4P

Rate: 6.6Ah - 10.5Ah/ 8.8Ah - 14.0Ah

Battery Materials: Aluminum Alloy 6063/PC+ABS

Down Tube Materials: Aluminum Alloy 6061

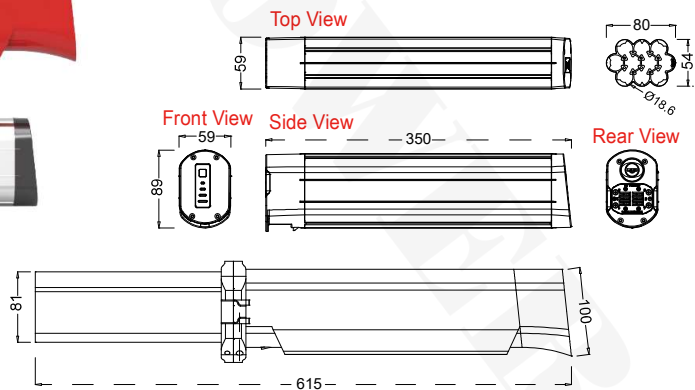
TQT - TSH



RE-TQT4 蜻蜓四號

NEW

Discharge port: 2 Pin/ 6 Pin	Optional: N/A
Maximum Cells: 18650 40 pcs	Charge port: DC2.1
Configurations: 10S4P	LED indicator: N/A
Battery Materials: Aluminum Alloy 6063/PC+ABS	Rate: 8.8Ah - 14.0Ah
	Down Tube Materials: Aluminum Alloy 6061



RE-TSH1 珊瑚一號

NEW

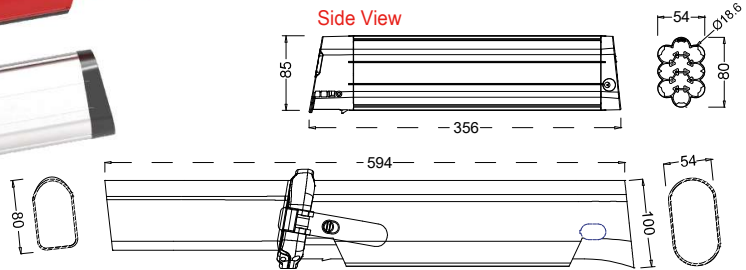
Discharge port: 6 Pin	Optional: N/A
Maximum Cells: 18650 40 pcs	Charge port: DC2.1
Configurations: 10S4P	LED indicator: 4 LED
Battery Materials: Aluminum Alloy 6063/PC+ABS	Rate: 8.8Ah - 14.0Ah
	Down Tube Materials: Aluminum Alloy 6061

Coral II Series

In-frame Battery Packs



4A fast charger available, refer to P.115



TSH

RE-TSH2 珊瑚二號

NEW

Discharge port: 6 Pin

Maximum Cells: 18650 40 pcs

Configurations: 10S4P

Battery Materials: Aluminum Alloy 6063/PC+ABS

Optional: N/A

Charge port: DC2.1

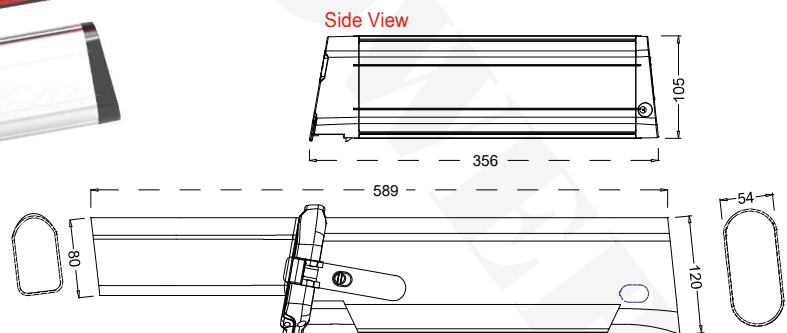
LED indicator: 4 LED

Rate: 8.8Ah - 14.0Ah

Down Tube Materials: Aluminum Alloy 6061

Coral III Series

In-frame Battery Packs



RE-TSH3 珊瑚三號

NEW

Discharge port: 6 Pin

Maximum Cells: 18650 52/ 50 pcs

Configurations: 13S4P/ 10S5P

Battery Materials: Aluminum Alloy 6063/PC+ABS

Optional: N/A

Charge port: DC2.1

LED indicator: 4 LED

Rate: 8.8Ah - 14.0Ah/ 11.0Ah - 17.5Ah

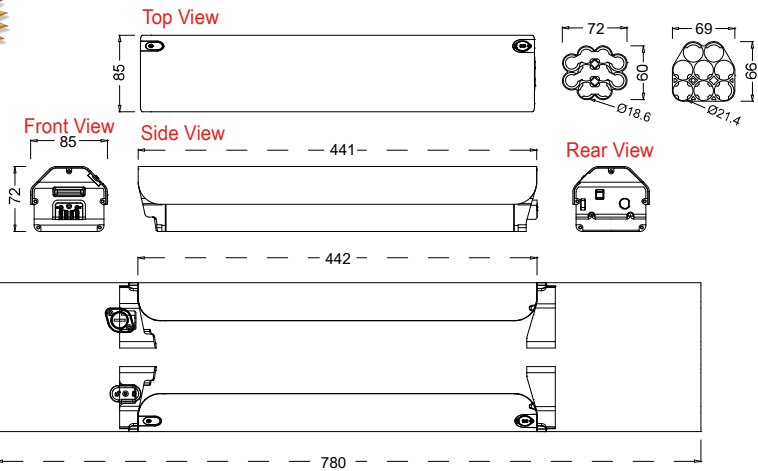
Down Tube Materials: Aluminum Alloy 6061

In-frame Battery Packs

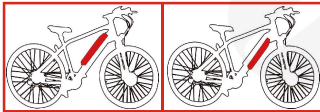
Dual Loong I Series

TSB - TSL

21700 cell available



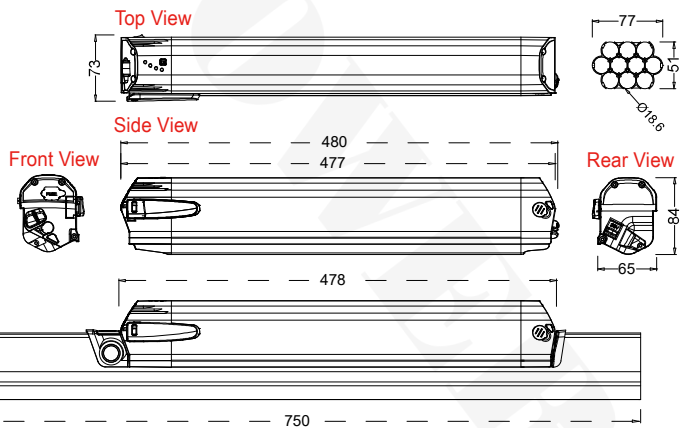
Battery Mounting Position:



SS-TSB1 雙龍一號 NEW	Optional: N/A
Discharge port: 6 Pin	Charge port: DC2.1
Maximum Cells: 18650 50pcs*2 & 21700 40pcs*2	LED indicator: Single LED (Tricolor)
Configurations: 10S5P & 10S4P	Rate: 11.0Ah - 17.5Ah & 20.0Ah
Battery Materials: Aluminum Alloy 6063/PC+ABS	Down Tube Materials: Aluminum Alloy 6061

In-frame Battery Packs

Dragon I Series



Battery Mounting Position:



Down Tube Weight(kg): 1.9

YL-TSL1 神龍一號 * Spring Lock	Optional: Handle Bar & USB Port
Discharge port: 5 Pin	Charge port: DC2.1
Maximum Cells: 18650 52/ 60 pcs	LED indicator: 4 LED
Configurations: 13S4P/ 10S6P	Rate: 8.8Ah - 14.0Ah/ 13.2Ah - 21.0Ah
Battery Materials: Aluminum Alloy 6063/PC+ABS	Down Tube Materials: Aluminum Alloy 6061

Dragon II Series

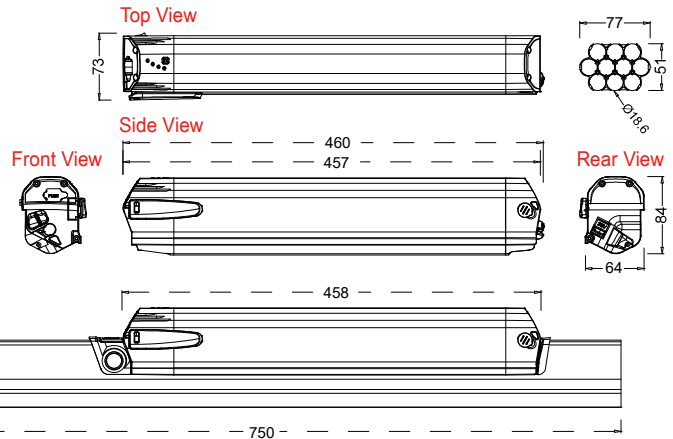
In-frame Battery Packs



Battery Mounting Position:



4A fast charger available, refer to P.115



YL-TSL2 神龍二號 (ID-Pro 50cell) * Spring Lock

Optional: Handle Bar & USB Port

Discharge port: 5 Pin

Charge port: DC2.1

Maximum Cells: 18650 50 pcs

LED indicator: 4 LED

Configurations: 10S5P

Rate: 11.0Ah - 17.5Ah

Battery Materials: Aluminum Alloy 6063/PC+ABS

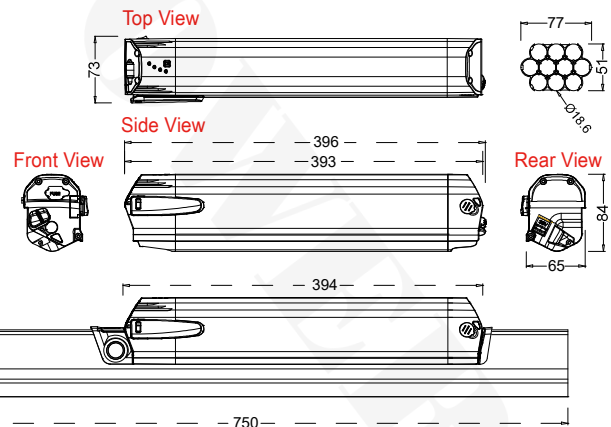
Down Tube Materials: Aluminum Alloy 6061

Dragon III Series

In-frame Battery Packs



Battery Mounting Position:



YL-TSL3 神龍三號 (ID-Pro 40cell) * Spring Lock

Optional: Handle Bar & USB Port

Discharge port: 5 Pin

Charge port: DC2.1

Maximum Cells: 18650 39/ 40 pcs

LED indicator: 4 LED

Configurations: 13S3P/ 10S4P

Rate: 6.6Ah - 10Ah/ 8.8Ah - 14.0Ah

Battery Materials: Aluminum Alloy 6063/PC+ABS

Down Tube Materials: Aluminum Alloy 6061

TSL

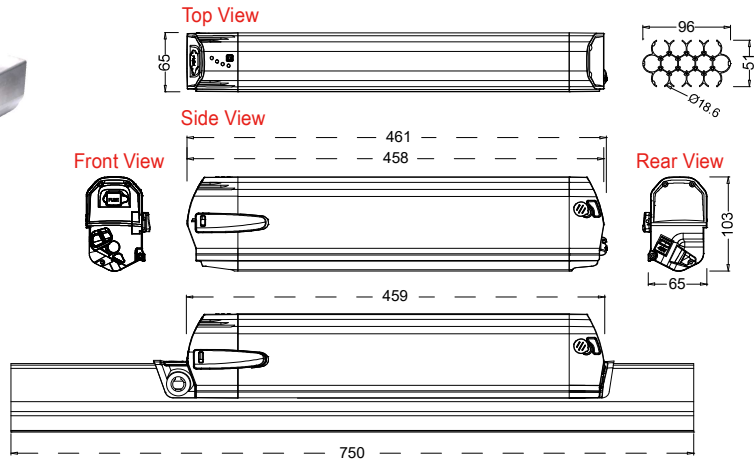
In-frame Battery Packs

Dragon A Series

TSL



Battery Mounting Position:



YL-TSLA 神龍A (ID-Plus 65cell) * Spring Lock

Optional: Handle Bar & USB Port

Discharge port: 5 Pin

Charge port: DC2.1

Maximum Cells: 18650 65/ 50 pcs

LED indicator: 4 LED

Configurations: 13S5P/ 10S5P

Rate: 11.0Ah - 17.5Ah

Battery Materials: Aluminum Alloy 6063/PC+ABS

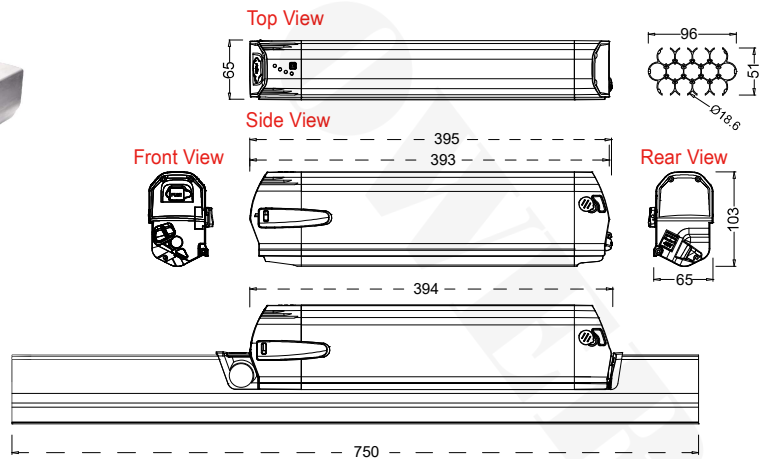
Down Tube Materials: Aluminum Alloy 6061

In-frame Battery Packs

Dragon B Series



Battery Mounting Position:



YL-TSLB 神龍B (ID-Plus 52cell) * Spring Lock

Optional: Handle Bar & USB Port

Discharge port: 5 Pin

Charge port: DC2.1

Maximum Cells: 18650 52/ 50 pcs

LED indicator: 4 LED

Configurations: 13S4P/ 10S5P

Rate: 8.8Ah - 14.0Ah/ 11.0Ah - 17.5Ah

Battery Materials: Aluminum Alloy 6063/PC+ABS

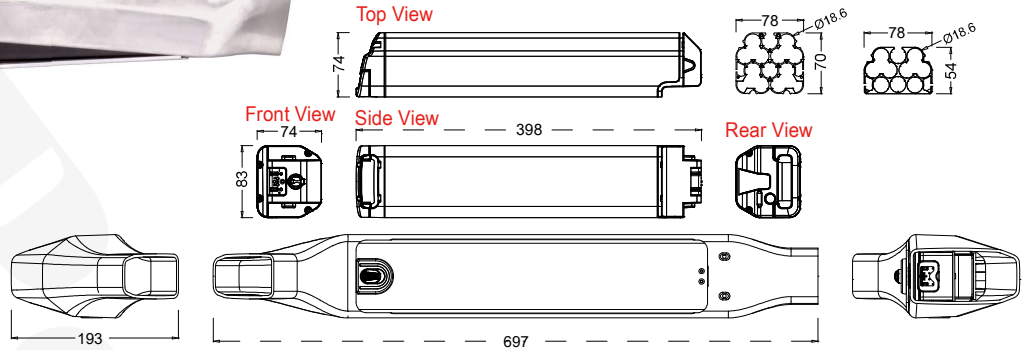
Down Tube Materials: Aluminum Alloy 6061

Sony I Series

In-frame Battery Packs



4A fast charger available, refer to P.115



Battery Mounting Position:



SS-TSN1 索尼一號 * *Spring Lock*

Optional: N/A

Discharge port: 7 Pin

Charge port: DC2.1

Maximum Cells: 18650 65/ 60 pcs

LED indicator: N/A

Configurations: 13S5P/ 10S6P

Rate: 11.0Ah - 17.5Ah/ 13.2Ah - 21.0Ah

Battery Materials: Aluminum Alloy 6063/PC+ABS

Down Tube Materials: Aluminum Alloy 6061

TSN

Sony II Series

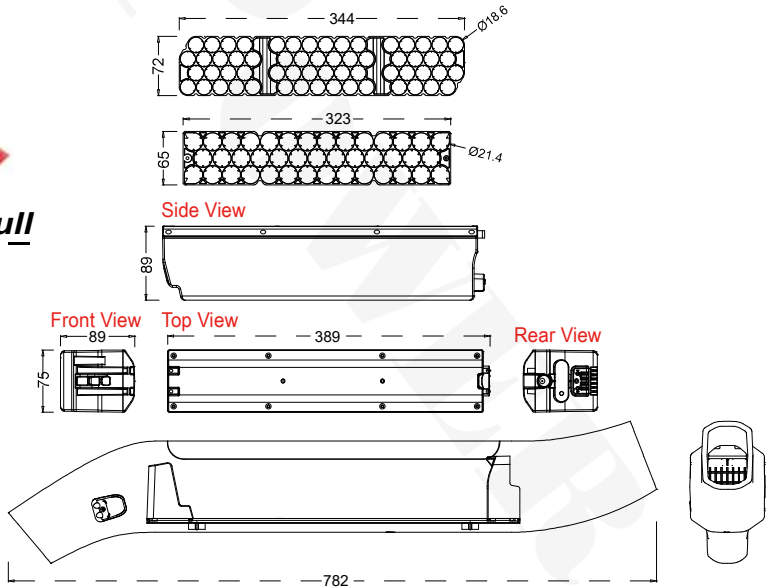
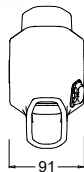
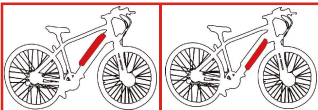
In-frame Battery Packs



Bottom Pull

Top Pull

Battery Mounting Position:



SS-TSN2 索尼二號 **NEW**

Optional: N/A

Discharge port: 6 Pin

Charge port: DC2.1

Maximum Cells: 18650 60 pcs & 21700 40 pcs

LED indicator: N/A

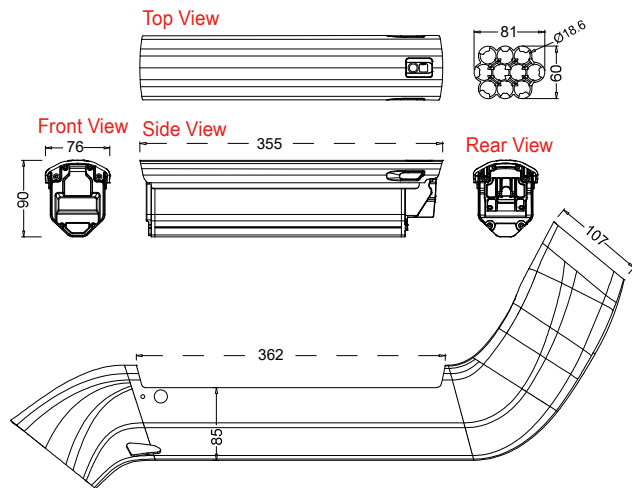
Configurations: 10S6P & 10S4P

Rate: 13.2Ah - 21.0Ah & 20.0Ah

Battery Materials: Aluminum Alloy 6063/PC+ABS

Down Tube Materials: Aluminum Alloy 6061

TTE - TTG



Battery Mounting Position:



SY-TTE1 天鵝一號

Optional: N/A

Discharge port: 6 Pin

Charge port: DC2.1

Maximum Cells: 18650 40 pcs

LED indicator: Single LED (Tricolor)

Configurations: 10S4P

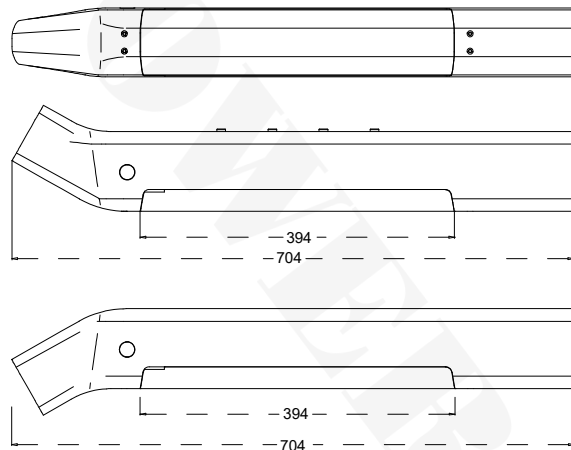
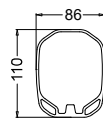
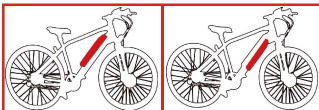
Rate: 8.8Ah - 14.0Ah

Battery Materials: Aluminum Alloy 6063/PC+ABS

Down Tube Materials: Aluminum Alloy 6061



Battery Mounting Position:



HY-TTG6 天宮六號

NEW

Optional: N/A

Discharge port: 5 Pin

Charge port: DC2.1

Maximum Cells: 21700 39/ 40 pcs

LED indicator: 4 LED

Configurations: 13S3P/ 10S4P

Rate: 15.0Ah/ 20.0Ah

Battery Materials: Aluminum Alloy 6063/PC+ABS

Down Tube Materials: Aluminum Alloy 6061

Tian Gong VIII Series

In-frame Battery Packs

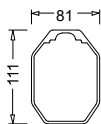
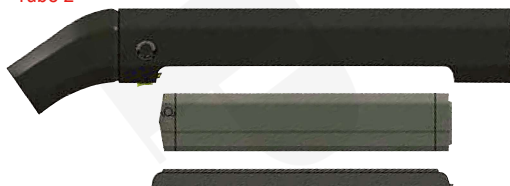


4A fast charger available, refer to P.115

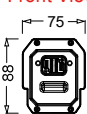
Tube 1



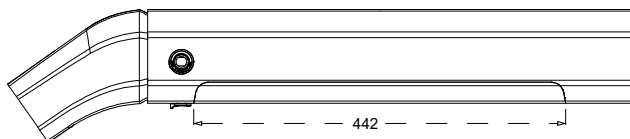
Tube 2



Front View



Side View



Battery Mounting Position:



HY-TTG8 天宮八號

NEW

Discharge port: 5 Pin

Maximum Cells: 18650 52/ 50 pcs

Configurations: 13S4P/ 10S5P

Battery Materials: Aluminum Alloy 6063/PC+ABS

Optional: N/A

Charge port: DC2.1

LED indicator: 4 LED

Rate: 8.8Ah - 14.0Ah/ 11.0Ah - 17.5Ah

Down Tube Materials: Aluminum Alloy 6061

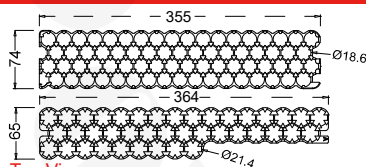
TTG - TTL

Pathfinder I Series

In-frame Battery Packs



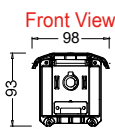
Battery Mounting Position:



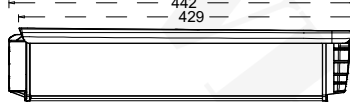
Top View



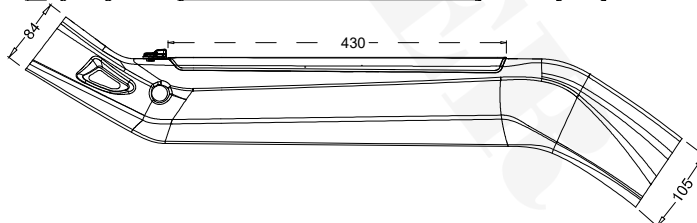
Side View



Front View



Rear View



SY-TTL1 探路者一號

Discharge port: 5 Pin

Maximum Cells: 18650 70 pcs & 21700 40 pcs

Configurations: 10S7P & 10S4P

Battery Materials: Aluminum Alloy 6063/PC+ABS

Optional: N/A

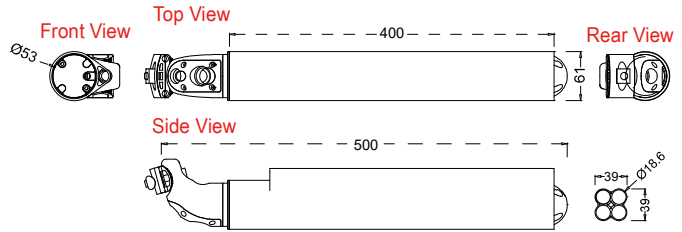
Charge port: DC2.1

LED indicator: Single LED (Tricolor)

Rate: 15.4Ah - 24.5Ah/ 20.0Ah

Down Tube Materials: Aluminum Alloy 6061

TTM - TTP



HY-TTMS 天馬Mini **NEW**

Discharge port: 5 Pin

Maximum Cells: 18650 20 pcs

Configurations: 10S2P

Battery Materials: Aluminum Alloy 6063/PC+ABS

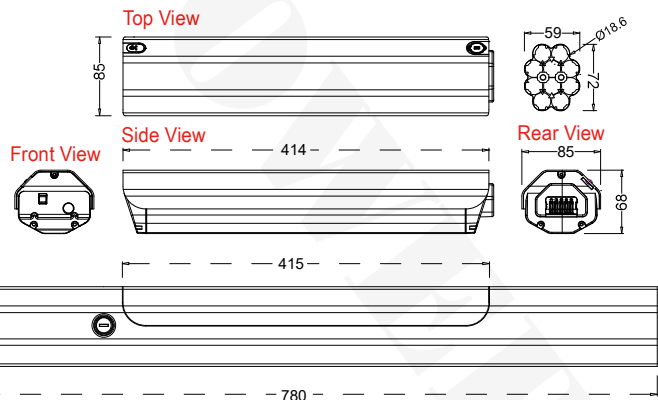
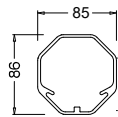
Optional: N/A

Charge port: DC2.1

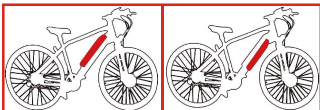
LED indicator: N/A

Rate: 4.4Ah - 7.0Ah

Down Tube Materials: Aluminum Alloy 6061



Battery Mounting Position:



YL-TTP1 太平洋一號 (SSE-024) **NEW**

Discharge port: 5 Pin

Maximum Cells: 18650 52 pcs

Configurations: 13S4P

Battery Materials: Aluminum Alloy 6063/PC+ABS

Optional: N/A

Charge port: DC2.1

LED indicator: Single LED (Tricolor)

Rate: 8.8Ah - 14.0Ah

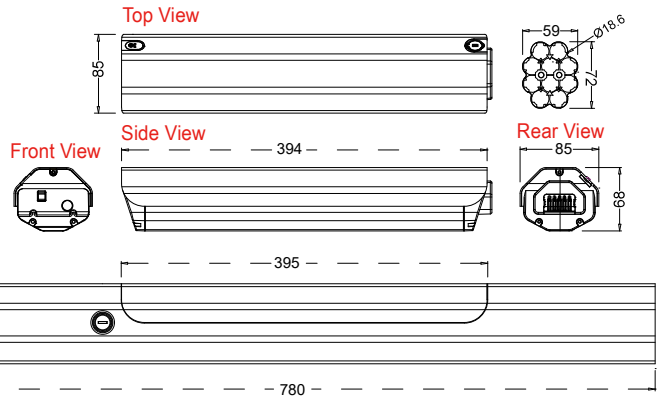
Down Tube Materials: Aluminum Alloy 6061

Pacific II Series

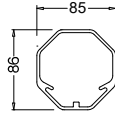
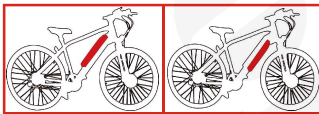
In-frame Battery Packs



4A fast charger available, refer to P.115



Battery Mounting Position:



TTP

YL-TTP2 太平洋二號 (SSE-024) **NEW**

Optional: N/A

Discharge port: 5 Pin

Charge port: DC2.1

Maximum Cells: 18650 50 pcs

LED indicator: Single LED (Tricolor)

Configurations: 10S5P

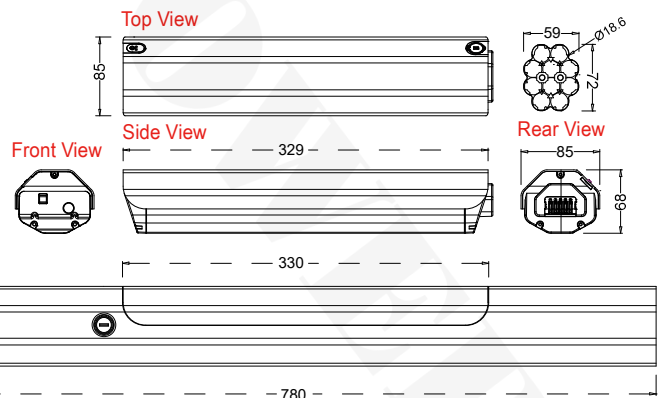
Rate: 11.0Ah - 17.5Ah

Battery Materials: Aluminum Alloy 6063/PC+ABS

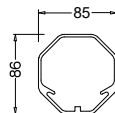
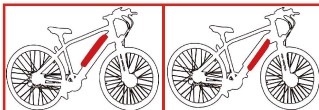
Down Tube Materials: Aluminum Alloy 6061

Pacific III Series

In-frame Battery Packs



Battery Mounting Position:



YL-TTP3 太平洋三號 (SSE-024) **NEW**

Optional: N/A

Discharge port: 5 Pin

Charge port: DC2.1

Maximum Cells: 18650 39/ 40pcs

LED indicator: Single LED (Tricolor)

Configurations: 13S3P/ 10S4P

Rate: 6.6Ah - 10.5Ah/ 8.8Ah - 14.0Ah

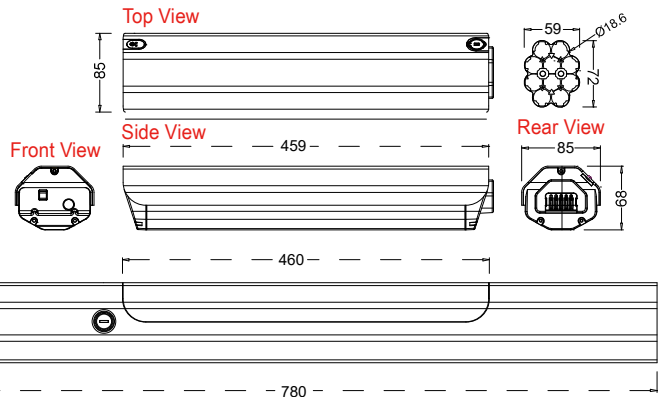
Battery Materials: Aluminum Alloy 6063/PC+ABS

Down Tube Materials: Aluminum Alloy 6061

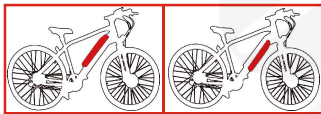
In-frame Battery Packs

Pacific IV Series

TTP



Battery Mounting Position:



YL-TTP4 太平洋四號 (SSE-024)

NEW

Optional: N/A

Discharge port: 5 Pin

Charge port: DC2.1

Maximum Cells: 18650 60pcs

LED indicator: Single LED (Tricolor)

Configurations: 10S6P

Rate: 13.2Ah - 21.0Ah

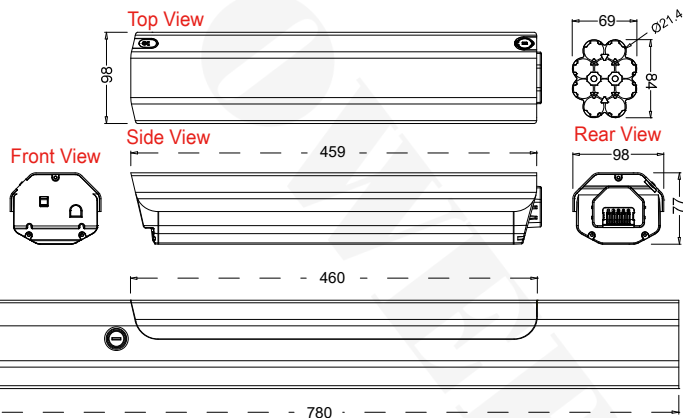
Battery Materials: Aluminum Alloy 6063/PC+ABS

Down Tube Materials: Aluminum Alloy 6061

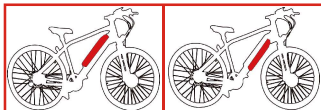
In-frame Battery Packs

Pacific A Series

21700 cell available



Battery Mounting Position:



YL-TTPA 太平洋A

NEW

Optional: N/A

Discharge port: 5 Pin

Charge port: DC2.1

Maximum Cells: 21700 52 pcs

LED indicator: Single LED (Tricolor)

Configurations: 13S4P

Rate: 20.0Ah

Battery Materials: Aluminum Alloy 6063/PC+ABS

Down Tube Materials: Aluminum Alloy 6061

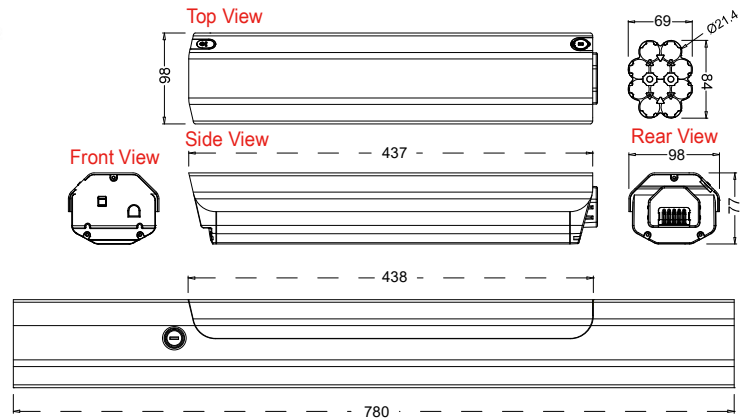
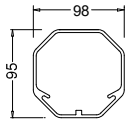
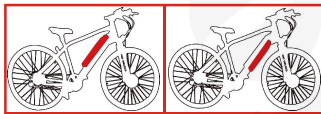
Pacific B Series

In-frame Battery Packs

21700 cell available



Battery Mounting Position:



4A fast charger available, refer to P.115

TTP

YL-TTPB 太平洋B

NEW

Optional: N/A

Discharge port: 5 Pin

Charge port: DC2.1

Maximum Cells: 21700 50 pcs

LED indicator: Single LED (Tricolor)

Configurations: 10S5P

Rate: 25.0Ah

Battery Materials: Aluminum Alloy 6063/PC+ABS

Down Tube Materials: Aluminum Alloy 6061

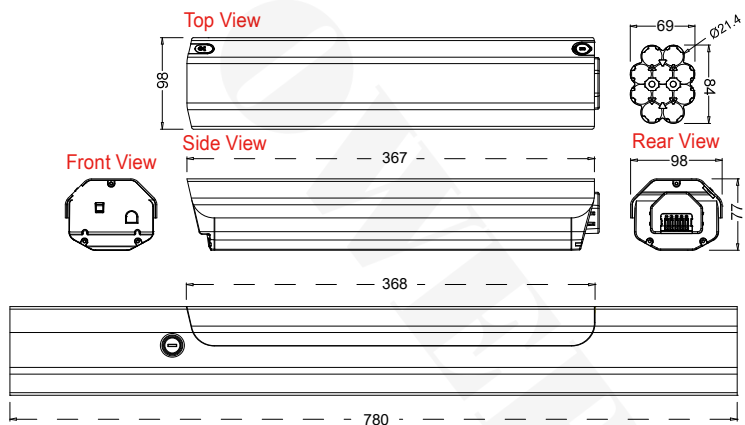
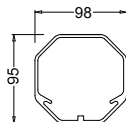
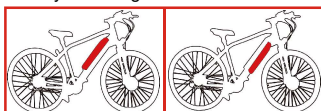
Pacific C Series

In-frame Battery Packs

21700 cell available



Battery Mounting Position:



YL-TTPC 太平洋C

NEW

Optional: N/A

Discharge port: 5 Pin

Charge port: DC2.1

Maximum Cells: 21700 40 pcs

LED indicator: Single LED (Tricolor)

Configurations: 10S4P

Rate: 20.0Ah

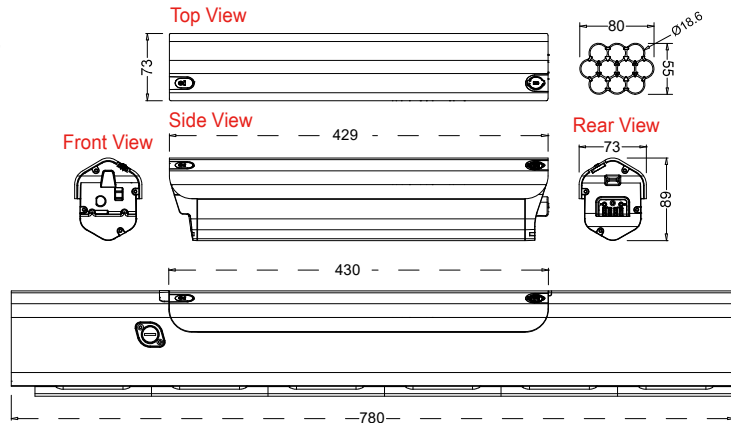
Battery Materials: Aluminum Alloy 6063/PC+ABS

Down Tube Materials: Aluminum Alloy 6061

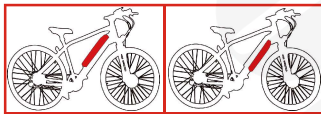
In-frame Battery Packs

Pacific K Series

TTP



Battery Mounting Position:



YL-TTPK 太平洋K (SSE-076) * Spring Lock

NEW

Optional: N/A

Discharge port: 6 Pin

Charge port: DC2.1

Maximum Cells: 18650 52 pcs

LED indicator: Single LED (Tricolor)

Configurations: 13S4P

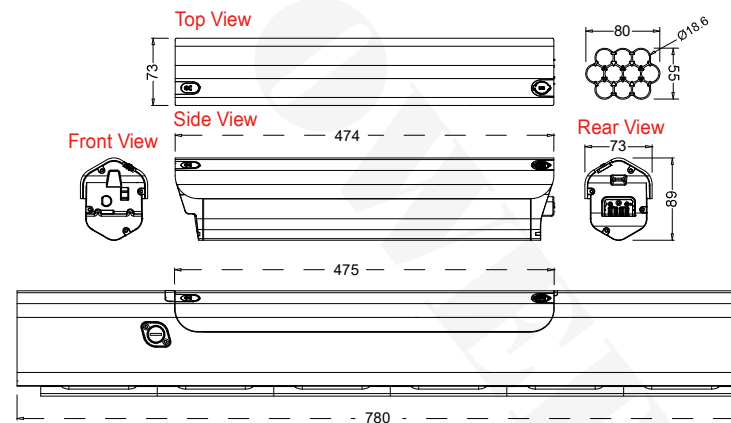
Rate: 8.8Ah - 14.0Ah

Battery Materials: Aluminum Alloy 6063/PC+ABS

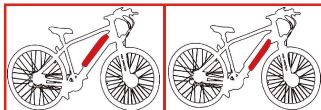
Down Tube Materials: Aluminum Alloy 6061

In-frame Battery Packs

Pacific L Series



Battery Mounting Position:



YL-TTPL 太平洋L (SSE-076) * Spring Lock

NEW

Optional: N/A

Discharge port: 6 Pin

Charge port: DC2.1

Maximum Cells: 18650 60 pcs

LED indicator: Single LED (Tricolor)

Configurations: 10S6P

Rate: 13.2Ah - 21.0Ah

Battery Materials: Aluminum Alloy 6063/PC+ABS

Down Tube Materials: Aluminum Alloy 6061

Pacific M Series

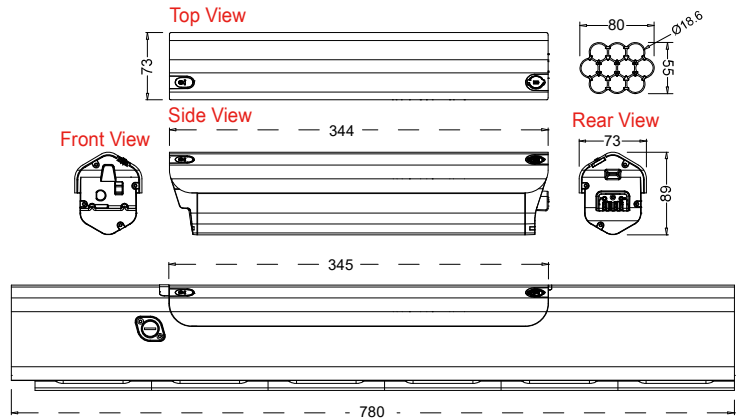
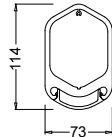
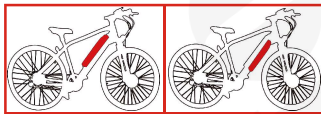
In-frame Battery Packs



4A fast charger available, refer to P.115



Battery Mounting Position:



TTP

YL-TTPM 太平洋M (SSE-076) * Spring Lock

NEW

Optional: N/A

Discharge port: 6 Pin

Charge port: DC2.1

Maximum Cells: 18650 39/ 40 pcs

LED indicator: Single LED (Tricolor)

Configurations: 13S3P/ 10S4P

Rate: 6.6Ah - 10.5Ah/ 8.8Ah - 14.0Ah

Battery Materials: Aluminum Alloy 6063/PC+ABS

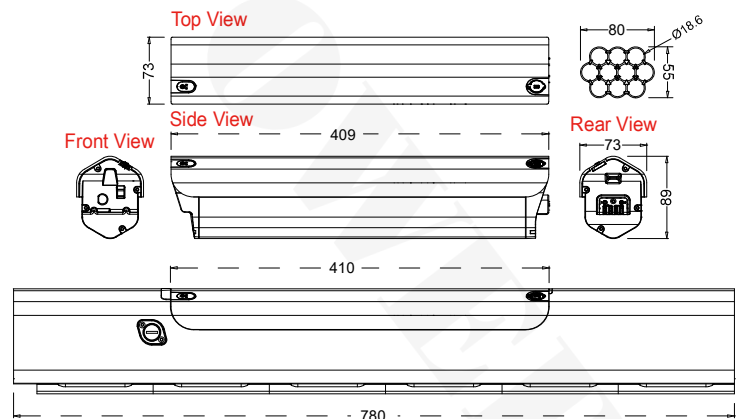
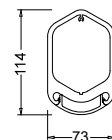
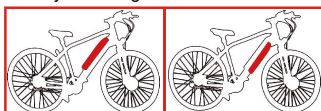
Down Tube Materials: Aluminum Alloy 6061

Pacific N Series

In-frame Battery Packs



Battery Mounting Position:



YL-TTPN 太平洋N (SSE-076) * Spring Lock

NEW

Optional: N/A

Discharge port: 6 Pin

Charge port: DC2.1

Maximum Cells: 18650 50 pcs

LED indicator: Single LED (Tricolor)

Configurations: 10S5P

Rate: 11.0Ah - 17.5Ah

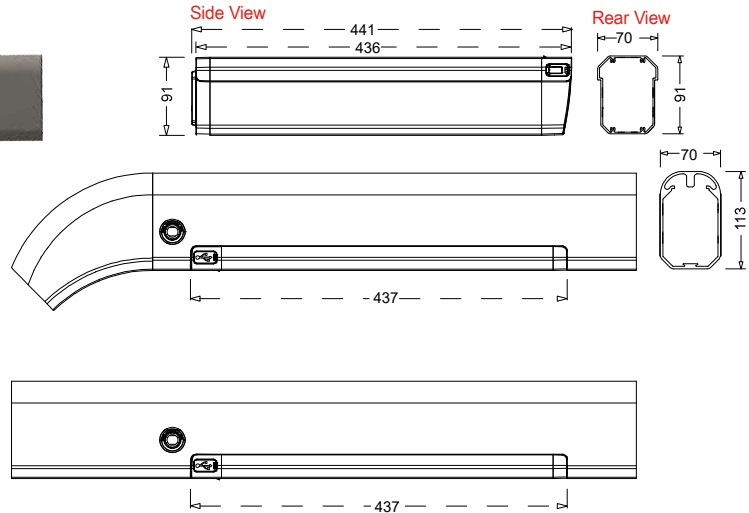
Battery Materials: Aluminum Alloy 6063/PC+ABS

Down Tube Materials: Aluminum Alloy 6061

In-frame Battery Packs

SkyHawk I Series

TTY



Battery Mounting Position:



HY-TTY1 天鷹一號

NEW

Discharge port: 5 Pin

Optional: N/A

Charge port: DC2.1

Maximum Cells: 18650 52/ 50 pcs

LED indicator: 4 LED

Configurations: 13S4P/ 10S5P

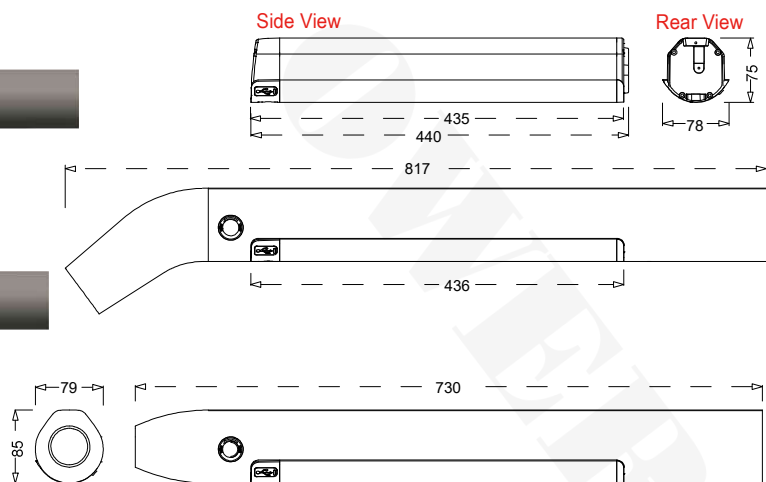
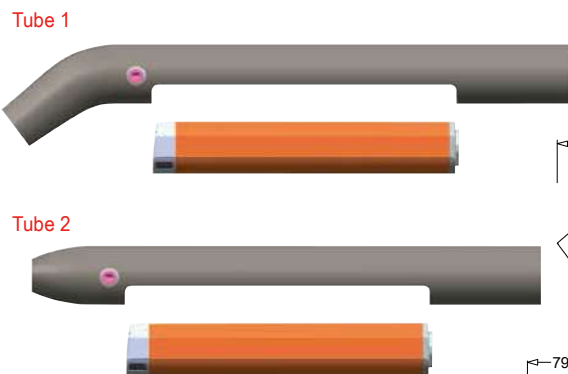
Rate: 8.8Ah - 14.0Ah/ 11.0Ah - 17.5Ah

Battery Materials: Aluminum Alloy 6063/PC+ABS

Down Tube Materials: Aluminum Alloy 6061

In-frame Battery Packs

SkyHawk II Series



Battery Mounting Position:



HY-TTY2 天鷹二號

NEW

Discharge port: 5 Pin

Optional: N/A

Charge port: DC2.1

Maximum Cells: 18650 40 pcs

LED indicator: 4 LED

Configurations: 10S4P

Rate: 8.8Ah - 14.0Ah

Battery Materials: Aluminum Alloy 6063/PC+ABS

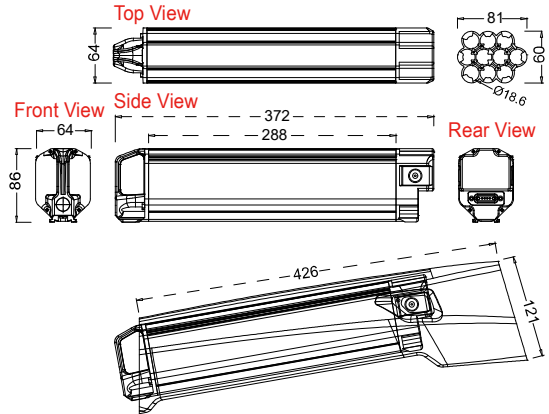
Down Tube Materials: Aluminum Alloy 6061

Little Fox I Series

In-frame Battery Packs



4A fast charger available, refer to P.115

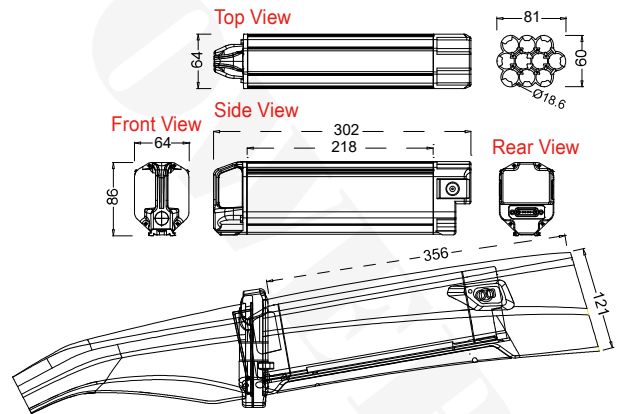


TXH

SY-TXH1 小狐狸一號 NEW	Optional: N/A
Discharge port: 6 Pin	Charge port: DC2.1
Maximum Cells: 18650 40 pcs	LED indicator: Single LED (Tricolor)
Configurations: 10S4P	Rate: 8.8Ah - 14.0Ah
Battery Materials: Aluminum Alloy 6063/PC+ABS	Down Tube Materials: Aluminum Alloy 6061

Little Fox Mini1 Series

In-frame Battery Packs

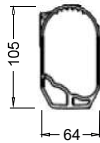


SY-TXH1S 小狐狸-Mini1 NEW	Optional: N/A
Discharge port: 6 Pin	Charge port: DC2.1
Maximum Cells: 18650 30 pcs	LED indicator: Single LED (Tricolor)
Configurations: 10S3P	Rate: 6.6Ah - 10.5Ah
Battery Materials: Aluminum Alloy 6063/PC+ABS	Down Tube Materials: Aluminum Alloy 6061

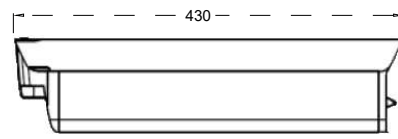
In-frame Battery Packs

Xiao Long I Series

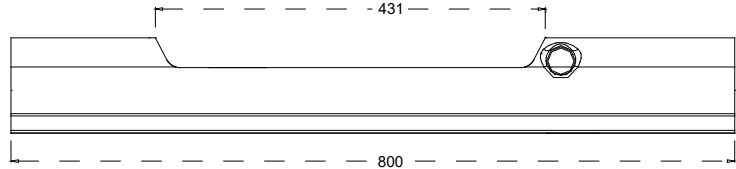
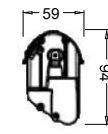
TXL



Side View



Rear View



Battery Mounting Position:



HY-TXL1 梟龍一號

NEW

Discharge port: 5 Pin

Optional: N/A

Charge port: DC2.1

Maximum Cells: 18650 52/ 50 pcs

LED indicator: 4 LED

Configurations: 13S4P/ 10S5P

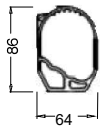
Rate: 8.8Ah - 14.0Ah/ 11.0Ah - 17.5Ah

Battery Materials: Aluminum Alloy 6063/PC+ABS

Down Tube Materials: Aluminum Alloy 6061

In-frame Battery Packs

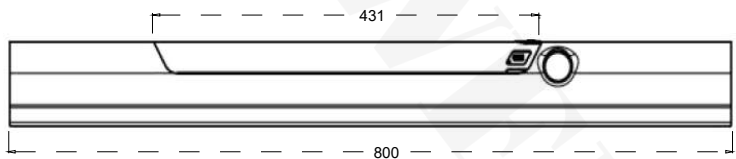
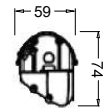
Xiao Long II Series



Side View



Rear View



Battery Mounting Position:



HY-TXL2 梟龍二號

NEW

Discharge port: 5 Pin

Optional: N/A

Charge port: DC2.1

Maximum Cells: 18650 39/ 40 pcs

LED indicator: 4 LED

Configurations: 13S3P/ 10S4P

Rate: 6.6Ah - 10.5Ah/ 8.8Ah - 14.0Ah

Battery Materials: Aluminum Alloy 6063/PC+ABS

Down Tube Materials: Aluminum Alloy 6061

Rhino I Series

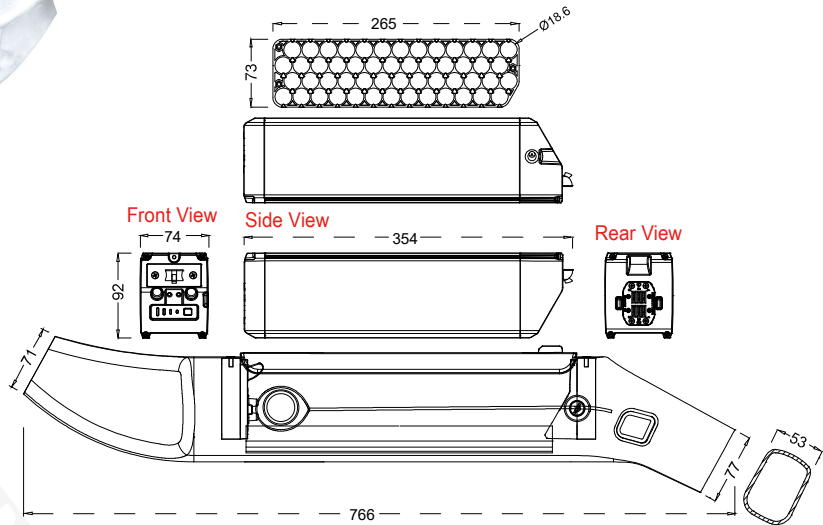
In-frame Battery Packs



4A fast charger available, refer to P.115



Battery Mounting Position:



TXN - TXW

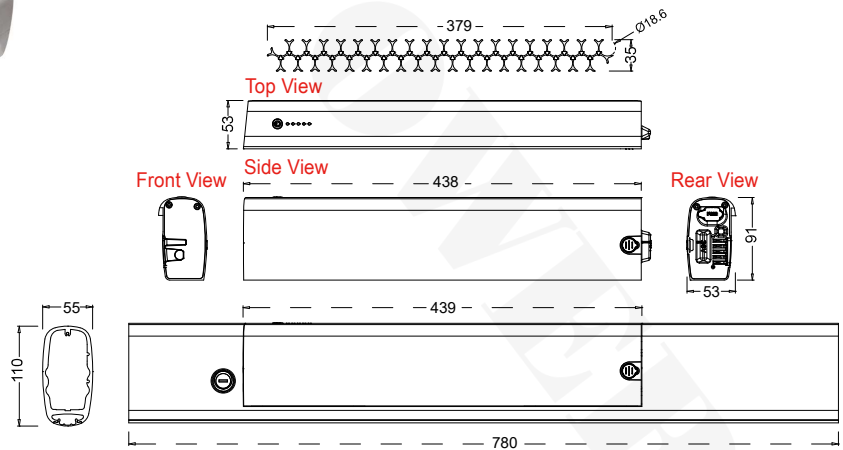
RE-TXN1 犀牛一號	Optional: N/A
Discharge port: 6 Pin	Charge port: DC2.1
Maximum Cells: 18650 52/ 50 pcs	LED indicator: 4 LED
Configurations: 13S4P/ 10S5P	Rate: 8.8Ah - 14.0Ah/ 11.0Ah - 17.5Ah
Battery Materials: Aluminum Alloy 6063/PC+ABS	Down Tube Materials: Aluminum Alloy 6061

Black Warrior I Series

In-frame Battery Packs



Battery Mounting Position:



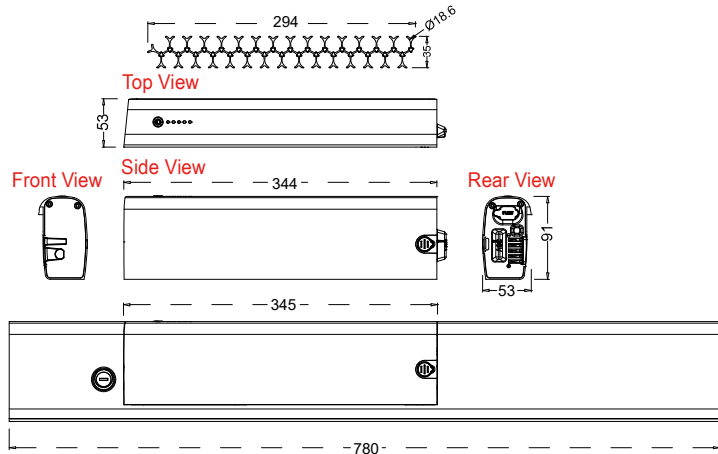
Down Tube Weight(kg): 2.1

YL-TXW1 玄武一號 (Colour: Black/Silver)	Optional: N/A
Discharge port: 5 Pin	Charge port: DC2.1
Maximum Cells: 18650 39/ 40 pcs	LED indicator: 5 LED
Configurations: 13S3P / 10S4P	Rate: 6.6Ah - 10.5Ah/ 8.8Ah - 14.0Ah
Battery Materials: Aluminum Alloy 6063/PC+ABS	Down Tube Materials: Aluminum Alloy 6061

In-frame Battery Packs

Black Warrior II Series

TXW - TYB



Battery Mounting Position:

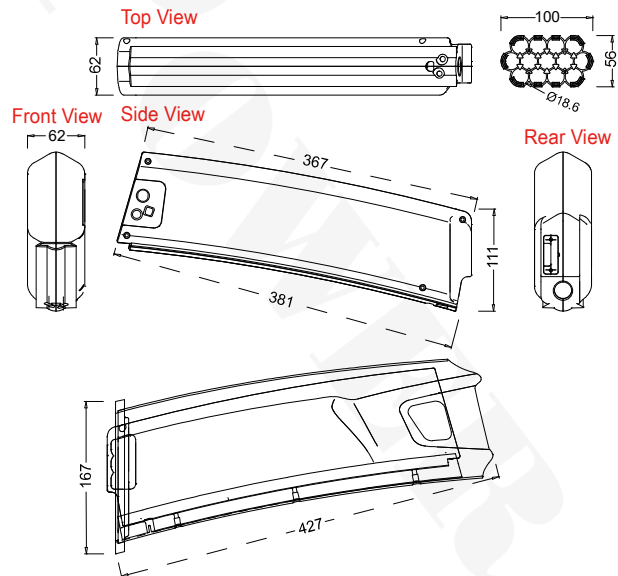


Down Tube Weight(kg): 2.1

YL-TXW2 玄武二號 (Colour: Black/Silver)	Optional: N/A
Discharge port: 5 Pin	Charge port: DC2.1
Maximum Cells: 18650 30 pcs	LED indicator: 5 LED
Configurations: 10S3P	Rate: 6.6Ah - 10.5Ah
Battery Materials: Aluminum Alloy 6063/PC+ABS	Down Tube Materials: Aluminum Alloy 6061

In-frame Battery Packs

Clouded Leopard I Series



SY-TYB1 雲豹一號 NEW	Optional: N/A
Discharge port: 6 Pin	Charge port: DC2.1
Maximum Cells: 18650 52/ 50 pcs	LED indicator: Single LED (Tricolor)
Configurations: 13S4P/ 10S5P	Rate: 8.8Ah - 14.0Ah/ 11.0Ah - 17.5Ah
Battery Materials: Aluminum Alloy 6063/PC+ABS	Down Tube Materials: Aluminum Alloy 6061

Mustang I Series

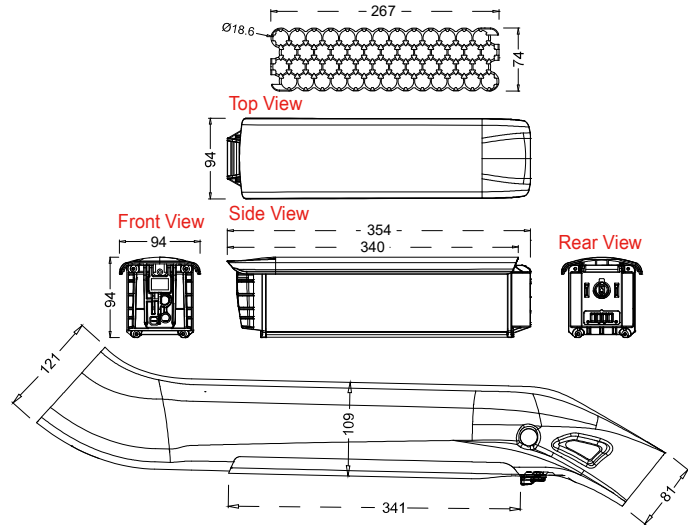
In-frame Battery Packs



4A fast charger available, refer to P.115



Battery Mounting Position:



TYM - TZQ

SY-TYM1 野馬一號

Optional: N/A

Discharge port: 4 Pin

Charge port: DC2.1

Maximum Cells: 18650 52/ 50 pcs

LED indicator: Single LED (Tricolor)

Configurations: 13S4P/ 10S5P

Rate: 8.8Ah - 14.0Ah/ 11.0Ah - 17.5Ah

Battery Materials: Aluminum Alloy 6063/PC+ABS

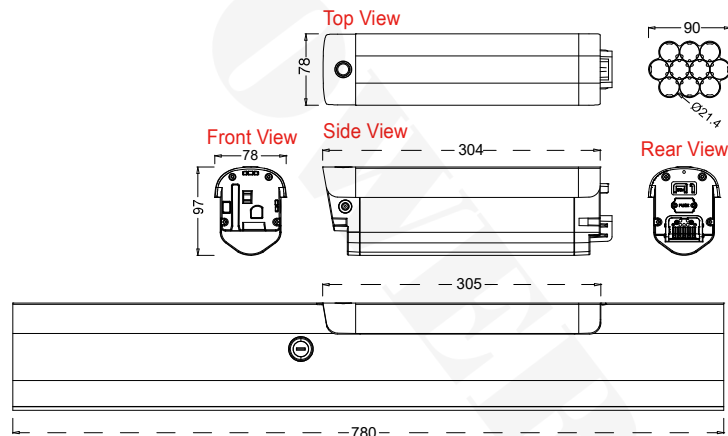
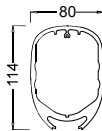
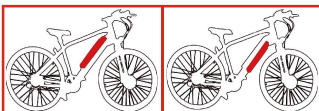
Down Tube Materials: Aluminum Alloy 6061

Rosefinch I Series

In-frame Battery Packs



Battery Mounting Position:



Down Tube Weight(kg): 3.4

YL-TZQ1 朱雀一號

NEW

Optional: N/A

Discharge port: 7 Pin

Charge port: DC2.1

Maximum Cells: 21700 30 pcs

LED indicator: N/A

Configurations: 10S3P

Rate: 15.0Ah

Battery Materials: Aluminum Alloy 6063/PC+ABS

Down Tube Materials: Aluminum Alloy 6061

In-frame Battery Packs

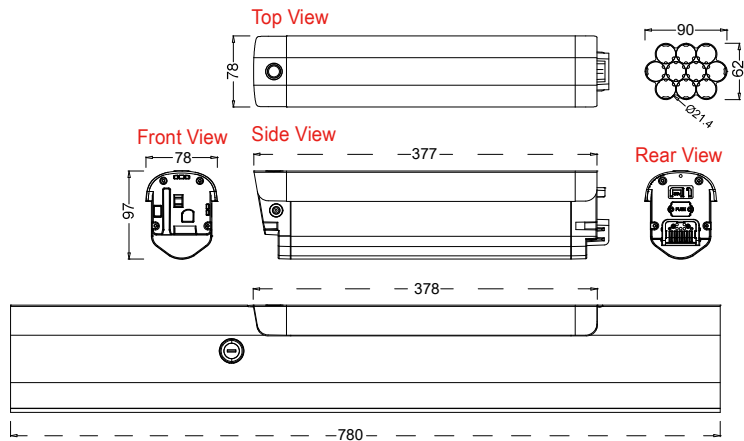
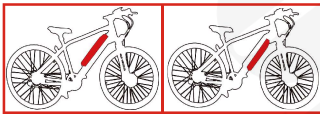
Rosefinch II Series

TZQ

21700 cell available



Battery Mounting Position:



Down Tube Weight(kg): 3.4

YL-TZQ2 朱雀二號 NEW	Optional: N/A
Discharge port: 7 Pin	Charge port: DC2.1
Maximum Cells: 21700 39/ 40 pcs	LED indicator: N/A
Configurations: 13S3P/ 10S4P	Rate: 15.0Ah/ 20.0Ah
Battery Materials: Aluminum Alloy 6063/PC+ABS	Down Tube Materials: Aluminum Alloy 6061

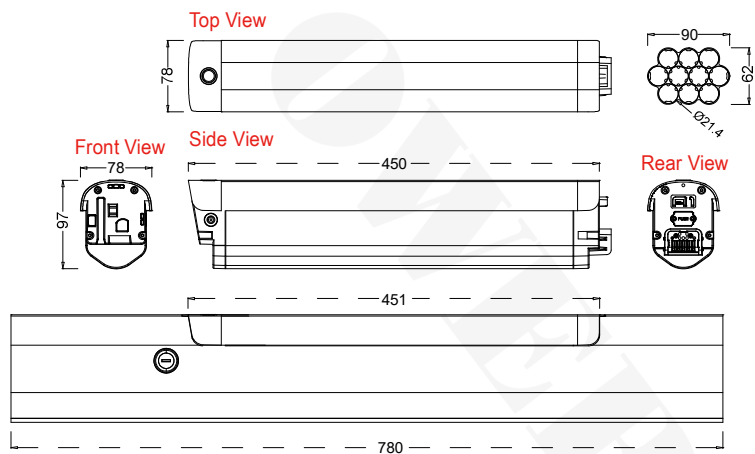
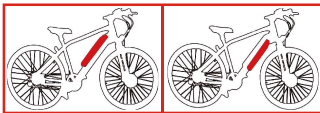
In-frame Battery Packs

Rosefinch III Series

21700 cell available



Battery Mounting Position:



Down Tube Weight(kg): 3.4

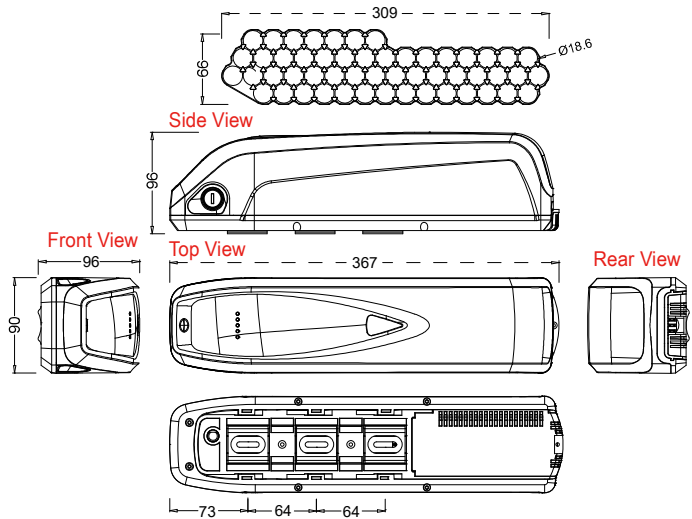
YL-TZQ3 朱雀三號 NEW	Optional: N/A
Discharge port: 7 Pin	Charge port: DC2.1
Maximum Cells: 21700 50 pcs	LED indicator: N/A
Configurations: 10S5P	Rate: 25.0Ah
Battery Materials: Aluminum Alloy 6063/PC+ABS	Down Tube Materials: Aluminum Alloy 6061

Grasshopper I Series

Down Tube Battery Packs



4A fast charger available, refer to P.115



DCM

YL-DCM1 草蜢一號 **NEW**

Discharge port: 5 Pin

Maximum Cells: 18650 52/ 50 pcs

Configurations: 13S4P/ 10S5P

Battery Materials: PC+ABS

Optional: Controller available (Model: ERC-D Option A)

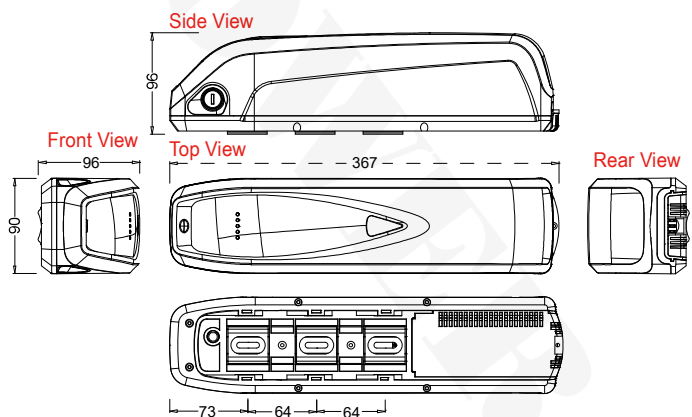
Charge port: DC2.1

LED indicator: 5 LED

Rate: 8.8Ah - 14.0Ah/ 11.0Ah - 17.5Ah

Grasshopper II Series

Down Tube Battery Packs



YL-DCM2 草蜢二號 **NEW**

Discharge port: 5 Pin

Maximum Cells: 21700 40 pcs

Configurations: 10S4P

Battery Materials: PC+ABS

Optional: Controller available (Model: ERC-D Option A)

Charge port: DC2.1

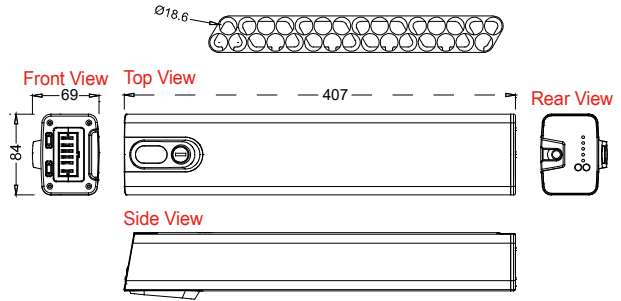
LED indicator: 5 LED

Rate: 20.0Ah

Down Tube Battery Packs

Haier I Series

DHE - DHF



SS-DHE1 海爾一號 **NEW**

Discharge port: 6 Pin

Maximum Cells: 18650 30 pcs

Configurations: 10S3P

Battery Materials: Aluminum Alloy 6061 / PC+ABS

Optional: N/A

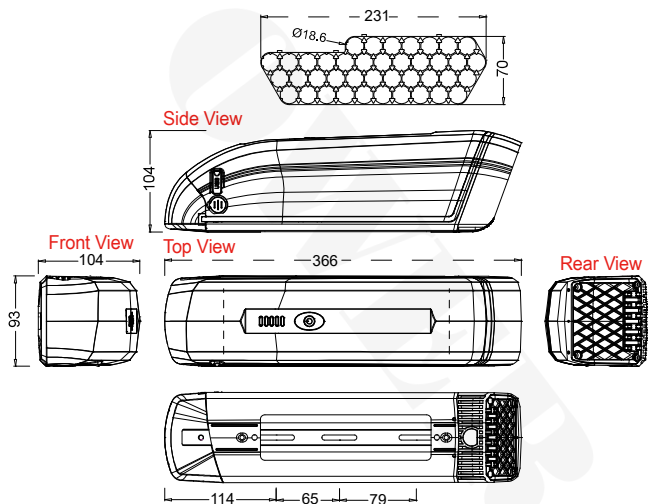
Charge port: DC2.1

LED indicator: 5 LED

Rate: 6.6Ah - 10.5Ah

Down Tube Battery Packs

Wasp I Series



YL-DHF1 黃蜂一號

Discharge port: 5 Pin

Maximum Cells: 18650 39/ 40 pcs

Configurations: 13S3P/ 10S4P

Battery Materials: PC+ABS

Optional: USB Port/ Controller (Model: ERC-K)

Charge port: DC2.1

LED indicator: 5 LED

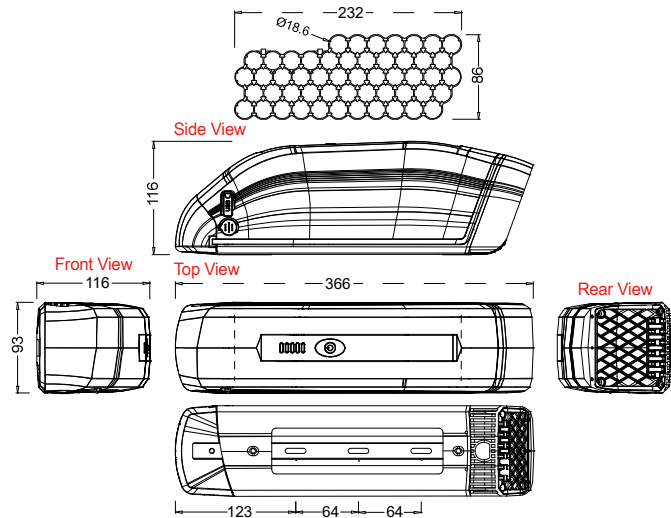
Rate: 6.6Ah - 10.5Ah/ 8.8Ah - 14.0Ah

Wasp II Series

Down Tube Battery Packs



4A fast charger available, refer to P.115



DHF - DHL

YL-DHF2 黃蜂二號

Optional: USB Port/ Controller (Model: ERC-K)

Discharge port: 5 Pin

Charge port: DC2.1

Maximum Cells: 18650 52/ 50 pcs

LED indicator: 5 LED

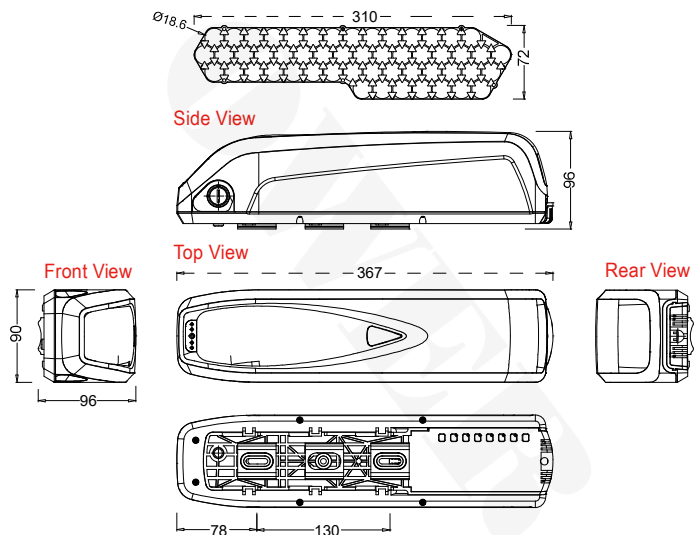
Configurations: 13S4P/ 10S5P

Rate: 8.8Ah - 14.0Ah/ 11.0Ah - 17.5Ah

Battery Materials: PC+ABS

Hailong I Series

Down Tube Battery Packs



SS-DHL1 海龍一號

Optional: Controller available (Model: ERC-D Option A)

Discharge port: 4 Pin

Charge port: DC2.1

Maximum Cells: 18650 52/ 50 pcs

LED indicator: 4 LED

Configurations: 13S4P/ 10S5P

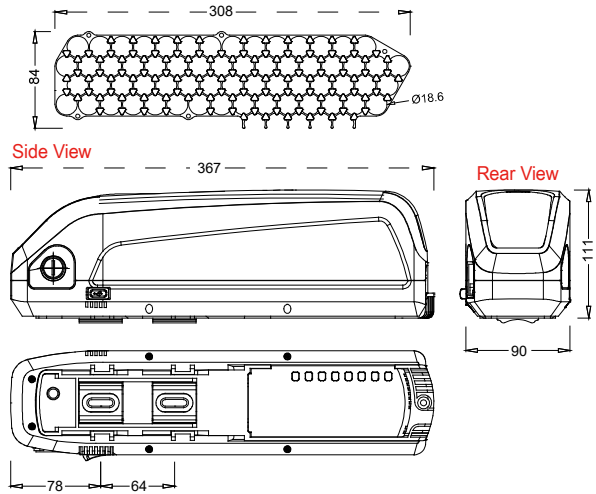
Rate: 8.8Ah - 14.0Ah/ 11.1Ah - 17.5Ah

Battery Materials: PC+ABS

Down Tube Battery Packs

Hailong I-2 Series

DHL



SS-DHL1M 海龍一號2型

Optional: USB Port & Controller (Model: ERC-D Option B)

Discharge port: 4 Pin

Charge port: DC2.1

Maximum Cells: 18650 65/ 60 pcs

LED indicator: 4 LED

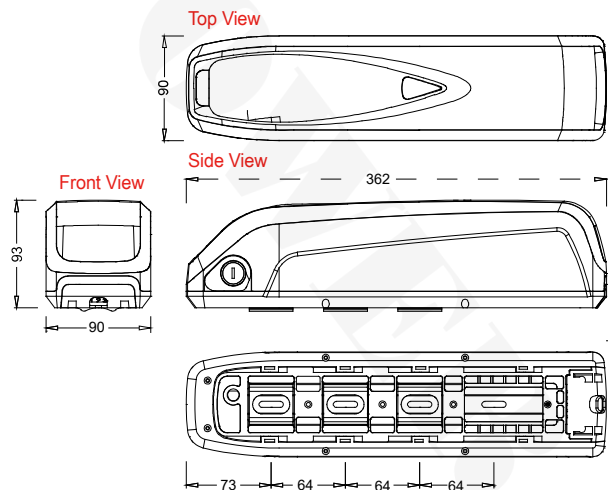
Configurations: 13S5P/ 10S6P

Rate: 11.0Ah - 17.5Ah/ 13.2Ah - 21.0Ah

Battery Materials: PC+ABS

Down Tube Battery Packs

Hailong V Series



SS-DHL5 海龍五號

NEW

Optional: N/A

Discharge port: 5 Pin

Charge port: DC2.1

Maximum Cells: 18650 56 pcs

LED indicator: 4 LED

Configurations: 14S4P

Rate: 8.8Ah - 14.0Ah

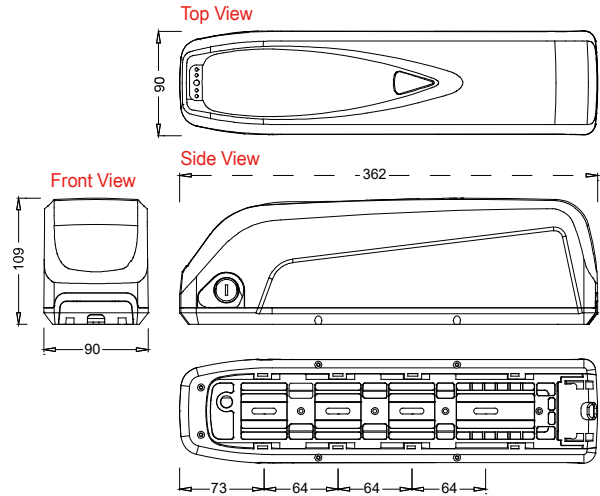
Battery Materials: Aluminum Alloy 6061 / PC+ABS

Hailong VII Series

Down Tube Battery Packs



4A fast charger available, refer to P.115



DHL

SS-DHL7 海龍七號

NEW

Optional: N/A

Discharge port: 5 Pin

Charge port: DC2.1

Maximum Cells: 18650 70 pcs

LED indicator: 4 LED

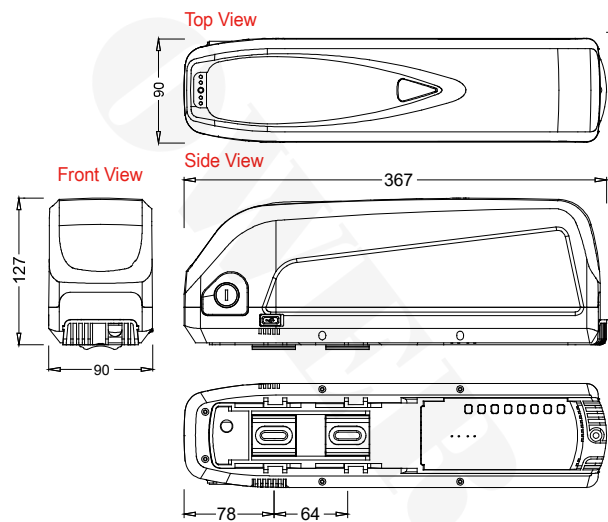
Configurations: 10S7P

Rate: 15.4Ah - 24.5Ah

Battery Materials: Aluminum Alloy 6061 / PC+ABS

Hailong VIII Series

Down Tube Battery Packs



SS-DHL8 海龍八號

NEW

Optional: N/A

Discharge port: 4 / 6 Pin

Charge port: DC2.1

Maximum Cells: 18650 80 pcs

LED indicator: 4 LED

Configurations: 10S8P

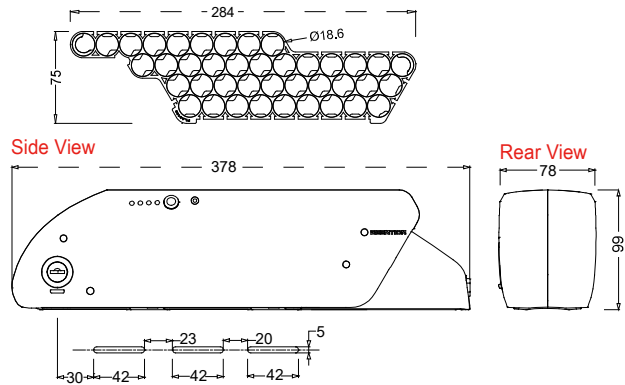
Rate: 17.6Ah - 28.0Ah

Battery Materials: Aluminum Alloy 6061 / PC+ABS

Down Tube Battery Packs

Tiger Shark I Series

DHS



RE-DHS1 虎鯊一號

Discharge port: 5 Pin

Maximum Cells: 18650 40 pcs

Configurations: 10S4P

Battery Materials: PC+ABS

Optional: USB Port

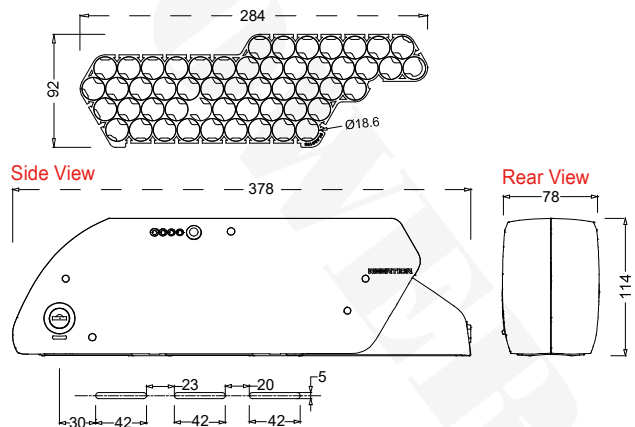
Charge port: DC2.1

LED indicator: 4 LED

Rate: 8.8Ah - 14.0Ah

Down Tube Battery Packs

Tiger Shark II Series



RE-DHS2 虎鯊二號

Discharge port: 5 Pin

Maximum Cells: 18650 52/ 50 pcs

Configurations: 13S4P/ 10S5P

Battery Materials: PC+ABS

Optional: USB Port

Charge port: DC2.1

LED indicator: 4 LED

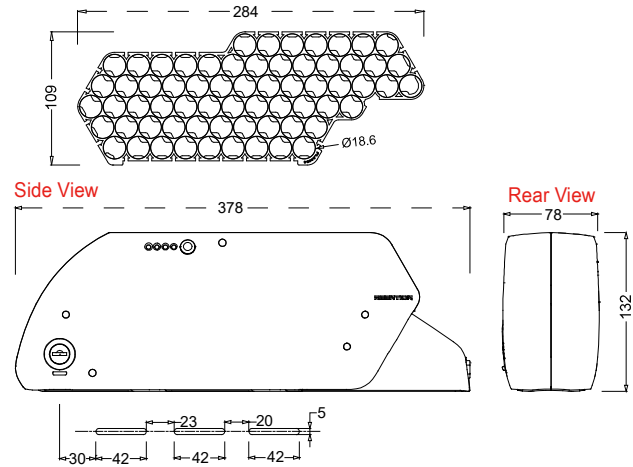
Rate: 8.8Ah - 14.0Ah/ 11.0Ah - 17.5Ah

Tiger Shark III Series

Down Tube Battery Packs



4A fast charger available, refer to P.115



DHS - DHX

RE-DHS3 虎鯊三號

Discharge port: 5 Pin

Maximum Cells: 18650 65/ 60 pcs

Configurations: 13S5P/ 10S6P

Battery Materials: PC+ABS

Optional: USB Port

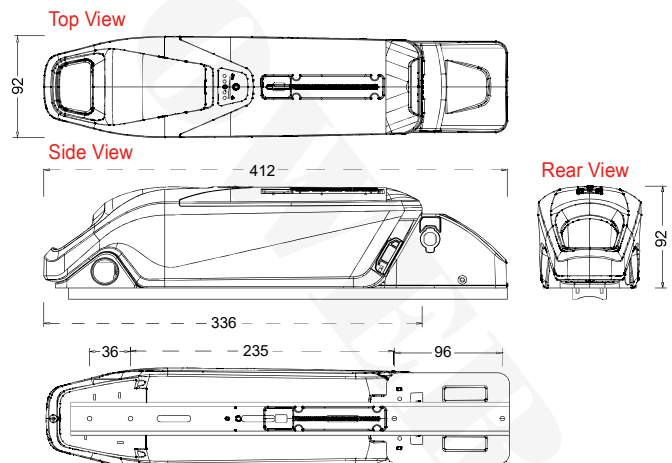
Charge port: DC2.1

LED indicator: 4 LED

Rate: 11.0Ah - 17.5Ah/ 13.2Ah - 21.0Ah

HXH I Series

Down Tube Battery Packs



HY-DHX1 新和諧一號

NEW

Discharge port: 5 Pin

Maximum Cells: 18650 39/ 40 pcs

Configurations: 13S3P/ 10S4P

Battery Materials: PC+ABS

Optional: USB Port

Charge port: DC2.1

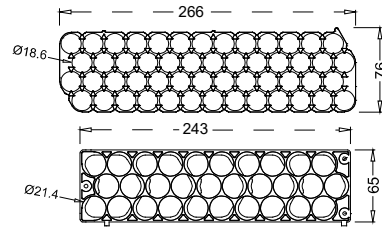
LED indicator: Single LED (Tricolor)

Rate: 6.6Ah - 10.5Ah/ 8.8Ah - 14.0Ah

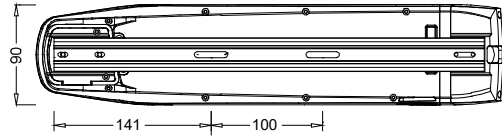
Down Tube Battery Packs

Sea Moon I Series

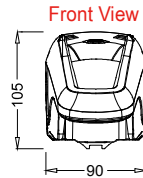
DHY



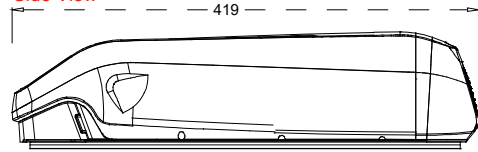
Top View



Side View



Front View



SS-DHY1 海月一號 **NEW**

Optional: N/A

Discharge port: 6 Pin

Charge port: DC2.1

Maximum Cells: 18650 52 pcs & 21700 30 pcs

LED indicator: Single LED (Tricolor)

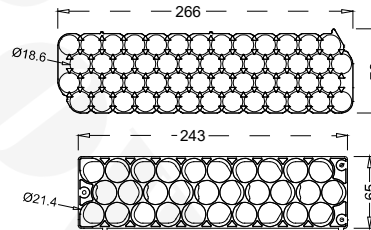
Configurations: 13S4P & 10S3P

Rate: 8.8Ah - 14.0Ah & 15.0Ah

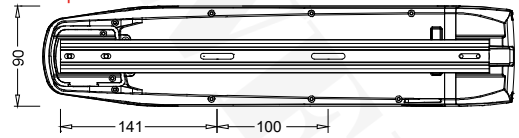
Battery Materials: PC+ABS

Down Tube Battery Packs

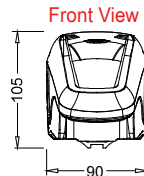
Sea Moon-C Series



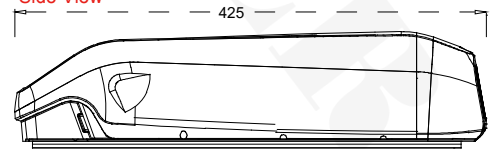
Top View



Side View



Front View



SS-DHY1C 海月-C

Optional: with Controller box

Discharge port: 6 Pin

Charge port: DC2.1

Maximum Cells: 18650 52 pcs & 21700 30 pcs

LED indicator: Single LED (Tricolor)

Configurations: 13S4P/ 10S3P

Rate: 8.8Ah - 14.0Ah & 15.0Ah

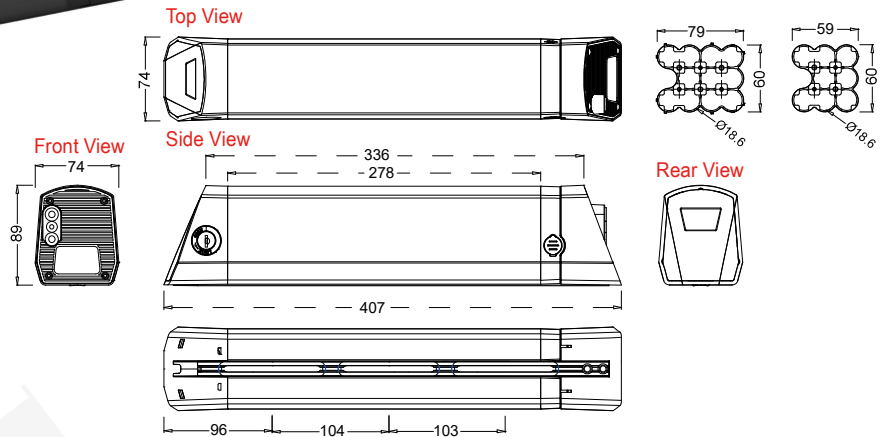
Battery Materials: PC+ABS

Thunder 4C Series

Down Tube Battery Packs



4A fast charger available, refer to P.115

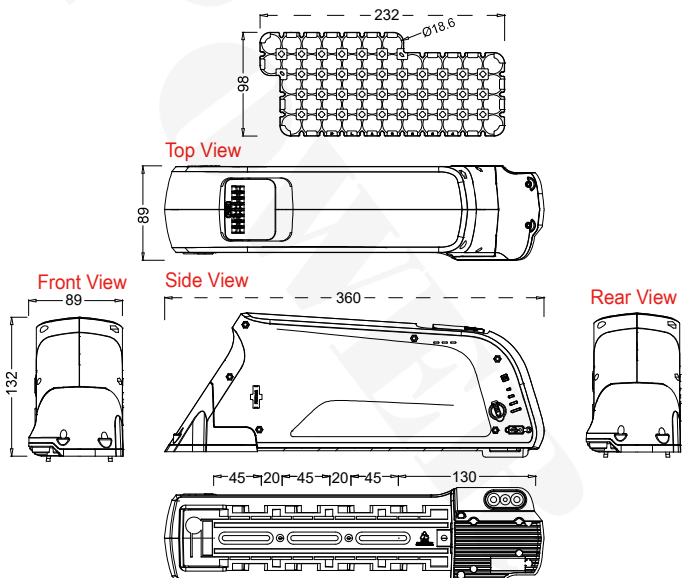


DLT - DQT

RE-DLT4C 雷霆-4C NEW	Optional: N/A
Discharge port: 2 Pin	Charge port: DC2.1
Maximum Cells: 18650 40 pcs	LED indicator: 4 LED
Configurations: 10S4P	Rate: 8.8Ah - 14.0Ah
Battery Materials: Aluminum Alloy 6063/PC+ABS	

Atlas 5C Series

Down Tube Battery Packs



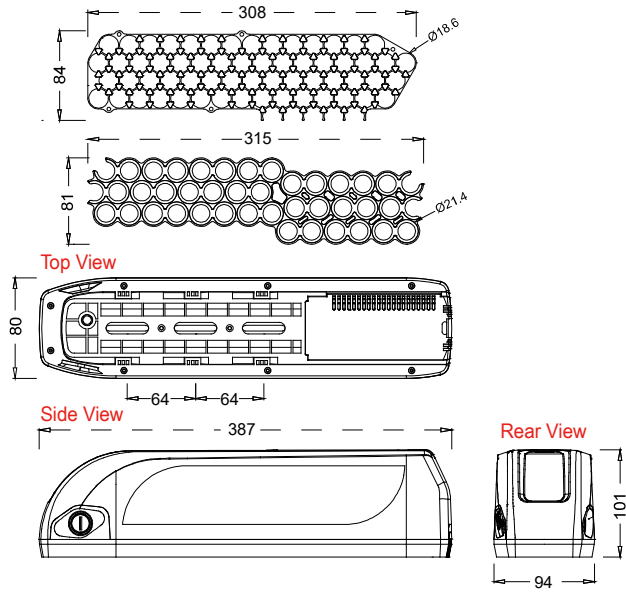
RE-DQT5C 擎天-5C NEW	Optional: USB Port
Discharge port: 2/ 5 Pin	Charge port: DC2.1
Maximum Cells: 18650 52/ 50 pcs	LED indicator: 4 LED
Configurations: 13S4P/ 10S5P	Rate: 8.8Ah - 14.0Ah/ 11.0Ah - 17.5Ah
Battery Materials: PC+ABS	

Down Tube Battery Packs

Sharp I Series

DXP - DYW

21700 cell available



SS-DXP1 夏普一號

Optional: N/A

Discharge port: 5 Pin

Charge port: DC2.1

Maximum Cells: 18650 52/ 50 pcs & 21700 40 pcs

LED indicator: 4 LED

Configurations: 13S4P/ 10S5P & 10S4P

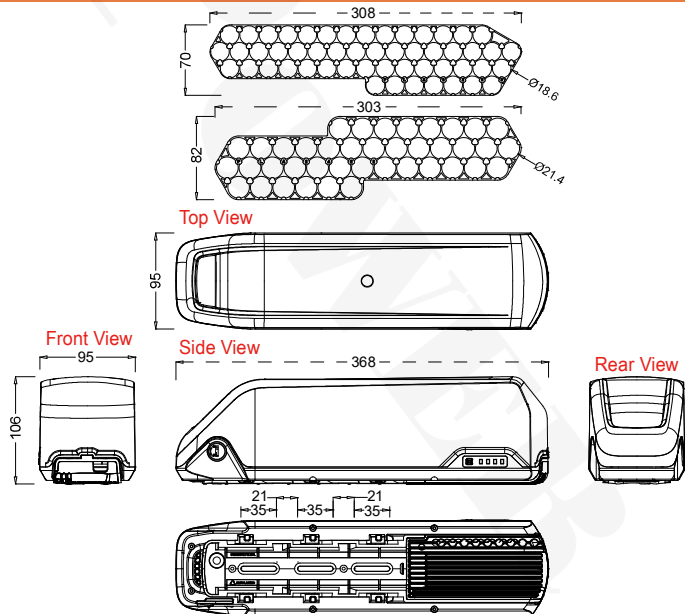
Rate: 8.8Ah - 14.0Ah/ 11.0Ah - 17.5Ah & 20.0Ah

Battery Materials: PC+ABS

Down Tube Battery Packs

Polly 4M Series

21700 cell available



RE-DYW4M 鸚鵡-4M

NEW

Optional: N/A

Discharge port: 4 Pin

Charge port: DC2.1

Maximum Cells: 18650 52 pcs & 21700 40 pcs

LED indicator: 4 LED

Configurations: 13S4P/ 10S4P

Rate: 8.8Ah - 14.0Ah & 20.0Ah

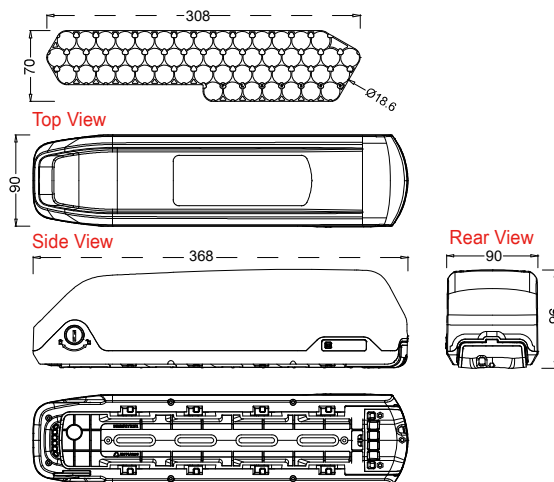
Battery Materials: PC+ABS

Polly V Series

Down Tube Battery Packs



4A fast charger available, refer to P.115



DYW

RE-DYW5 鸚鵡五號

NEW

Optional: N/A

Discharge port: 5 Pin

Charge port: DC2.1

Maximum Cells: 18650 56/ 52/ 50 pcs

LED indicator: 4 LED

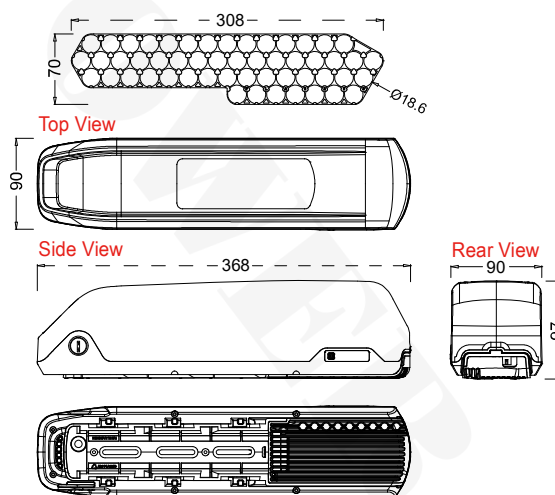
Configurations: 14S4P/ 13S4P/ 10S5P

Rate: 8.8Ah - 14.0Ah/ 11.0Ah - 17.5Ah

Battery Materials: PC+ABS

Polly 5C Series

Down Tube Battery Packs



RE-DYW5C 鸚鵡5C

NEW

Optional: N/A

Discharge port: 4 Pin

Charge port: DC2.1

Maximum Cells: 18650 52/ 50 pcs

LED indicator: 4 LED

Configurations: 13S4P/ 10S5P

Rate: 8.8Ah - 14.0Ah/ 11.0Ah - 17.5Ah

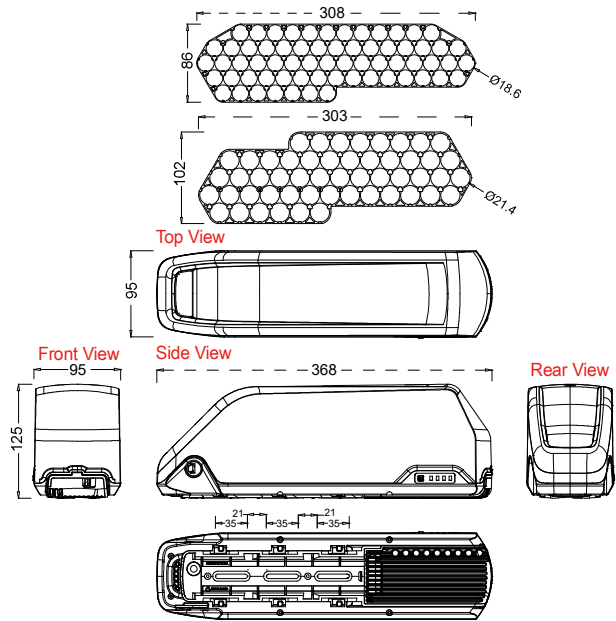
Battery Materials: PC+ABS

Down Tube Battery Packs

Polly 5M Series

DYW

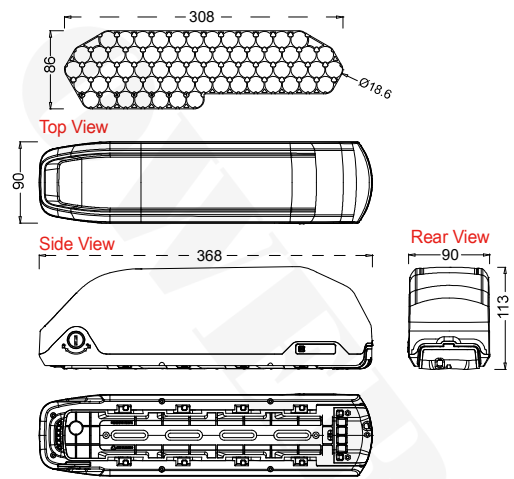
21700 cell available



RE-DYW5M 鸚鵡-5M NEW	Optional: N/A
Discharge port: 4 Pin	Charge port: DC2.1
Maximum Cells: 18650 65 pcs & 21700 52 pcs	LED indicator: 4 LED
Configurations: 13S5P & 13S4P	Rate: 11.0Ah - 17.5Ah & 20.0Ah
Battery Materials: PC+ABS	

Down Tube Battery Packs

Polly VI Series



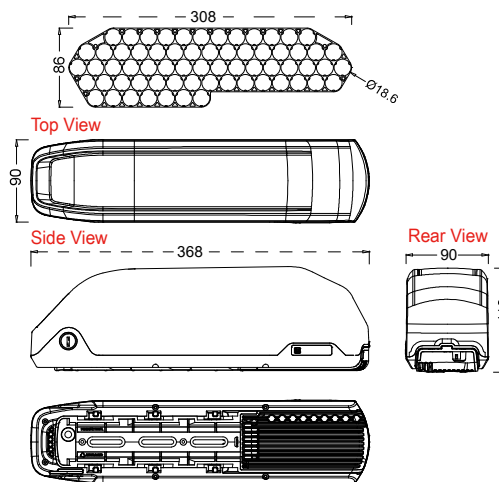
RE-DYW6 鸚鵡六號 NEW	Optional: N/A
Discharge port: 5 Pin	Charge port: DC2.1
Maximum Cells: 18650 70/ 65 pcs	LED indicator: 4 LED
Configurations: 14S5P/ 10S7P/ 13S5P	Rate: 11.0Ah - 17.5Ah/ 15.4Ah - 24.5Ah
Battery Materials: PC+ABS	

Polly 6C Series

Down Tube Battery Packs



4A fast charger available, refer to P.115



DYW

RE-DYW6C 鸚鵡-6C

NEW

Optional: N/A

Discharge port: 4 Pin

Charge port: DC2.1

Maximum Cells: 18650 65/ 60 pcs

LED indicator: 4 LED

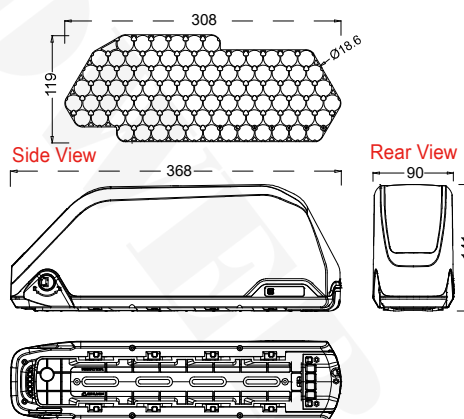
Configurations: 13S5P/ 10S6P

Rate: 11.0Ah - 17.5Ah/ 13.2Ah - 21.0Ah

Battery Materials: PC+ABS

Polly IX Series

Down Tube Battery Packs



RE-DYW9 鸚鵡九號

NEW

Optional: N/A

Discharge port: 5 Pin

Charge port: DC2.1

Maximum Cells: 18650 91/ 90 pcs

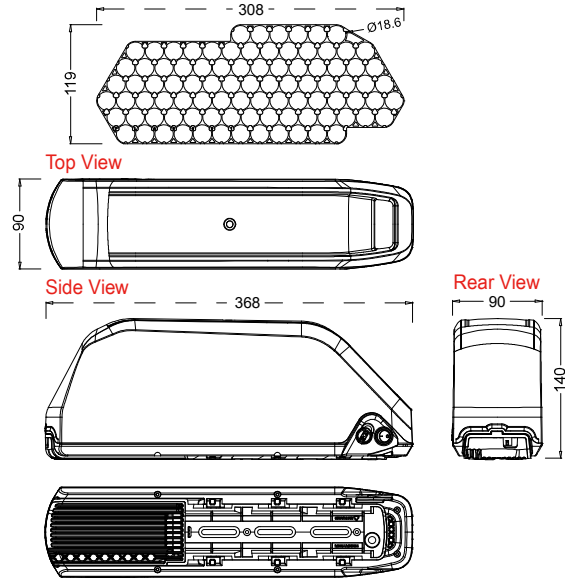
LED indicator: 4 LED

Configurations: 13S7P/ 10S9P

Rate: 15.4Ah - 24.5Ah/ 19.8Ah - 31.5Ah

Battery Materials: PC+ABS

DYW



RE-DYW9C 鸚鵡-9C **NEW**

Optional: N/A

Discharge port: 4 Pin

Charge port: DC2.1

Maximum Cells: 18650 84/ 78/ 80 pcs

LED indicator: 4 LED

Configurations: 14S6P/ 13S6P/ 10S8P

Rate: 13.2Ah - 21.0Ah/ 17.6Ah - 28.0Ah

Battery Materials: PC+ABS

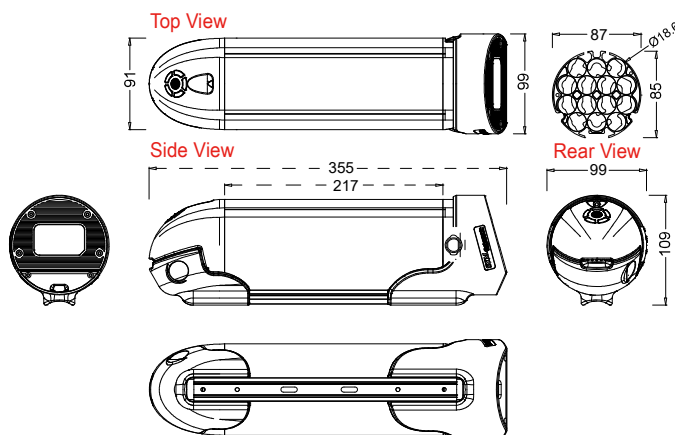
Train II Series

Water Bottle Battery Packs



4A fast charger available, refer to P.115

Tube:
Ø88mm



WDC - WHT

Colour: ■ Black □ Silver

SS-WDC2 動車二號 * Spring Lock

Optional: N/A

Discharge port: 5 Pin

Charge port: DC2.1

Maximum Cells: 18650 39/ 40 pcs

LED indicator: 5 LED

Configurations: 13S3P/ 10S4P

Rate: 6.6Ah - 10.5Ah/ 8.8Ah - 14.0Ah

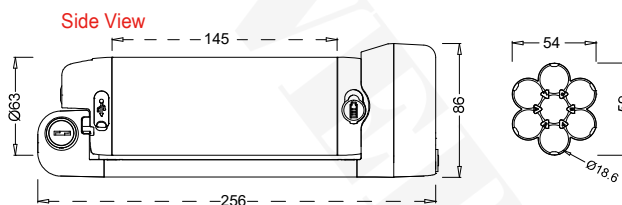
Battery Materials: Aluminum Alloy 6063/PC+ABS

Cuttle 1C Series

Water Bottle Battery Packs



Tube:
Ø63mm



RE-WHT1C 海兔-1C

NEW

Optional: USB Port

Discharge port: 2 Pin

Charge port: DC2.1

Maximum Cells: 18650 14 pcs

LED indicator: Single LED (Tricolor)

Configurations: 7S2P

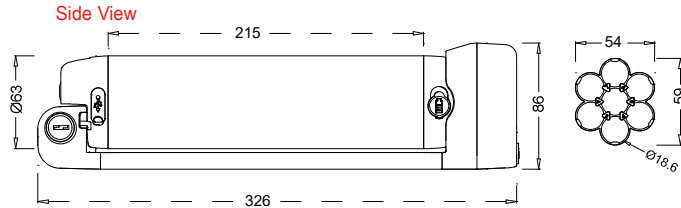
Rate: 4.4Ah - 7.0Ah

Battery Materials: PC+ABS

WHT - WJG



Tube:
Ø63mm



RE-WHT2C 海兔-2C

NEW

Discharge port: 2 Pin

Maximum Cells: 18650 20/ 21 pcs

Configurations: 10S2P/ 7S3P

Battery Materials: PC+ABS

Optional: USB Port

Charge port: DC2.1/ 2.5

LED indicator: Single LED (Tricolor)

Rate: 4.4Ah - 7.0Ah/ 6.6Ah - 10.5Ah

Tube:
Ø81.5mm

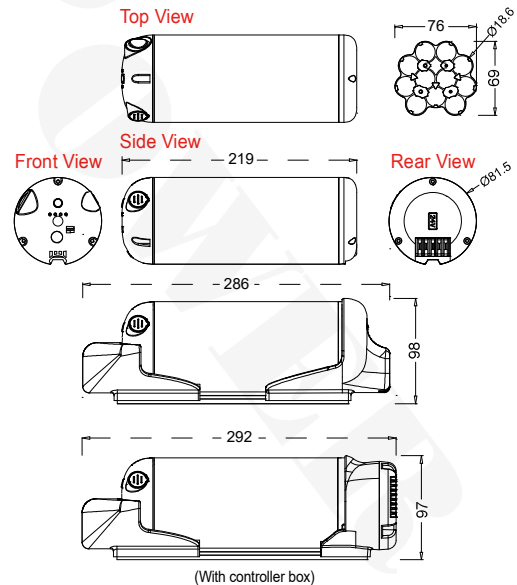


Standard Base
Dimensions (mm):
286 (L) x 88 (W) x 98 (H)



Optional Base
Dimensions (mm):
292 (L) x 96 (W) x 97 (H)

Colour: ■ Black □ Silver



YL-WJG1 金龜一號

Discharge port: 5 Pin

Maximum Cells: 18650 21 pcs

Configurations: 7S3P

Battery Materials: Aluminum Alloy 6063/PC+ABS

Optional: Controller available (Model: ERC-U)

Charge port: DC2.5

LED indicator: 4 LED

Rate: 6.6Ah - 10.5Ah

Scarab II Series

Water Bottle Battery Packs

Tube:
Ø81.5mm



Colour: ■ Black □ Silver

YL-WJG2 金龜二號

Discharge port: 5 Pin

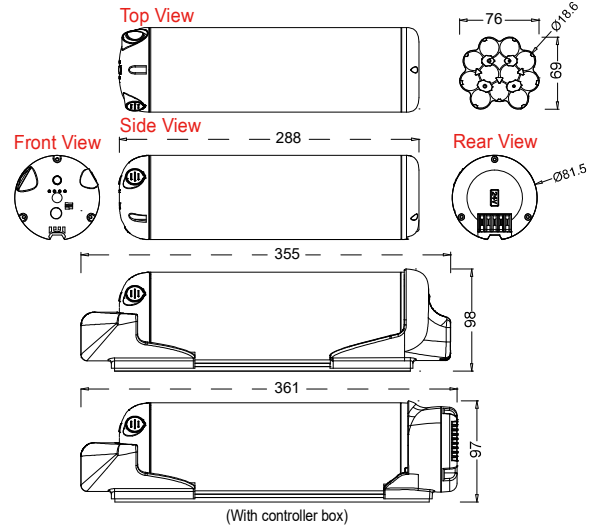
Maximum Cells: 18650 28 pcs

Configurations: 7S4P

Battery Materials: Aluminum Alloy 6063/PC+ABS



4A fast charger available, refer to P.115



Optional: Controller available (Model: ERC-U)

Charge port: DC2.5

LED indicator: 4 LED

Rate: 8.8Ah - 14.0Ah

WJG

Scarab III Series

Water Bottle Battery Packs

Tube:
Ø81.5mm



Colour: ■ Black □ Silver

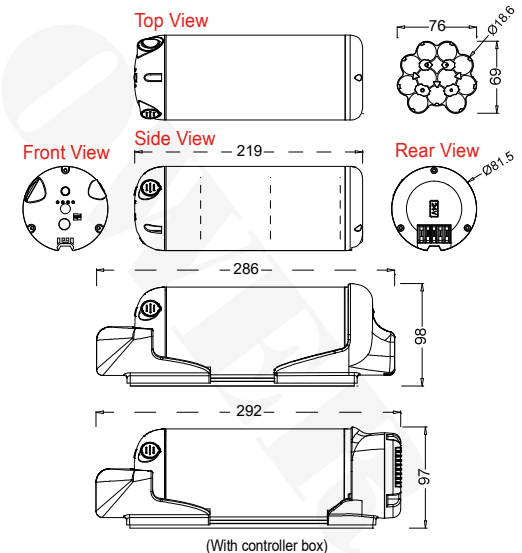
YL-WJG3 金龜三號

Discharge port: 5 Pin

Maximum Cells: 18650 20 pcs

Configurations: 10S2P

Battery Materials: Aluminum Alloy 6063/PC+ABS



Optional: Controller available (Model: ERC-U)

Charge port: DC2.1

LED indicator: 4 LED

Rate: 4.4Ah - 7.0Ah

Water Bottle Battery Packs

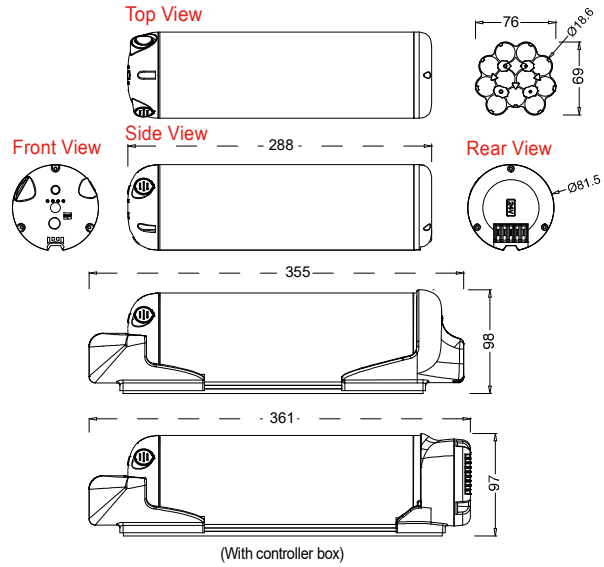
Scarab IV Series

WJG - WTN

Tube:
Ø81.5mm



Colour: ■ Black □ Silver



YL-WJG4 金龜四號

Optional: Controller available (Model: ERC-U)

Discharge port: 5 Pin

Charge port: DC2.1

Maximum Cells: 18650 30 pcs

LED indicator: 4 LED

Configurations: 10S3P

Rate: 6.6Ah - 10.5Ah

Battery Materials: Aluminum Alloy 6063/PC+ABS

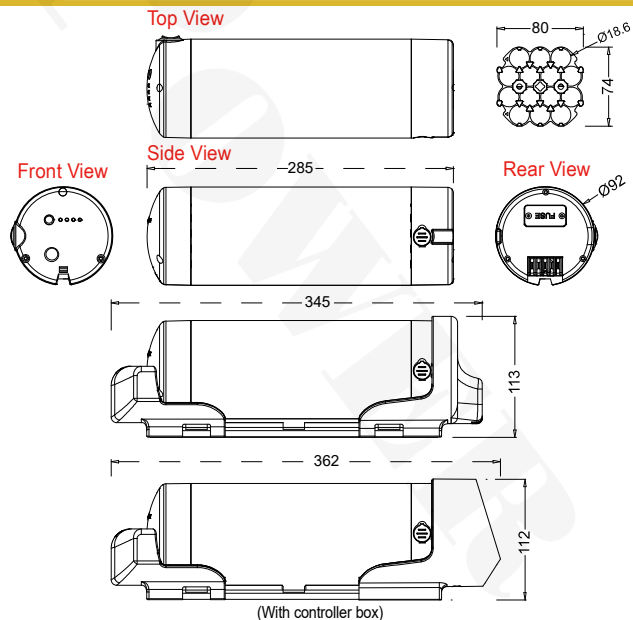
Water Bottle Battery Packs

Sky Bull I Series

Tube:
Ø92mm



Colour: ■ Black □ Silver



YL-WTN1 天牛一號

Optional: N/A

Discharge port: 5 Pin

Charge port: DC2.1

Maximum Cells: 18650 39/ 40 pcs

LED indicator: 4 LED

Configurations: 13S3P/ 10S4P

Rate: 6.6Ah - 10.5Ah/ 8.8Ah - 14.0Ah

Battery Materials: Aluminum Alloy 6063/PC+ABS

Sky Bull II Series

Water Bottle Battery Packs



4A fast charger available, refer to P.115

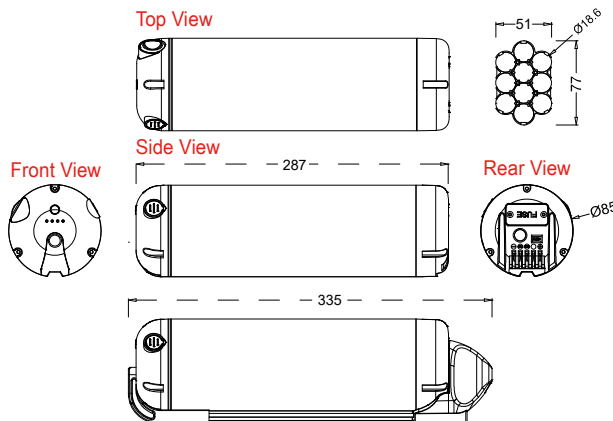
Tube:
Ø85mm



Base Dimensions (mm):
335 (L) x 81 (W) x 78 (H)



Colour: ■ Black □ Silver



WTN - WXQ

YL-WTN2 天牛二號

Optional: N/A

Discharge port: 5 Pin

Charge port: DC3.0

Maximum Cells: 18650 36 pcs

LED indicator: 4 LED

Configurations: 12S3P

Rate: 6.6Ah - 10.5Ah

Battery Materials: Aluminum Alloy 6063/PC+ABS

Dragonfly I Series

Water Bottle Battery Packs

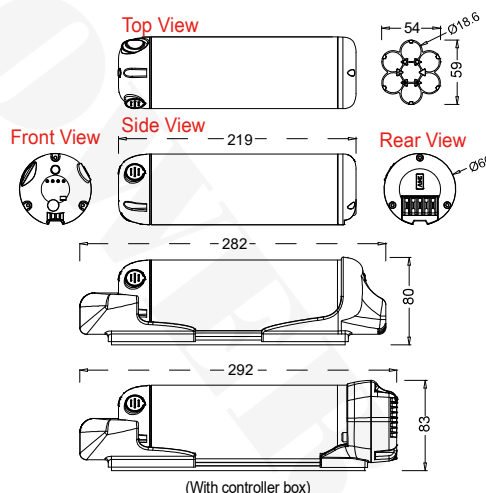
Tube:
Ø66mm



Standard Base
Dimensions (mm):
282 (L) x 71 (W) x 80 (H)



Optional Base
Dimensions (mm):
292 (L) x 84 (W) x 83 (H)



Colour: ■ Black □ Silver

YL-WXQ1 小蜻蜓一號

Optional: Controller available (Model: ERC-T)

Discharge port: 5 Pin

Charge port: DC2.5

Maximum Cells: 18650 14 pcs

LED indicator: 4 LED

Configurations: 7S2P

Rate: 4.4Ah - 7.0Ah

Battery Materials: Aluminum Alloy 6063/PC+ABS

Water Bottle Battery Packs

Dragonfly II Series

WXQ

Tube:
Ø66mm



Colour: Black Silver

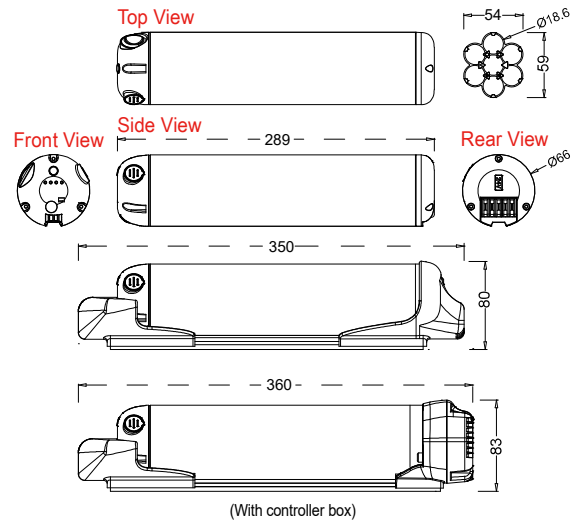
YL-WXQ2 小蜻蜓二號

Discharge port: 5 Pin

Maximum Cells: 18650 21 pcs

Configurations: 7S3P

Battery Materials: Aluminum Alloy 6063/PC+ABS



Optional: Controller available (Model: ERC-T)

Charge port: DC2.5

LED indicator: 4 LED

Rate: 6.6Ah - 10.5Ah

Water Bottle Battery Packs

Dragonfly III Series

Tube:
Ø66mm



Colour: Black Silver

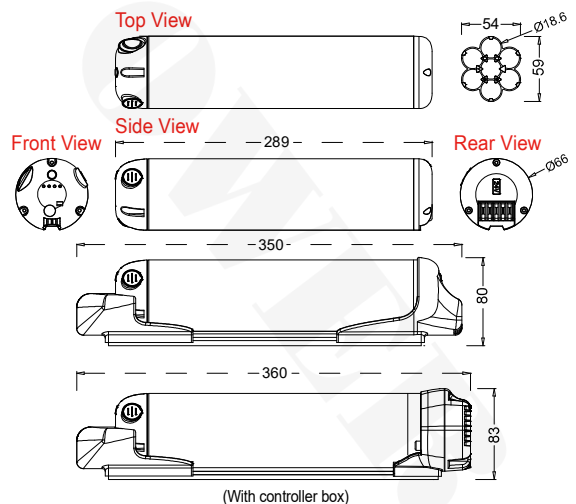
YL-WXQ3 小蜻蜓三號

Discharge port: 5 Pin

Maximum Cells: 18650 20 pcs

Configurations: 10S2P

Battery Materials: Aluminum Alloy 6063/PC+ABS



Optional: Controller available (Model: ERC-T)

Charge port: DC2.1

LED indicator: 4 LED

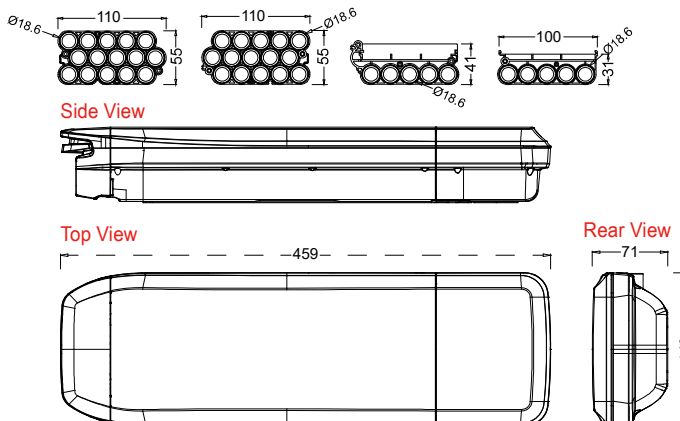
Rate: 4.4Ah - 7.0Ah

Apollo I Series

Rear Carrier Battery Packs



4A fast charger available, refer to P.115



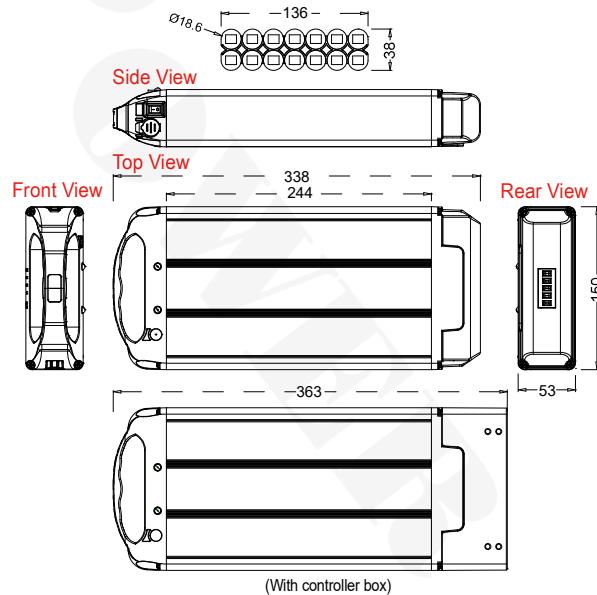
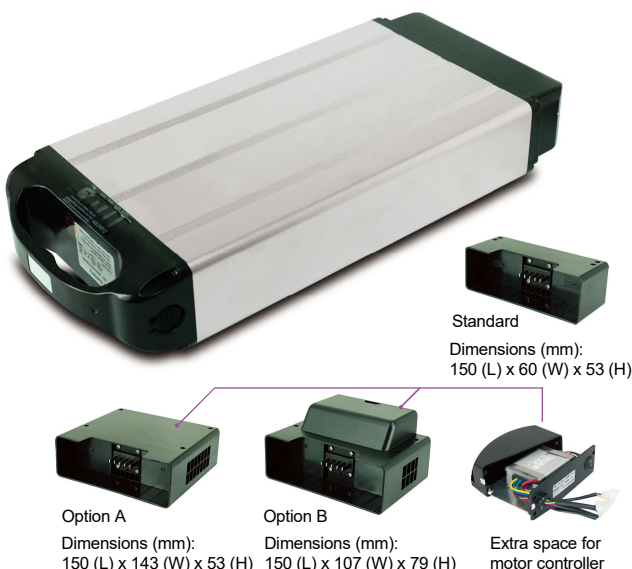
CAP - CBY

Colour: ■ Black ■ Silver Grey

KN-CAP1 Apollo一號	Optional: Rear Light
Discharge port: 4 Pin	Charge port: DC2.1
Maximum Cells: 18650 52/ 50 pcs	LED indicator: 5 LED
Configurations: 13S4P/ 10S5P	Rate: 8.8Ah - 14.0Ah/ 11.0Ah - 17.5Ah
Battery Materials: PC+ABS	

White Cloud I Series

Rear Carrier Battery Packs

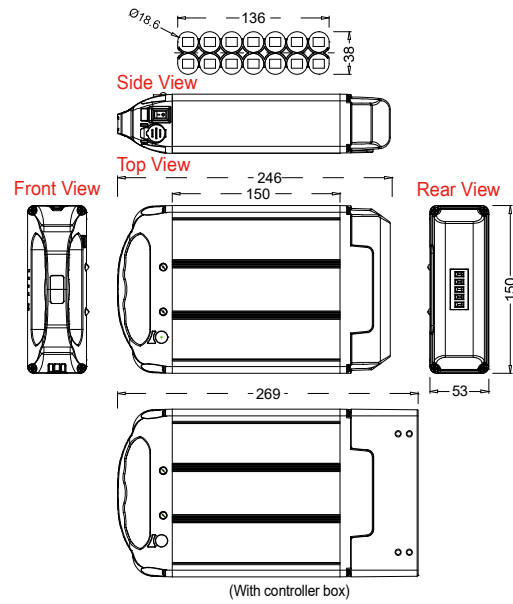


YL-CBY1 白雲一號	Optional: Controller available (Model: ERC-A/C/F/G/H)
Discharge port: 5 Pin	Charge port: DC2.1/ DC2.5
Maximum Cells: 18650 40/ 30/ 35 pcs	LED indicator: 4 LED
Configurations: 10S4P/ 10S3P/ 7S5P	Rate: 8.8Ah - 14.0Ah/ 6.6Ah - 10.5Ah/ 11.0Ah - 17.5Ah
Battery Materials: Aluminum Alloy 6063/ PC+ABS	

Rear Carrier Battery Packs

White Cloud II Series

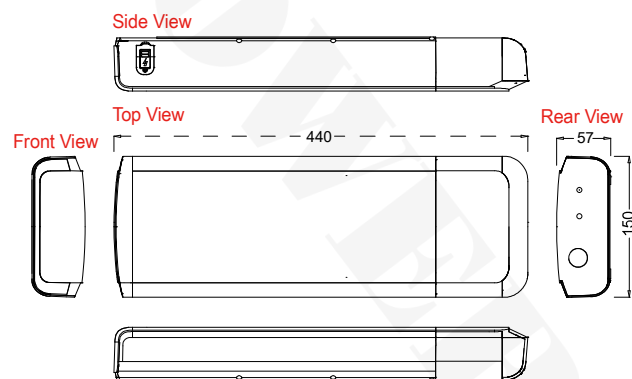
CBY - CCB



YL-CBY2 白雲二號	Optional: Controller available (Model: ERC-A/C/F/G/H)
Discharge port: 5 Pin	Charge port: DC2.5
Maximum Cells: 18650 28 pcs	LED indicator: 4 LED
Configurations: 7S4P	Rate: 8.8Ah - 14.0Ah
Battery Materials: Aluminum Alloy 6063/ PC+ABS	

Rear Carrier Battery Packs

N115 I Series



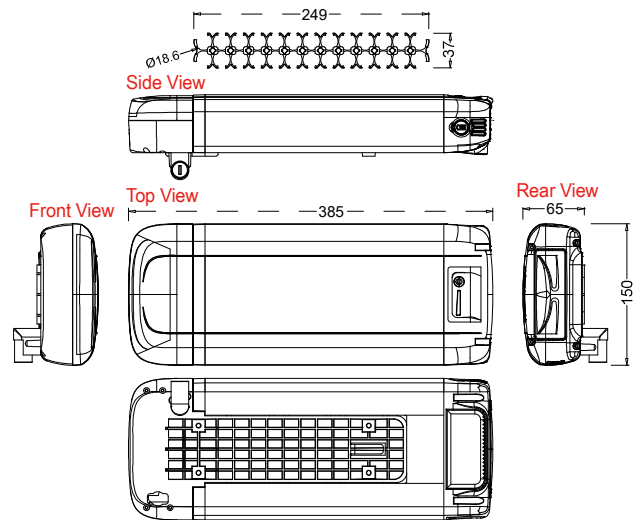
KN-CCB1 N115一號	Optional: N/A
Discharge port: 3 Pin	Charge port: DC2.1
Maximum Cells: 18650 52/ 50 pcs	LED indicator: N/A
Configurations: 13S4P/ 10S5P	Rate: 8.8Ah - 14.0Ah/ 11.0Ah - 17.5Ah
Battery Materials: PC+ABS	

Blizzard I Series

Rear Carrier Battery Packs



4A fast charger available, refer to P.115



CFX - CGIM

YL-CFX1 飛雪一號

Discharge port: 5 Pin

Maximum Cells: 18650 52/ 50 pcs

Configurations: 13S4P/ 10S5P

Battery Materials: Aluminum Alloy 6063/ PC+ABS

Optional: Rear Light

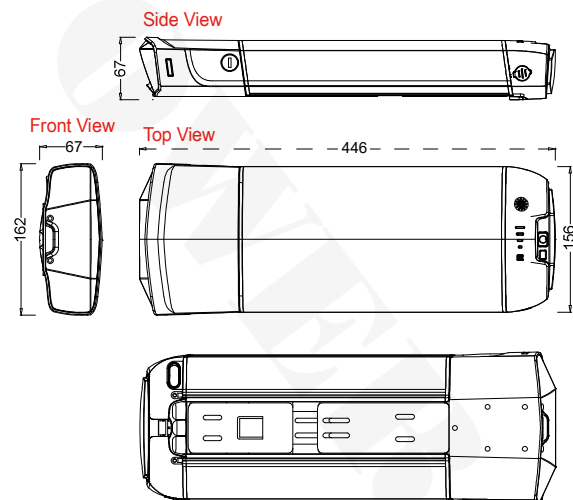
Charge port: DC2.1

LED indicator: 5 LED

Rate: 8.8Ah - 14.0Ah/ 11.0Ah - 17.5Ah

Brilliance III Series

Rear Carrier Battery Packs



RE-CGM3T 光芒三號

Discharge port: 7 Pin

Maximum Cells: 18650 52/ 50 pcs

Configurations: 13S4P/ 10S5P

Battery Materials: PC+ABS

Optional: Rear Light

Charge port: DC2.1

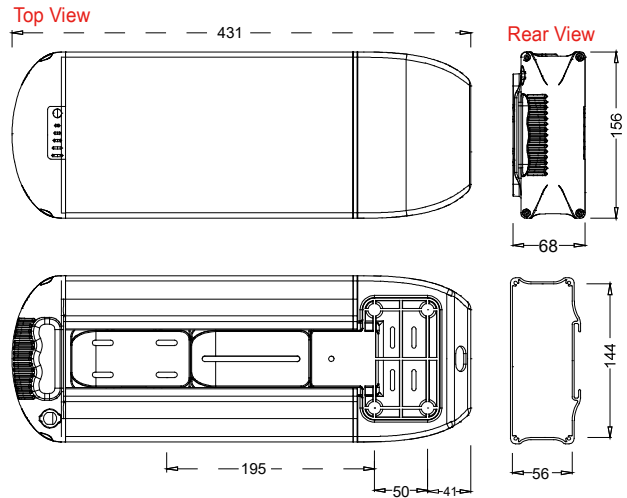
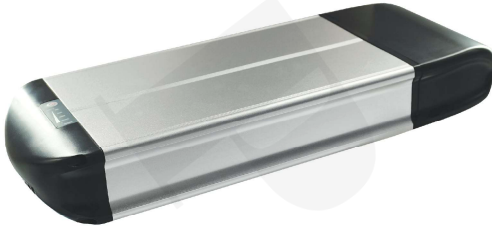
LED indicator: 4 LED

Rate: 8.8Ah - 14.0Ah/ 11.0Ah - 17.5Ah

Rear Carrier Battery Packs

Dolphin I Series

CHD



SS-CHD1 海豚一號

Discharge port: 2 Pin

Maximum Cells: 18650 52/ 50 pcs

Configurations: 13S4P/ 10S5P

Battery Materials: Aluminum Alloy 6063/ PC+ABS

Optional: N/A

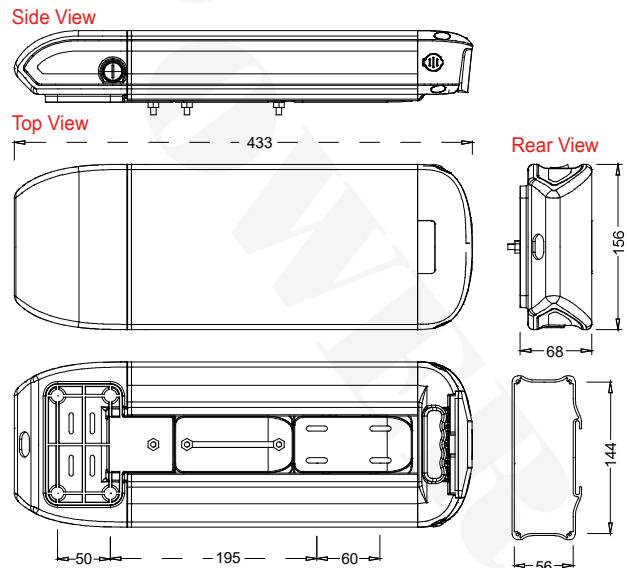
Charge port: DC2.1

LED indicator: 5 LED

Rate: 8.8Ah - 14.0Ah/ 11.0Ah - 17.5Ah

Rear Carrier Battery Packs

Dolphin III Series



SS-CHD3 海豚三號

Discharge port: 2 Pin

Maximum Cells: 18650 52/ 50 pcs

Configurations: 13S4P/ 10S5P

Battery Materials: Aluminum Alloy 6063/ PC+ABS

Optional: Rear Light

Charge port: DC2.1

LED indicator: 5 LED

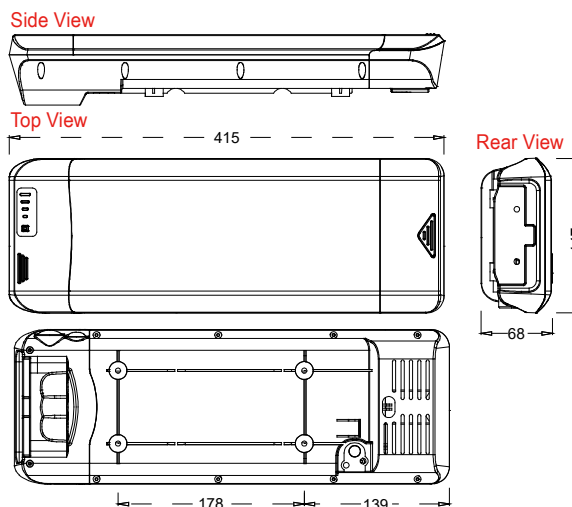
Rate: 8.8Ah - 14.0Ah/ 11.0Ah - 17.5Ah

Hai Tian I Series

Rear Carrier Battery Packs



4A fast charger available, refer to P.115



CHT - CHY

SS-CHT1 海天一號

Discharge port: 4 Pin

Maximum Cells: 18650 40 pcs

Configurations: 10S4P

Battery Materials: PC+ABS

Optional: Reflector

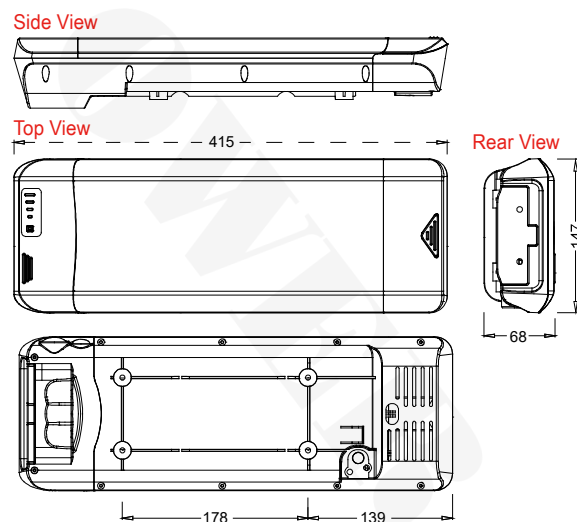
Charge port: DC2.1

LED indicator: 4 LED

Rate: 8.8Ah - 14.0Ah

Hai Ying IV Series

Rear Carrier Battery Packs



SS-CHY4 海鷹四號

Discharge port: 4 Pin

Maximum Cells: 18650 40 pcs

Configurations: 10S4P

Battery Materials: PC+ABS

Optional: Rear Light

Charge port: DC2.1

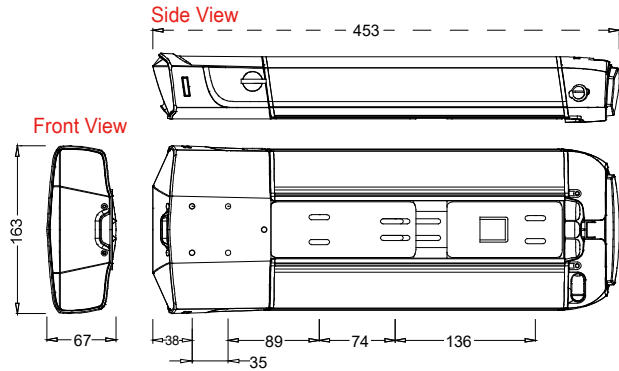
LED indicator: 4 LED

Rate: 8.8Ah - 14.0Ah

Rear Carrier Battery Packs

Lucky Dragon I Series

CJL - CLT



SS-CJL1 吉龍一號

Discharge port: 6 Pin

Maximum Cells: 18650 52/ 50/ 40 pcs

Configurations: 13S4P/ 10S5P/ 10S4P

Battery Materials: Aluminum Alloy 6063/ PC+ABS

Optional: Rear Light

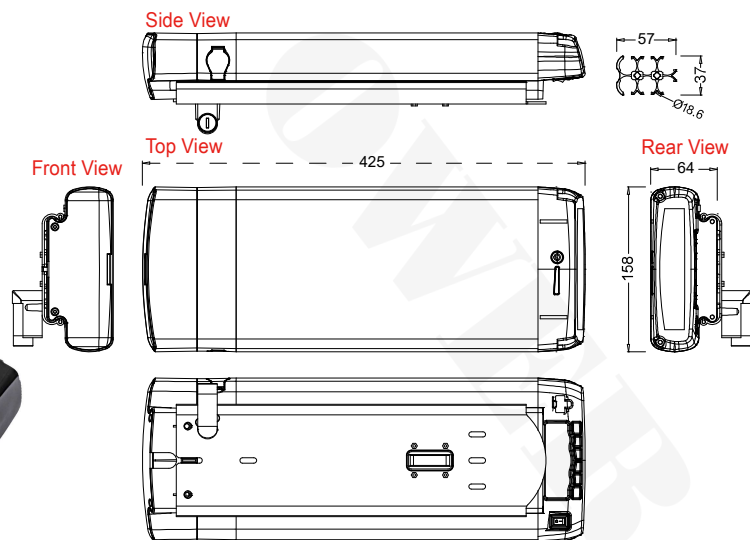
Charge port: DC2.1

LED indicator: 4 LED

Rate: 8.8Ah - 14.0Ah/ 11.0Ah - 17.5Ah

Rear Carrier Battery Packs

Blue Sky I Series



YL-CLT1 藍天一號

Discharge port: 5 Pin

Maximum Cells: 18650 65/ 52/ 60/ 50/ 40 pcs

Configurations: 13S5P/ 13S4P/ 10S6P/ 10S5P/ 10S4P

Battery Materials: Aluminum Alloy 6063/ PC+ABS

Optional: USB Port & Rear Light

Charge port: DC2.1

LED indicator: 4 LED

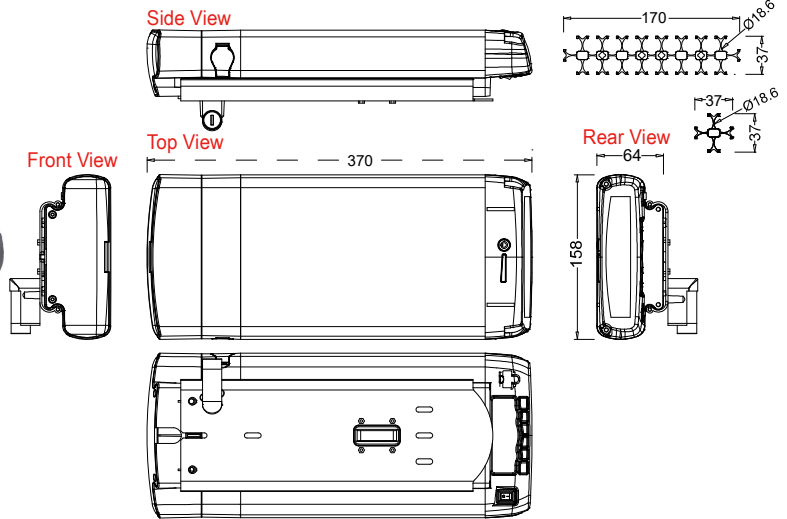
Rate: 11.0Ah - 17.5Ah/ 8.8Ah - 14.0Ah/ 13.2Ah - 21.0Ah

Blue Sky II Series

Rear Carrier Battery Packs



4A fast charger available, refer to P.115



CLT

YL-CLT2 藍天二號

Optional: USB Port & Rear Light

Discharge port: 5 Pin

Charge port: DC2.1

Maximum Cells: 18650 39/ 40/ 30 pcs

LED indicator: 4 LED

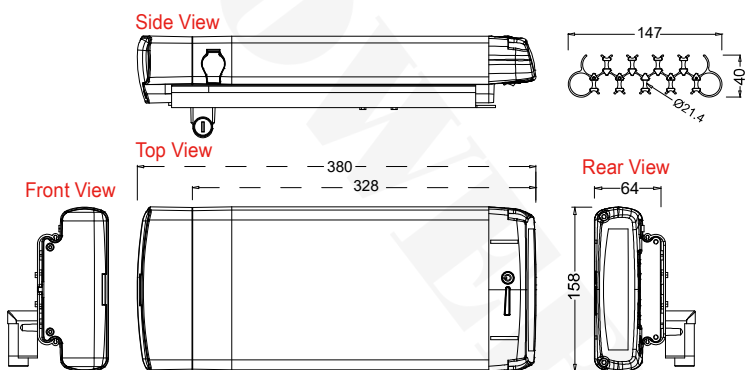
Configurations: 13S3P/ 10S4P/ 10S3P

Rate: 6.6Ah - 10.5Ah/ 8.8Ah - 14.0Ah

Battery Materials: Aluminum Alloy 6063/ PC+ABS

Blue Sky III Series

Rear Carrier Battery Packs



YL-CLT3 藍天三號

NEW

Optional: USB Port & Rear Light

Discharge port: 5 Pin

Charge port: DC2.1

Maximum Cells: 21700 50 pcs

LED indicator: 4 LED

Configurations: 10S5P

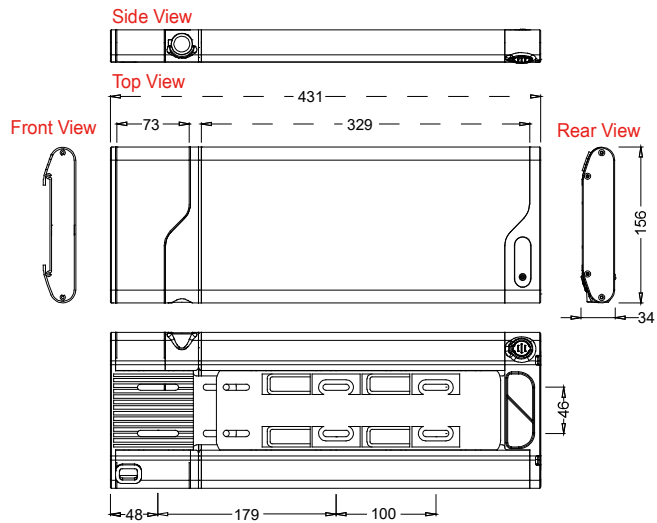
Rate: 25.0Ah

Battery Materials: Aluminum Alloy 6063/PC+ABS

Rear Carrier Battery Packs

Shooting Star I Series

CLX - CLY



Colour: ■ Black □ White

SS-CLX1 流星一號

Optional: N/A

Discharge port: 5 Pin

Charge port: DC2.1

Maximum Cells: 18650 30 pcs

LED indicator: 5 LED

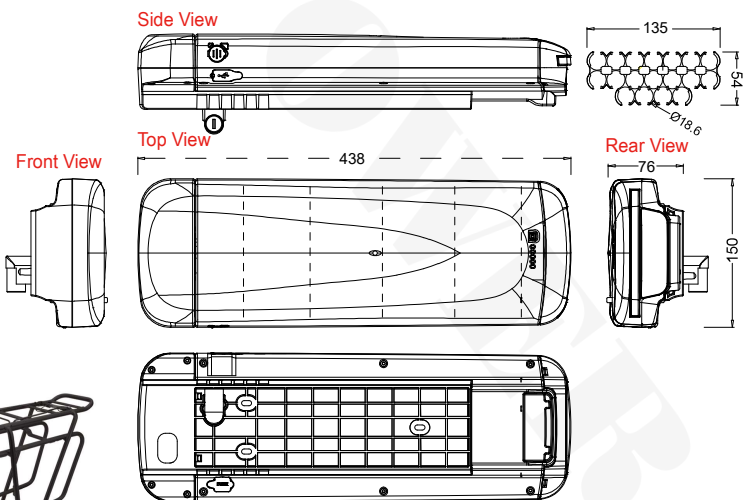
Configurations: 10S3P

Rate: 6.6Ah - 10.5Ah

Battery Materials: Aluminum Alloy 6063/ PC+ABS

Rear Carrier Battery Packs

Thunderstorm I Series



Colour: ■ Black ■ Silver Grey

YL-CLY1 雷雨一號

Optional: USB Port & Rear Light

Discharge port: 6 Pin

Charge port: DC2.1

Maximum Cells: 18650 65/ 52/ 39/ 70/ 60/ 50/ 40 pcs

LED indicator: 5 LED

Configurations: 13S5P/ 13S4P/ 13S3P/ 10S7P/ 10S6P/ 10S5P/ 10S4P

Rate: 11.0Ah - 17.5Ah/ 8.8Ah - 14.0Ah/ 6.6Ah - 10.5Ah/ 15.4Ah - 24.5Ah/ 13.2Ah - 21.0Ah

Battery Materials: PC+ABS

Lightning I Series

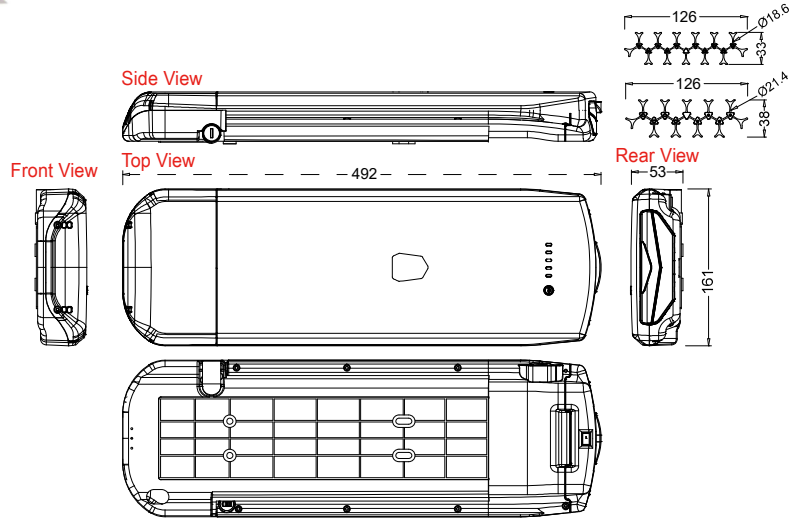
Rear Carrier Battery Packs



21700 cell available



4A fast charger available, refer to P.115

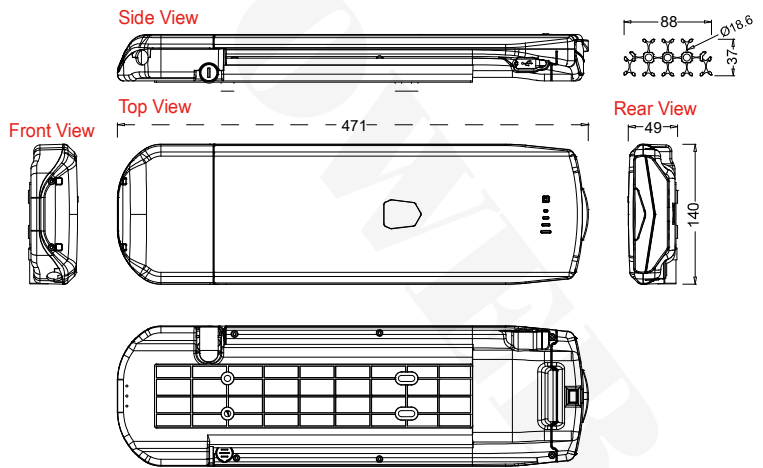


CSD

YL-CSD1 閃電一號 NEW	Optional: USB Port & Rear Light
Discharge port: 5 Pin	Charge port: DC2.1
Maximum Cells: 21700 39/ 40 pcs & 18650 52/ 50 pcs	LED indicator: 5 LED
Configurations: 13S3P/ 10S4P & 13S4P/ 10S5P	Rate: 15.0Ah/ 20.0Ah & 8.8Ah - 14.0Ah/ 11.0Ah - 17.5Ah
Battery Materials: PC+ABS	

Lightning II Series

Rear Carrier Battery Packs

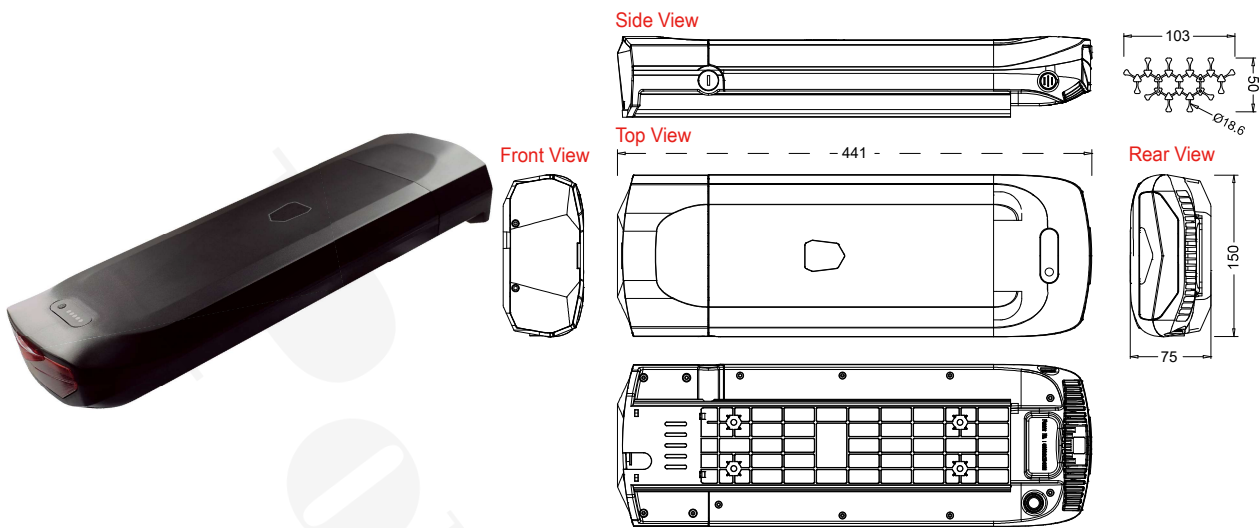


YL-CSD2 閃電二號	Optional: USB Port & Rear Light
Discharge port: 6 Pin	Charge port: DC2.1
Maximum Cells: 18650 39/ 40 pcs	LED indicator: 4 LED
Configurations: 13S3P/ 10S4P	Rate: 6.6Ah - 10.5Ah/ 8.8Ah - 14.0Ah
Battery Materials: PC+ABS	

Rear Carrier Battery Packs

Matsushita II Series

CSX - CTL



YL-CSX2 松下二號

Discharge port: 6 Pin

Maximum Cells: 18650 52/ 39/ 50/ 40 pcs

Configurations: 13S4P/ 13S3P/ 10S5P/ 10S4P

Battery Materials: PC+ABS

Optional: Rear Light

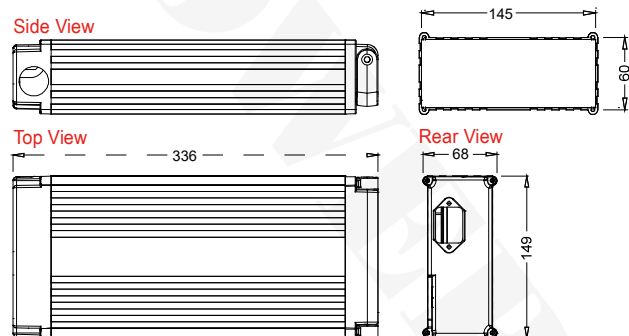
Charge port: DC2.1

LED indicator: 5 LED

Rate: 8.8Ah- 14.0Ah/ 6.6Ah - 10.5Ah/ 11.0Ah - 17.5Ah

Rear Carrier Battery Packs

Sky Dragon I Series



SS-CTL1 天龍一號

Discharge port: 3 Pin

Maximum Cells: 18650 52/ 50 pcs

Configurations: 13S4P/ 10S5P

Battery Materials: Aluminum Alloy 6063/PC+ABS

Optional: N/A

Charge port: DC2.1

LED indicator: N/A

Rate: 8.8Ah - 14.0Ah/ 11.0Ah - 17.5Ah

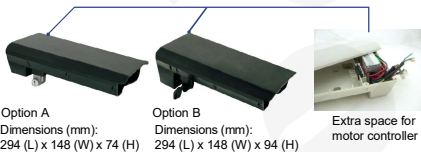
Rear Carrier Battery Packs

Breeze II Series

CWF - CYS



Standard Dimensions (mm): 245 (L) x 148 (W) x 60 (H)



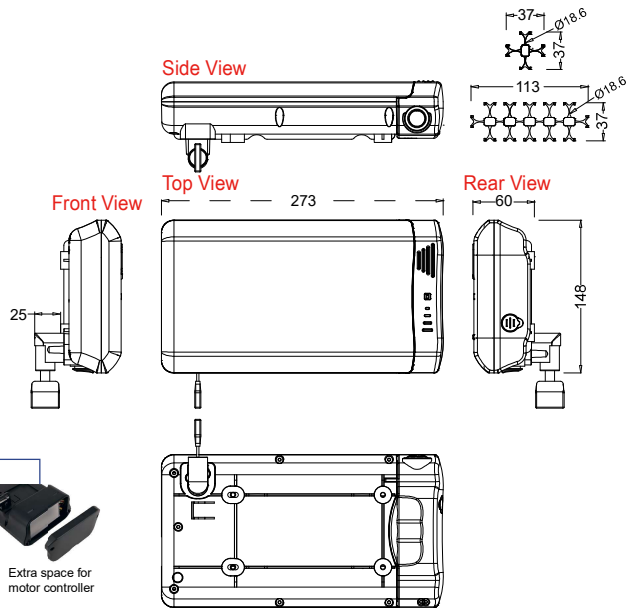
Option A Dimensions (mm): 294 (L) x 148 (W) x 74 (H)

Option B Dimensions (mm): 294 (L) x 148 (W) x 94 (H)

Extra space for motor controller



Option C Dimensions (mm): 309 (L) x 148 (W) x 74 (H)



Colour: Black Beige

YL-CWF2 微風二號

Optional: Controller available (Model: ERC-A/C/F/G/H)

Discharge port: 5 Pin

Charge port: DC2.1/ DC2.5

Maximum Cells: 18650 30/ 28 pcs

LED indicator: 4 LED

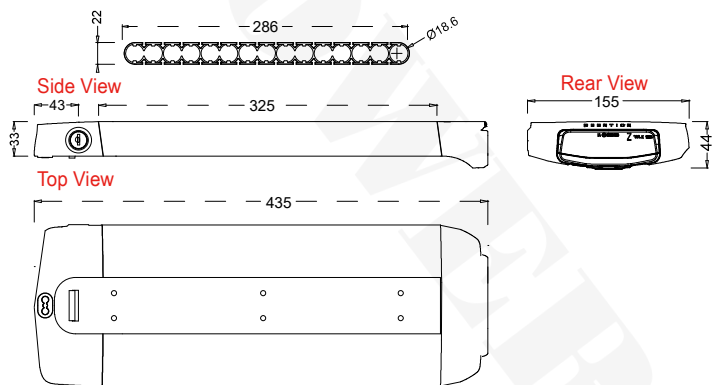
Configurations: 10S3P/ 7S4P

Rate: 6.6Ah - 10.5Ah/ 8.8Ah - 14.0Ah

Battery Materials: PC+ABS

Rear Carrier Battery Packs

Silvertip Shark I Series



Colour: Black Silver

RE-CYS1 銀鯊一號

Optional: N/A

Discharge port: 5 Pin

Charge port: DC2.1

Maximum Cells: 18650 30 pcs

LED indicator: 4 LED

Configurations: 10S3P

Rate: 6.6Ah - 10.5Ah

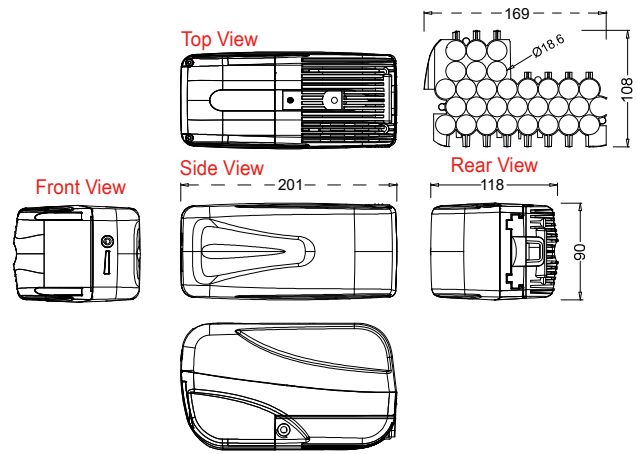
Battery Materials: Aluminum Alloy 6063/PC+ABS

Sea Turtle I Series

Multi-fit Battery Packs



4A fast charger available, refer to P.115

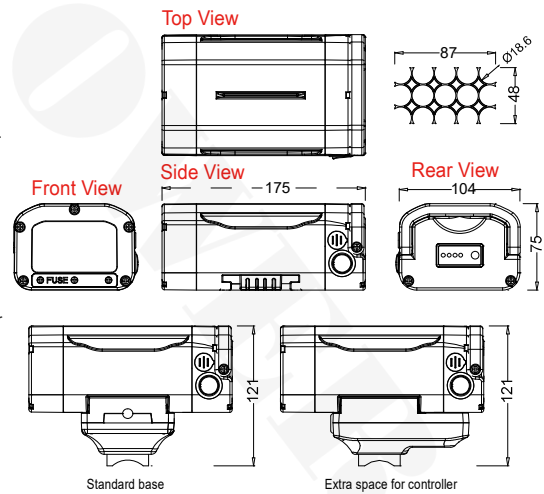


MHG - MHM

YL-MHG1 海龜一號	Optional: Controller available (Model: ERC-E)
Discharge port: 5 Pin	Charge port: DC2.1/ DC2.5
Maximum Cells: 18650 30/ 28 pcs	LED indicator: 4 LED
Configurations: 10S3P/ 7S4P	Rate: 6.6Ah - 10.5Ah/ 8.8Ah - 14.0Ah
Battery Materials: Aluminum Alloy 6063/PC+ABS	

Seahorse I Series

Multi-fit Battery Packs



Colour: Black Beige

YL-MHM1 海馬一號	Optional: Controller available (Model: ERC-V)
Discharge port: 4 Pin	Charge port: DC2.5
Maximum Cells: 18650 28 pcs	LED indicator: 4 LED
Configurations: 7S4P	Rate: 8.8Ah - 14.0Ah
Battery Materials: PC+ABS	

Multi-fit Battery Packs

Starfish I Series

MHX--MLJ



Connection Options:



Option A: Welding
Dimensions (mm):
94 (L) x 80 (W) x 60 (H)



Option B: Clipping
Dimensions (mm):
94 (L) x 80 (W) x 101 (H)



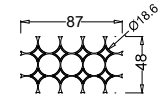
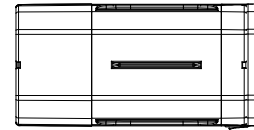
Option C: Welding - with Controller
Box Base Dimensions (mm):
117 (L) x 94 (W) x 60 (H)



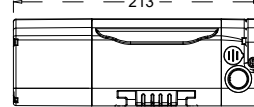
Option D: Clipping - with Controller
Box Base Dimensions (mm):
117 (L) x 94 (W) x 101 (H)



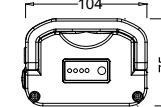
Top View



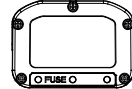
Side View



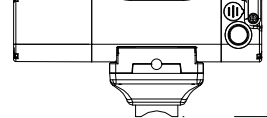
Rear View



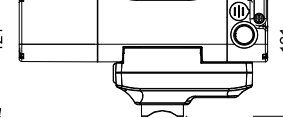
Front View



Standard base



Extra space for controller



Colour: Black Beige

YL-MHX1 海星一號

Optional: Controller available (Model: ERC-V)

Discharge port: 4 Pin

Charge port: DC2.1

Maximum Cells: 18650 30pcs

LED indicator: 4 LED

Configurations: 10S3P

Rate: 6.6Ah - 10.5Ah

Battery Materials: PC+ABS

Multi-fit Battery Packs

Blue Whale I Series



Connection Options:



Option A: Welding
Dimensions (mm):
94 (L) x 80 (W) x 60 (H)



Option B: Clipping
Dimensions (mm):
94 (L) x 80 (W) x 101 (H)



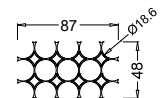
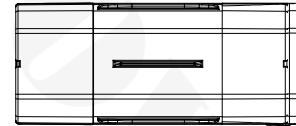
Option C: Welding - with Controller
Box Base Dimensions (mm):
117 (L) x 94 (W) x 60 (H)



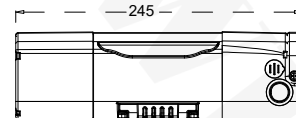
Option D: Clipping - with Controller
Box Base Dimensions (mm):
117 (L) x 94 (W) x 101 (H)



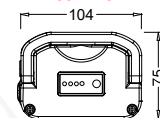
Top View



Side View



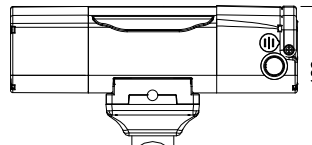
Rear View



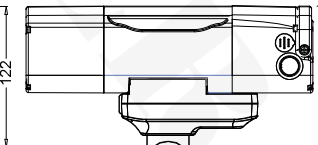
Front View



Standard base



Extra space for controller



Colour: Black Beige

YL-MLJ1 藍鯨一號

Optional: Controller available (Model: ERC-V)

Discharge port: 4 Pin

Charge port: DC2.1

Maximum Cells: 18650 39/ 40pcs

LED indicator: 4 LED

Configurations: 13S3P/ 10S4P

Rate: 6.6Ah - 10.5Ah/ 8.8Ah - 14.0Ah

Battery Materials: PC+ABS

Coral I Series

Multi-fit Battery Packs



4A fast charger available, refer to P.115

Connection Options:



Option A: Welding
Dimensions (mm):
94 (L) x 80 (W) x 60 (H)



Option B: Clipping
Dimensions (mm):
94 (L) x 80 (W) x 101 (H)



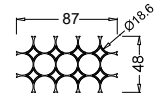
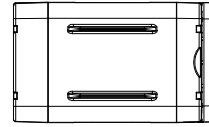
Option C: Welding - with Controller
Box Base Dimensions (mm):
117 (L) x 94 (W) x 60 (H)



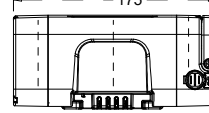
Option D: Clipping - with Controller
Box Base Dimensions (mm):
117 (L) x 94 (W) x 101 (H)



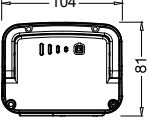
Top View



Side View



Rear View



Front View



Standard base

Extra space for controller

Colour: Black Beige

YL-MSH1 珊瑚一號

Optional: Controller available (Model: ERC-V)

Discharge port: 4 Pin

Charge port: DC2.1/ DC2.5

Maximum Cells: 18650 30/ 28 pcs

LED indicator: 4 LED

Configurations: 10S3P/ 7S4P

Rate: 6.6Ah - 10.5Ah/ 8.8Ah - 14.0Ah

Battery Materials: PC+ABS

MSH - MSM

Jellyfish I Series

Multi-fit Battery Packs

Connection Options:



Option A: Welding
Dimensions (mm):
94 (L) x 80 (W) x 60 (H)



Option B: Clipping
Dimensions (mm):
94 (L) x 80 (W) x 101 (H)



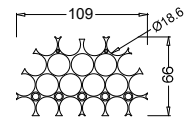
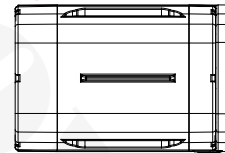
Option C: Welding - with Controller
Box Base Dimensions (mm):
117 (L) x 94 (W) x 60 (H)



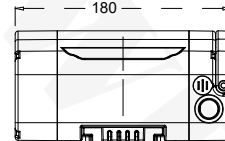
Option D: Clipping - with Controller
Box Base Dimensions (mm):
117 (L) x 94 (W) x 101 (H)



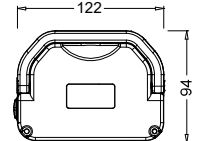
Top View



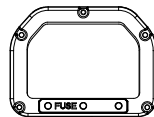
Side View



Rear View



Front View



Standard base

Extra space for controller

Colour: Black Beige

YL-MSM1 水母一號

Optional: Controller available (Model: ERC-V)

Discharge port: 4 Pin

Charge port: DC2.1

Maximum Cells: 18650 39/ 40 pcs

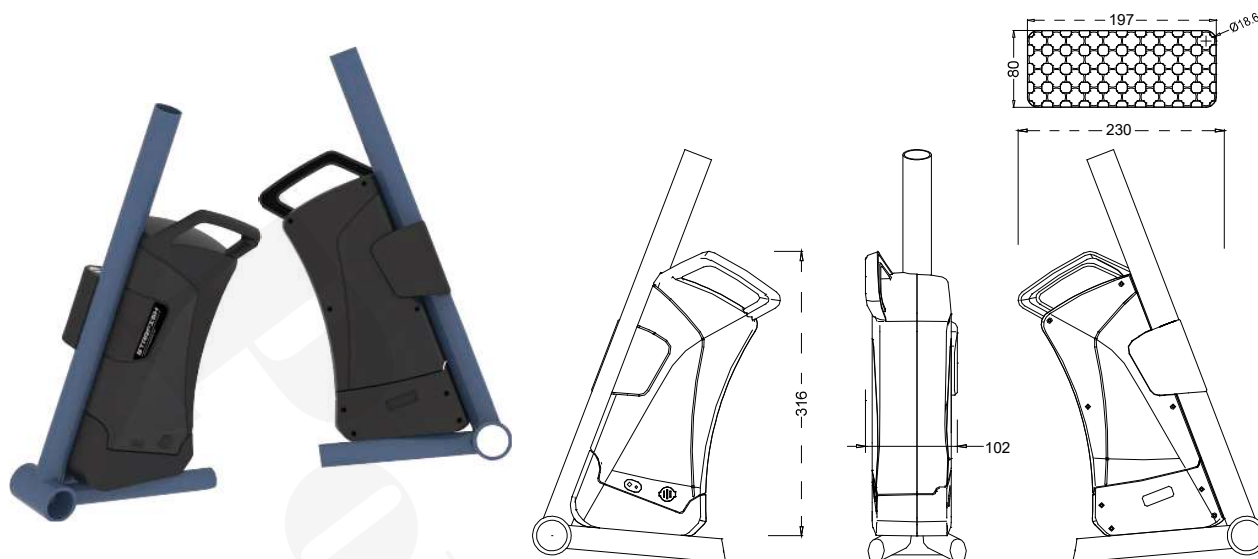
LED indicator: 4 LED

Configurations: 13S3P/ 10S4P

Rate: 6.6Ah - 10.5Ah/ 8.8Ah - 14.0Ah

Battery Materials: PC+ABS

SHX



SS-SHX2 海星二號

Discharge port: 5 Pin

Maximum Cells: 18650 40 pcs

Configurations: 10S4P

Battery Materials: PC+ABS

Optional: N/A

Charge port: DC2.1

LED indicator: 4 LED

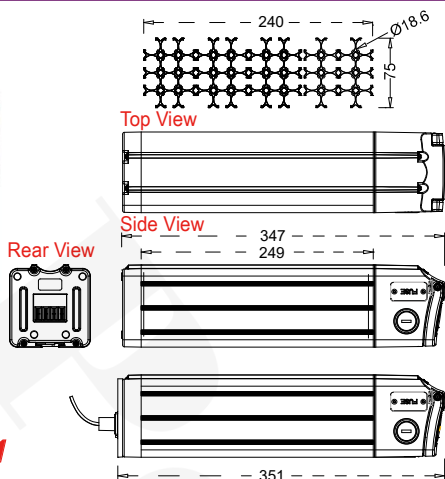
Rate: 8.8Ah - 14.0Ah



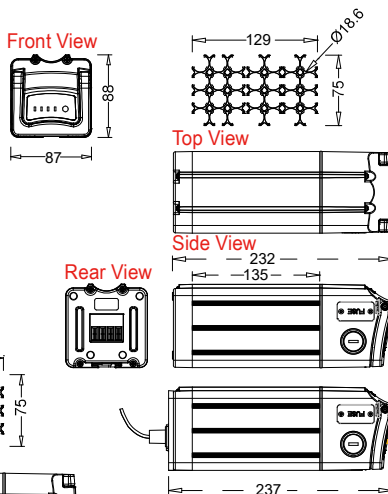
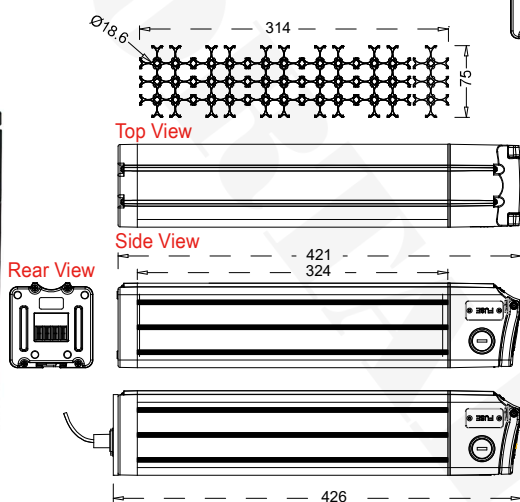
4A fast charger available, refer to P.115



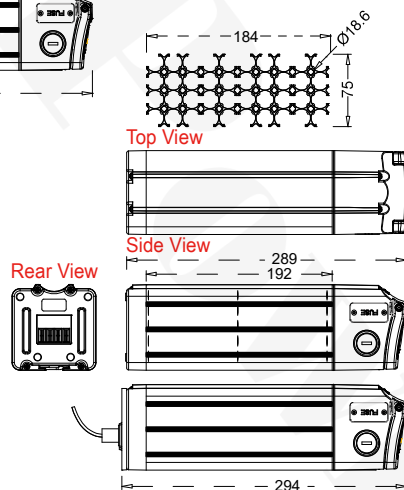
YL-SYY1
銀魚一號



YL-SYY3
銀魚三號



YL-SYY2
銀魚二號



YL-SYY4
銀魚四號

Colour: Black Silver

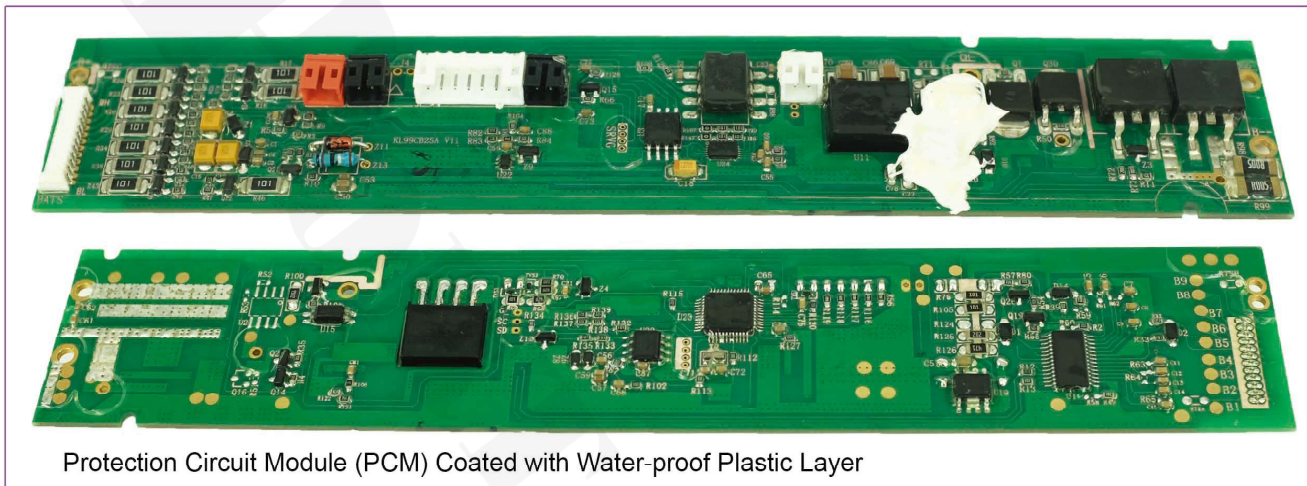
Model	YL-SYY1	YL-SYY2	YL-SYY3	YL-SYY4
Maximum Cells	18650 52/50 pcs	18650 28 pcs	18650 65/60 pcs	18650 39/40 pcs
Configurations	13S4P/10S5P	7S4P	13S5P/10S6P	13S3P/10S4P
Rate	8.8Ah - 14.0Ah/ 11.0Ah - 17.5Ah	8.8Ah - 14.0Ah	11.0Ah - 17.5Ah/ 13.2Ah - 21.0Ah	6.6Ah - 10.5Ah/ 8.8Ah - 14.0Ah
Charge port	DC2.1	DC2.5	DC2.1	DC2.1
Discharge port	4 Pin			
LED indicator	4 LED			
Lock	Mechanical Lock			
Materials	Aluminum Alloy 6063/PC+ABS			

SY

Li-ion Battery Pack Featuring Reliable Designs

1. Intelligent Protection Circuit Module provides:

- Cell Balancing
- Over-Charge Protection
- Short Circuit Protection
- Secondary Protection
- Over-Discharge Protection
- Communication Protocol
- Temperature Protection
- Over-Current Protection



2. Water & Dust Resistant of Protection Circuit Module (PCM)

A layer of water-proof plastic coating has been applied to prevent damages of the Protection Circuit Module (PCM) to be caused by both water and dust. The level of ingress protection reaches IP65^x, i.e. the PCM is well protected even the battery pack is sank into water.

^x IP65 of the Ingress Protection Rating System – the higher the number, the better protection.

IP	Means Ingress Protection System (with a 2-digit rating).
6	The first digit (IP6_) relates to ingress protection against solid objects; and '6' means dust tight, i.e. no ingress of dust.
5	The second digit (IP_5) relates to ingress protection against water; and '5' means protected against water jets, i.e. water projected from a nozzle (6.3mm) against the enclosure from any direction shall have no harmful effect.

3. Automatic Sleep Mode:

Sleep Mode shuts off the output of the battery pack automatically to prevent it from complete discharge during prolonged storage or inactivity.

Option A:

If the battery is inactivated for more than *10 hours^{xx}*, the battery circuit will automatically turn off its output.

Option B:

If the battery output is under 0.5A current, the battery circuit will automatically turn off its output after *4 hours^{xx}*.

^{xx} May adjust the activation time of the Sleep Mode to suit the needs of different clients.

Li-ion Battery Pack Featuring Reliable Designs



4. Built-in Gas Gauge IC

The protection circuit board with built-in Gas Gauge IC monitors battery status and enables data output to various data collectors, by means of HDQ protocol, UART protocol or Canbus protocol.

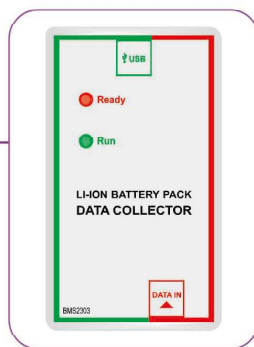
Battery Data	HDQ Protocol	UART Protocol	Canbus Protocol
Cell Type	✓	✓	✓
Cell Configurations	✓	✓	✓
Battery Type	✓	✓	✓
Battery Model	—	✓	✓
Voltage	✓	✓	✓
Rate	✓	✓	✓
Temperature	✓	✓	✓
Total Number of Cycles	✓	✓	✓
Battery Life	—	✓	✓
Battery Serial No.	—	✓	✓
Manufacturer Name	—	✓	✓
Manufacturer Data	—	✓	✓
500 Times of Discharge History	—	✓	✓
500 Times of Charge History	—	✓	✓
Repair History	—	✓	✓



-Data Collector



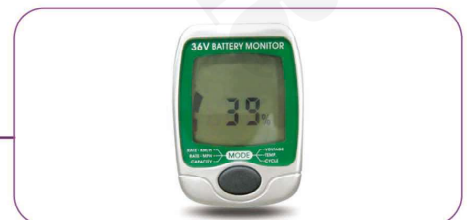
Smart Lithium Battery



Data Collector



Read by PC with Specialized Monitoring Software



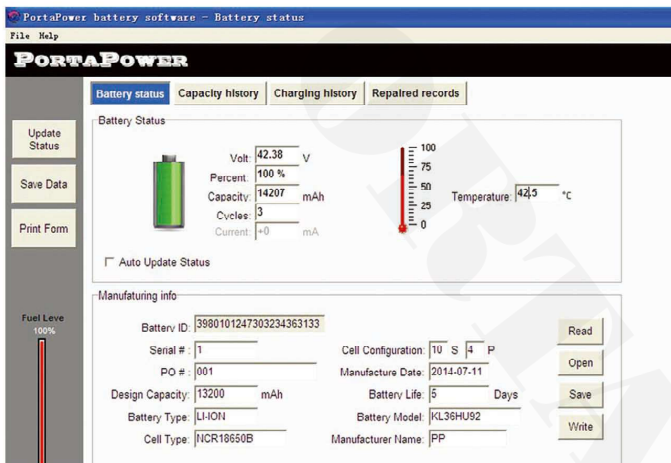
Read by LCD Panel

Designed specifically for engineering testing. User can collect the battery data with the **LI-ION BATTERY PACK DATA COLLECTOR**; and all the data will be shown on the screen / PC.

Battery Read-out by UART Protocol

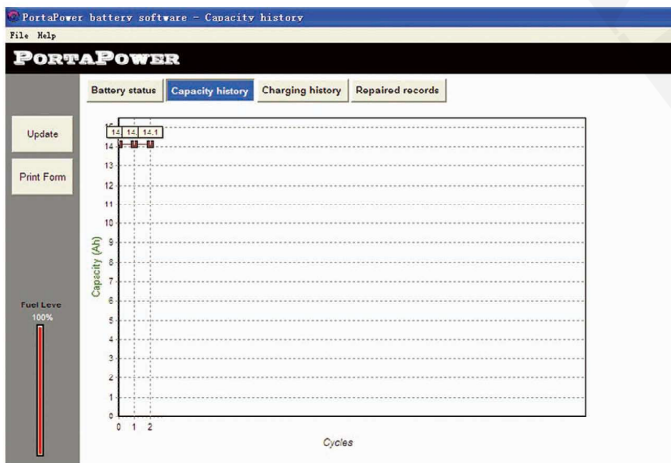


Model: YL-CWF1-HU104



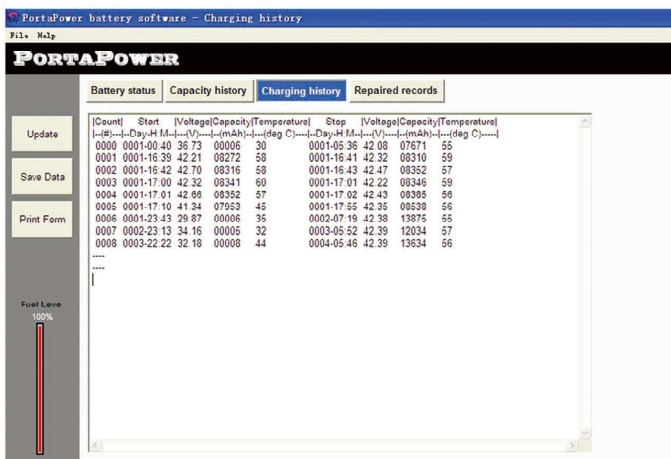
Battery Status Read-out

- Connect the data collector to the PC with an USB cable.
- Start the software program.
- All battery data will be shown, such as battery voltage, capacity, temperature, and cell configurations, etc.



Battery Capacity History Read-out

- A maximum of 500 discharging cycles in record.
- Discharge curve and data are printable.



Battery Charging History Read-out

- A maximum of 500 charging cycles in record.
- Charging records could be saved in .txt file and printed.

Battery Discharge Current Specifications

In order to choose a suitable battery for your vehicle at best, high discharge current is also available according to various specifications in the market.

Cell Brand	Cell Model	Cell Code	Configurations	Rate (Ah)	Maximum Discharge Current*		
					Continue	10 mins	5s
Panasonic	UR18650AA	082	3P	6.75	10A	13A	18A
			4P or above	≥8.7	15A	18A	35A
	NCR18650PF	089 / 809	2P	5.8	10A	13A	18A
			3P	8.7	13A	15A	25A
			4P or above	>8.7	15A	18A	35A
	NCR18650B	804	3P	10.2	10A	13A	18A
			4P or above	>10.2	15A	18A	35A
	NCR18650GA	906	3P	10.5	10A	13A	18A
4P or above			>10.5	15A	18A	35A	
YLE	INR18650D260	826	3P	6.6	10A	13A	18A
			4P or above	≥8.8	15A	18A	35A
	NCR18650D290	89D	2P	5.8	10A	13A	18A
			3P	8.7	13A	15A	25A
			4P or above	≥8.7	15A	18A	35A
Samsung	ICR18650-26J	806	3P	6.6	10A	13A	18A
			4P or above	≥8.8	15A	18A	35A
	INR18650-35E	916	3P	10.5	10A	13A	18A
			4P or above	>10.5	15A	18A	35A

* Maximum discharge current value is subject to change.
Please refer to the respective specification sheet of different products for the most updated details.

Extra Information Battery Packs Model Code Structure

High Discharge Current Version
e.g. YL-MSM1-H104G.804

YL	-	M	SM1	-	H	104	G	.804
		M = Multi-fit Battery	SM1 = Series		H = High Discharge Current	104 = Cell configuration	G = Beige Color	804 = Cell Code

Sleep Mode Version
e.g. SS-DHL1-PS134B.916

SS	-	D	HL1	-	P	S	134	B	.916
		D = Down Tube Battery	HL1 = Series		P = Sleep mode	S = HDQ Protocol	134 = Cell configuration	B = Black Color	916 = Cell Code

Summary Table(BATTERY CHARGERS)

60W Chargers			
Model	CPP060715	CPP061013	CPF060720
Battery Voltage	24V	36V	24V
DC Output /Charging Current	29.4V Max.1.5A	42.0V Max. 1.35A	29.4V Max. 2A
AC Input	100V - 240V		
Input Frequency	50Hz / 60Hz		
Efficiency (full load)	≥ 85%		≥ 83%
Dimensions	115 (L) x 59 (W) x 30.8(H) mm		119.5 (L) x 56 (W) x 31.7 (H) mm
Certifications	CE, FCC, RoHs		

80W Chargers			
Model	CTF081020	CPF081020	CMM081020
Battery Voltage	36V		
DC Output / Charging Current	42.0V Max. 2A		
AC Input	100V - 240V		
Input Frequency	50Hz / 60Hz		
Efficiency (full load)	≥ 85%		≥ 84%
Dimensions	141.2 (L) x 60.5 (W) x 33.6 (H) mm	141 (L) x 61 (W) x 34.5 (H) mm	147 (L) x 65.5 (W) x 34.2 (H) mm
Certifications	CE,FCC,ERP,RoHs,REACH	CE, FCC, ERP, RoHs, REACH	CE, FCC, RoHs, KC, GS, RCM, UL, CB, PSE

100W Chargers			
Model	CPP100723	CPP101022	CPP101318
Battery Voltage	24V	36V	48V
DC Output / Charging Current	29.4V Max. 2.35A	42.0V Max. 2.2A	54.6V Max. 1.8A
AC Input	100V - 240V		
Input Frequency	50Hz / 60Hz		
Efficiency (full load)	≥ 85%		
Dimensions	168.5 (L) x 64.8 (W) x 39.2 (H) mm		
Certifications	CE, FCC, RoHs		

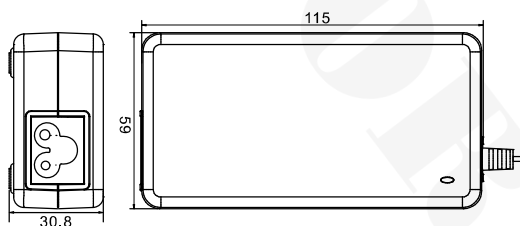
160W Chargers				
Model	CMM161040	CMM161330	CPF161040	CPF161330
Battery Voltage	36V	48V	36V	48V
DC Output / Charging Current	42.0V Max. 4A	54.6V Max. 3A	42V Max. 4A	54.6V Max. 3A
AC Input	100V - 240V			
Input Frequency	50Hz / 60Hz			
Efficiency (full load)	≥ 85%		≥ 85%	
Dimensions	179 (L) x 80 (W) x 37.2 (H) mm		182 (L) x 79 (W) x 42 (H) mm	
Certifications	CE, FCC, RoHs, KC, RCM, GS, CB, PSE		CE, FCC, ERP, RoHs, REACH	

220W Chargers		
Model	CFF221050	CFF221340
Battery Voltage	36V	48V
DC Output /Charging Current	42V Max. 5A	54.6V Max. 4A
AC Input	100V - 240V	
Input Frequency	50Hz / 60Hz	
Efficiency (Full load)	≥ 88%	
Dimensions	182 (L) x 86.5 (W) x 46.6 (H) mm	
Certifications	CE, UL, RoHs	

250W Chargers	
Model	CMM251060
Battery Voltage	36V
DC Output / Charging Current	42.0V Max. 6A
AC Input	100V - 240V
Input Frequency	50Hz / 60Hz
Efficiency (full load)	> 87%
Dimensions	220 (L) x 105.8 (W) x 48.3 (H) mm
Certifications	CE, FCC, RoHs

60W CHARGERS

Specifications

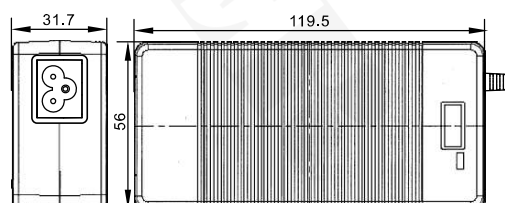


Model	CPP060715	CPP061013
Battery Voltage	24V	36V
DC Output / Charging Current	29.4V Max. 1.5A	42.0V Max. 1.35A
AC Input	100V - 240V	
Input Frequency	50Hz / 60Hz	
Efficiency (full load)	≥ 85%	
Dimensions	115 (L) x 59 (W) x 30.8 (H) mm	
	Length of DC output: 1.0M	
Weight	Approx. 280g	
Cooling Mode	Fanless	
Protection	Over Current Protection	
	Over Voltage Protection	
	Over Temperature Protection	
	Short-circuit Protection	
	Switching Off Protection	
Function	Recharge Protection	
Function	Pre-charge Function	
Certifications	CE, FCC, RoHs	
Safety Standard	EN55014, EN60335, EN61000	

60W CHARGERS

Specifications

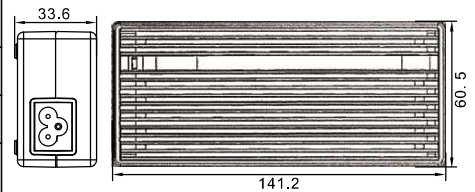
Model	CPF060720
Battery Voltage	24V
DC Output /Charging Current	29.4V Max. 2A
AC Input	100V - 240V
Input Frequency	50Hz / 60Hz
Efficiency (Full load)	≥ 83%
Dimensions	119.5 (L) x 56 (W) x 31.7 (H) mm
	Length of DC output: 1.2M
Weight	Approx. 236g
Cooling Mode	Fanless
Protection	Over Current Protection
	Short-circuit Protection
Certifications	CE, FCC, RoHs
Safety Standard	EN55014, EN60335, EN61000



80W CHARGERS

Specifications

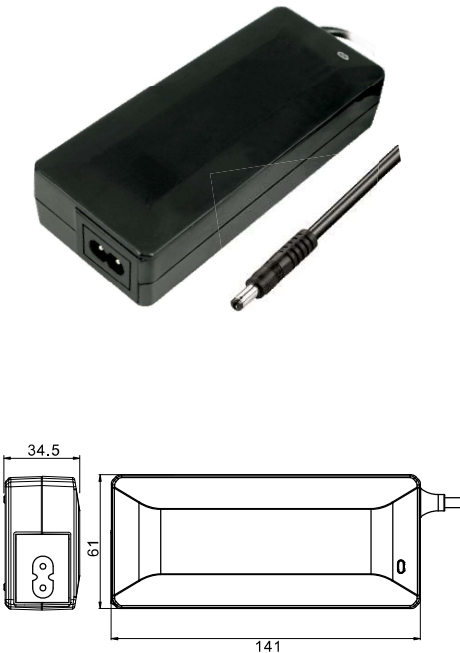
Model	CTF081020
Battery Voltage	36V
DC Output / Charging Current	42V Max. 2A
AC Input	100V - 240V
Input Frequency	50Hz - 60Hz
Efficiency (Full load)	≥ 85%
Dimensions	141.2 (L) x 60.5 (W) x 33.6 (H) mm
	Length of DC out cord: 1.2M
Weight	Approx. 316g
Cooling Mode	Fanless
Protection	Over Current Protection
	Short-circuit Protection
Certifications	CE, FCC, ERP, RoHs, REACH
Safety Standard	EN55014, EN60335, EN61000



80W CHARGERS

Specifications

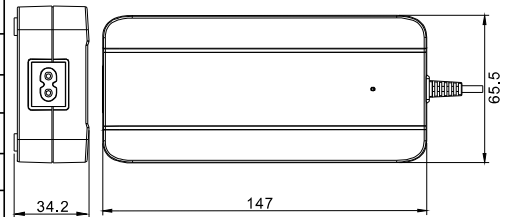
Model	CPF081020 HOT
Battery Voltage	36V
DC Output / Charging Current	42V Max. 2A
AC Input	100V - 240V
Input Frequency	50Hz / 60Hz
Efficiency (Full load)	≥ 85%
Dimensions	141 (L) x 61 (W) x 34.5 (H) mm
	Length of DC output: 1.2M
Weight	Approx. 320g
Cooling Mode	Fanless
Protection	Over Current Protection
	Short-circuit Protection
Certifications	CE, FCC, ERP, RoHs, REACH
Safety Standard	EN55014, EN60335, EN61000, FCC part15B



80W CHARGERS

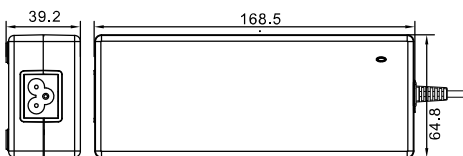
Specifications 規格

Model	CMM081020
Battery Voltage	36V
DC Output / Charging Current	42V Max. 2A
AC Input	100V - 240V
Input Frequency	50Hz / 60Hz
Efficiency (Full load)	≥ 84%
Dimensions	147(L) x 65.5 (W) x 34.2 (H) mm Length of DC output: 1.2M
Weight	Approx. 365g
Cooling Mode	Fanless
Protection	Over Current Protection
	Over Voltage Protection
	Over Temperature Protection
	Short-circuit Protection
	Timing Protection
	Reverse Polarity Protection
	Switching Off Protection
	Recharge Protection
Function	Pre-charge Function
Certifications	CE, FCC, RoHs, KC, GS, RCM, UL, CB, PSE
Safety Standard	EN55014, EN60335, EN61000, UI1310, FCC part15B



100W CHARGERS

Specifications

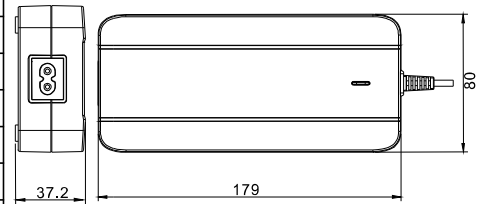


Model	CPP100723	CPP101022	CPP101318
Battery Voltage	24V	36V	48V
DC Output / Charging Current	29.4V Max. 2.35A	42.0V Max. 2.20A	54.6V Max. 1.80A
AC Input	100V - 240V		
Input Frequency	50Hz / 60Hz		
Efficiency (Full load)	≥ 85%		
Dimensions	168.5(L) x 64.8 (W) x 39.2 (H) mm Length of DC output: 1.8M		
Weight	Approx. 610g		
Cooling Mode	Fanless		
Protection	Over Current Protection		
	Over Voltage Protection		
	Over Temperature Protection		
	Short-circuit Protection		
	Timing Protection		
	Reverse Polarity Protection		
	Switching Off Protection		
	Recharge Protection		
Function	Pre-charge Function		
Certifications	CE, FCC, RoHs		
Safety Standard	EN55014, EN60335, EN61000, FCC part15B		

160W CHARGERS

Specifications

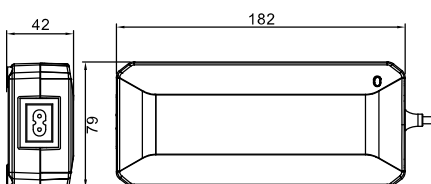
Model	CMM161040	CMM161330
Battery Voltage	36V	48V
DC Output / Charging Current	42V Max. 4A	54.6V Max. 3A
AC Input	100V - 240V	
Input Frequency	50Hz / 60Hz	
Efficiency (Full load)	≥ 85%	
Dimensions	179 (L) x 80 (W) x 37.2 (H) mm	
	Length of DC output: 1.2M	
Weight	Approx. 733g	
Cooling Mode	Fanless	
Protection	Over Current Protection	
	Over Voltage Protection	
	Over Temperature Protection	
	Short-circuit Protection	
	Timing Protection	
	Reverse Polarity Protection	
	Switching Off Protection	
	Recharge Protection	
Function	Pre-charge Function	
Certifications	CE, FCC, RoHs, KC, RCM, GS, CB, PSE	
Safety Standard	EN55014, EN60335, EN61000, FCC part15B	



160W CHARGERS

Specifications

Model	CPF161040 NEW	CPF161330 NEW
Battery Voltage	36V	48V
DC Output /Charging Current	42V Max. 4A	54.6V Max. 3A
AC Input	100V - 240V	
Input Frequency	50Hz / 60Hz	
Efficiency (Full load)	≥ 85%	
Dimensions	182 (L) x 79 (W) x 42 (H) mm	
	Length of DC output: 1.5M	
Weight	Approx. 680g	
Cooling Mode	Fanless	
Protection	Over Current Protection	
	Over Voltage Protection	
	Short-circuit Protection	
	Reverse Polarity Protection	
Certifications	CE, FCC, ERP, RoHs, REACH	
Safety Standard	EN55014, EN60335	



220W CHARGERS

Specifications



Model	CFF221050 NEW	CFF221340 NEW
Battery Voltage	36V	48V
DC Output / Charging Current	42V Max. 5A	54.6V Max. 4A
AC Input	100V - 240V	
Input Frequency	50Hz / 60Hz	
Efficiency (Full load)	≥ 88%	
Dimensions	182 (L) x 86.5 (W) x 46.6 (H) mm	
	Length of DC output: 1M	
Weight	Approx. 687g	Approx. 700g
Cooling Mode	Fanless	
Protection	Over Current Protection	
	Short-circuit Protection	
Certifications	CE, UL, RoHs	
Safety Standard	EN55014, EN60335, EN61000, FCC part15B	

250W CHARGERS

Specifications

Model	CMM251060
Battery Voltage	36V
DC Output / Charging Current	42V Max. 6A
AC Input	100V - 240V
Input Frequency	50Hz / 60Hz
Efficiency (Full load)	> 87%
Dimensions	220 (L) x 105.8 (W) x 48.3 (H) mm
	Length of DC output: 1.2M
Weight	Approx. 316g
Cooling Mode	Fanless
Protection	Over Current Protection
	Over Voltage Protection
	Over Temperature Protection
	Short-circuit Protection
	Timing Protection
	Reverse Polarity Protection Switching Off Protection
Function	Pre-charge Function
Certifications	CE, FCC, RoHs
Safety Standard	EN55014, EN60335, EN61000, FCC part15B



CHOOSE YOUR PLUG 插頭選擇

AC PLUG for Battery Chargers 交流充電器插頭:

Plug Type A 插頭型式A:

適用國家: North and Central America, Japan



Plug Type B 插頭型式B:

適用國家: North and Central America, Japan



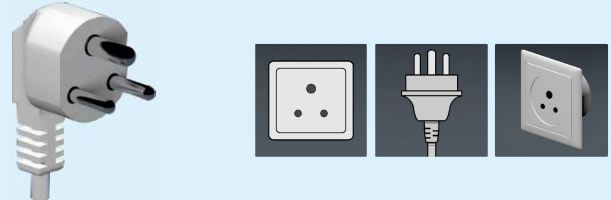
Plug Type C 插頭型式C:

適用國家: Europe, with the exception of the UK, Ireland, Cyprus and Malta



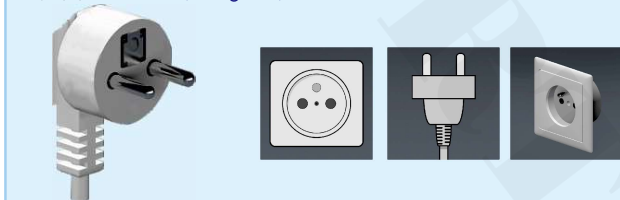
Plug Type D 插頭型式D:

適用國家: India, Sri Lanka, Nepal, Namibia



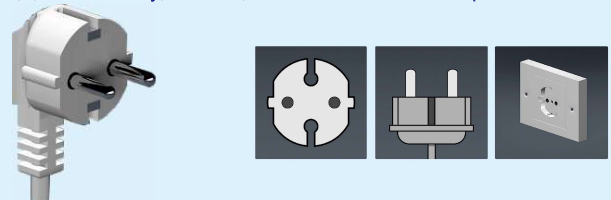
Plug Type E 插頭型式E:

適用國家: France, Belgium, Slovakia and Tunisia



Plug Type F 插頭型式F:

適用國家: Germany, Austria, the Netherlands and Spain



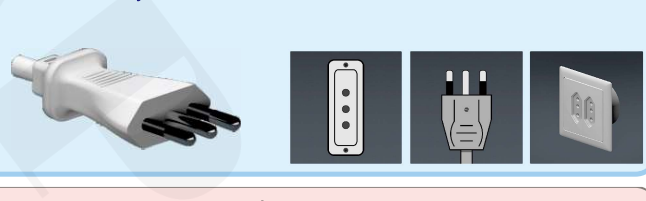
Plug Type K 插頭型式K:

適用國家: Denmark and Greenland



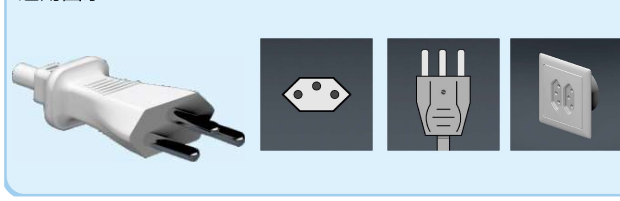
Plug Type L 插頭型式L:

適用國家: Italy



Plug Type J 插頭型式J:

適用國家: Switzerland and Lichtenstein



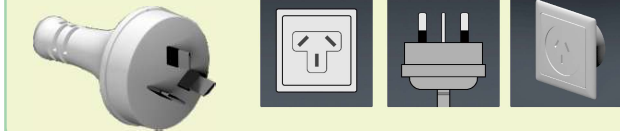
Plug Type G 插頭型式G:

適用國家: UK, Ireland, Cyprus, Malta, Malaysia, Singapore, Hong Kong



Plug Type I 插頭型式I:

適用國家: Australia, New Zealand, Papua New Guinea, Argentina, China



Plug Type H 插頭型式H:

適用國家: Israel



Plug Type M 插頭型式M:

適用國家: South Africa, Swaziland, Lesotho



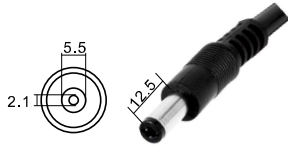
Plug Type N 插頭型式N:

適用國家: Brazil



▶ Standard power cord length 標準電源線線長 1.2 / 1.5m (±0.2m)

DC PLUG for Battery Chargers :



Z (DC2.1)
inner dia 2.1mm



Y (4-PIN PAJ)
outer dia 12.6mm



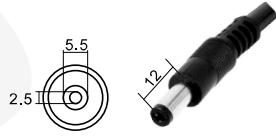
X (3-PIN XRL)
inner dia 16mm



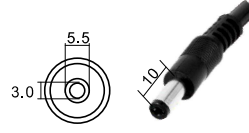
W (3-PIN PAJ)
outer dia 12.6mm



V (5-PIN PAJ)
outer dia 12.6mm



U (DC2.5)
inner dia 2.5mm



T (DC3.0)
inner dia 3.0mm



S (Lotus 1)
outer dim 8.26mm



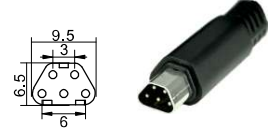
R (3-PIN CM)
outer dia 8.6mm



Q (3-PIN ST)
outer dia 8.6mm



P (4-PIN ST)
outer dia 8.6mm



N (5-PIN)
outer dim 9.5(W) x 6.5(H)mm



J (RCA 10.5)
outer dia 10.5mm



G (RCA 10.5)
outer dia 10.5mm



F (Dell)
outer dia 7.4mm

DC SOCKET OF Battery Packs :



Z (DC2.1)



Y (4-PIN PAJ)



X (3-PIN XRL)



W (3-PIN PAJ)



V (5-PIN PAJ)



U (DC2.5)



T (DC3.0)



S (Lotus 1)



R (3-PIN CM)



Q (3-PIN ST)



P (4-PIN ST)



N (5-PIN)



J (RCA 10.5)



G (RCA 10.5)



F (Dell)

ELECTRIC WHEELCHAIR & SCOOTER BATTERY TYPES



MEET U NEEDS

**Electric Wheelchair &
Scooter Battery Types**

24V Lithium Battery System For Electric Wheelchairs



Model No.	YL-SYY2	YL-WJG2
Voltage	24V	24V
Configurations	7S4P	7S4P
Rate	8.8Ah - 14.0Ah	8.8Ah - 14.0Ah
Cont. Discharge Current*	15A	15A
Weight (kg)	2.01	1.81
Dimensions (mm)	88 (L) x 87 (W) x 232 (H)	Ø 81.5 x 288 (H)

* Maximum discharge current value is subject to change. Please refer to the respective specification sheet of different products for the most updated details.



For Wheelchairs

24V Lithium Battery System For Electric Wheelchairs



Model No.	YL-CWF2
Voltage	24V
Configurations	7S4P
Rate	8.8Ah - 14.0Ah
Cont. Discharge Current*	15A
Weight (kg)	1.77
Dimensions (mm)	273 (L) x 148 (W) x 60 (H)

* Maximum discharge current value is subject to change. Please refer to the respective specification sheet of different products for the most updated details.



For Wheelchairs

24V Lithium Battery System For Electric Wheelchairs & Scooters



華山一號 (YL-UHS1)

黃山一號 (YL-UWS1)

泰山一號 (YL-UTS1)

嵩山一號 (YL-USS1)







181(L) x 77(W) x 172(H) mm

222(L) x 115(W) x 183(H) mm

222(L) x 155(W) x 179(H) mm

230(L) x 171(W) x 199(H) mm

	Product Code	Configurations	Cell Type	Voltage	Rate	Power	Max. Discharge Current*			Max. Charge Current
	YL-UHS1-S0708B.906	NCR18650GA-7S8P	Li-ion	24V	28Ah	672Wh	Cont.	Pluse (20s)	Protect	10A
	Product Code	Configurations	Cell Type	Voltage	Rate	Power	Max. Discharge Current*			Max. Charge Current
	YL-UWS1-S0714B.906	NCR18650GA-7S14P	Li-ion	24V	49Ah	1176Wh	40A	50A	58A	10A
	Product Code	Configurations	Cell Type	Voltage	Rate	Power	Max. Discharge Current*			Max. Charge Current
	YL-UTS1-S0722B.906	NCR18650GA-7S22P	Li-ion	24V	77Ah	1848Wh	40A	50A	130A	10A
	Product Code	Configurations	Cell Type	Voltage	Rate	Power	Max. Discharge Current*			Max. Charge Current
	YL-USS1-S0722B.906	NCR18650GA-7S22P	Li-ion	24V	77Ah	1848Wh	60A	70A	130A	10A

* Maximum discharge current value is subject to change.

Please refer to the respective specification sheet of different products for the most updated details.



EQUIPMENT

Equipment

MEET U NEEDS



Environmental Energy Saving Battery Pack Analyzer



AR16C30D30.560
AR16C20D20.560
AR16C60D60.560
(16 Channels)



- Energy Conservation
- Charge/Discharge 5V-60V battery pack (NMC: 2S-14S, LiFe: 2S-16S)
- High charge/discharge current (up to 60A per channel)
- Function as UPS
- 2/4/8/16 channels per rack for selection

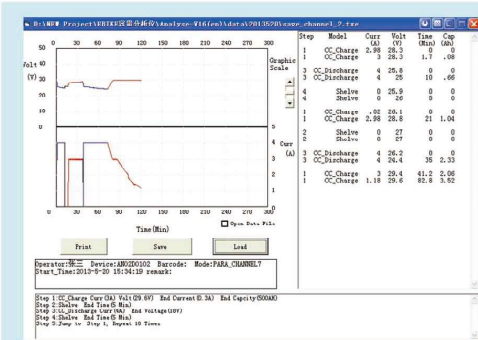
Environmental Energy Saving Battery Pack Analyzer



- ▶ Support charging and discharging the same port or different ports. An integrated system for discharging, charging and aging test consecutively as programmed, supporting internal / external charging.
- ▶ Scans barcode to link analyzed results with database.
- ▶ It also has a modularized structure for easy upgrade, maintenance and enhancement of production efficiency.



- ▶ Designed for various rechargeable batteries such as Li-ion, Li-Fe, Li-Co, Li-Mn, Ni-MH, and Ni-CD, etc.



Test results could be:

- ▶ Displayed on screen
- ▶ Stored electronically
- ▶ Generated in graphic curves
- ▶ Printed as report
- ▶ Uploaded by PQTS system



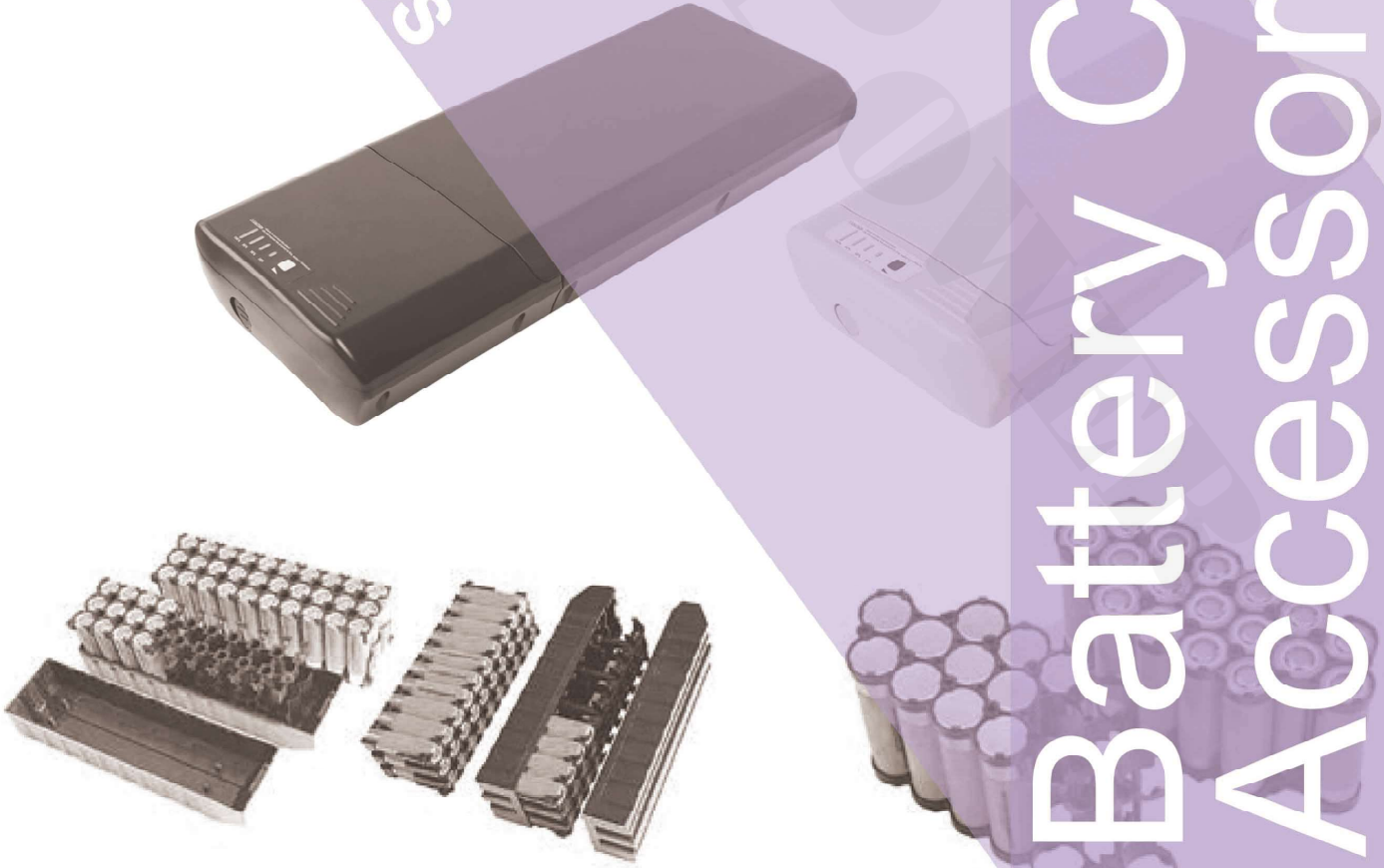
Scans barcode to upload / download analyzed results to / from database.

Specifications (Each Channel)

		Range	
Charge	Use Built-in Charger	Voltage	DC 5-60V
		Current	0.1 ~ 60A (Max.)
		Power	3600W (Max.)
Discharge	Constant Current Discharge Mode	Voltage	DC 5-60V
		Current	0.1 ~ 60A (Max.)
		Power	3600W (Max.)

**Battery Case
Accessories**

MEET U NEEDS



**Battery Case
Accessories**

Battery Case Accessories - Cell Holders



18650 Cells



New

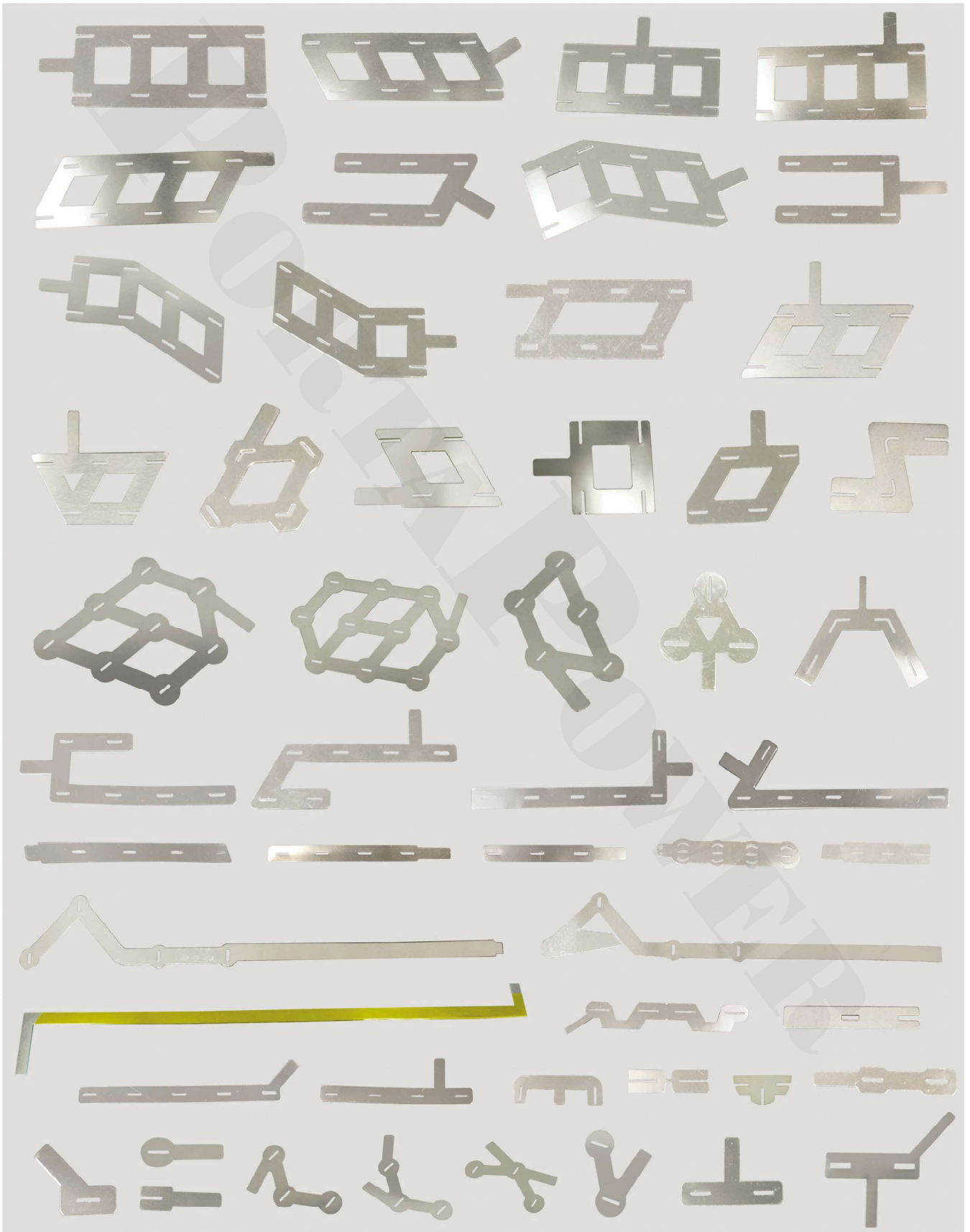
21700 Cells



Battery Case Accessories - Nickel Plates



Over thousands nickel plates available



BATTERY CELLS

Battery Cells

MEET U NEEDS



JAPAN and KOREA Cells

We are the Authorized Assembler of **Panasonic** and **Samsung** of high power consumption battery packs.



Brand		Panasonic	Panasonic	Panasonic	Panasonic	Samsung	Samsung	Samsung	Samsung
Model		UR18650AA	NCR18650PF	NCR18650B	NCR18650GA	ICR18650-26J	INR18650-29E	INR18650-35E	INR21700-50E
Chemistry		Li-ion	Li-ion	Li-ion	Li-ion	Li-ion	Li-ion	Li-ion	Li-ion
Nominal Voltage		3.6V	3.6V	3.6V	3.6V	3.7V	3.6V	3.6V	3.6V
Minimum Rate		2150mAh	2750mAh	3250mAh	3350mAh	2550mAh	2750mAh	3250mAh	4750mAh
Typical Rate		2250mAh	2900mAh	3350mAh	3450mAh	2600mAh	2850mAh	3350mAh	4900mAh
Internal Impedance		≤ 100mΩ	≤ 35mΩ	≤ 48mΩ	≤ 38mΩ	≤ 100mΩ	≤ 100mΩ	≤ 35mΩ	≤ 15mΩ
Charge	Method	CV/CC**	CV/CC**	CV/CC**	CV/CC**	CV/CC**	CV/CC**	CV/CC**	CV/CC**
	Voltage	4.2V	4.2V	4.2V	4.2V	4.2V	4.2V	4.2V	4.2V
	Standard Current	1.50A	1.35A	1.62A	1.67A	1.3A	1.37A	1.7A	2.45A
	Rapid Current	2.15A	1.35A	3.4A	1.67A	2.6A	2.75A	2A	4.9A
Discharge*	Cut-off Voltage	2.75V	2.5V	2.5V	2.5V	2.75V	2.5V	2.65V	2.5V
	Constant Current	5A	10A	4.9A	10A	5.2A	8.25A	8A	9.8A
Dimensions	Diameter	Ø18.3 mm	Ø18.6mm	Ø18.5 mm	Ø18.5 mm	Ø18.4mm	Ø18.4 mm	Ø18.55 mm	Ø21.1 mm
	Height	64.9mm	65.2mm	65.3mm	65.1mm	65mm	65mm	65.25mm	70.15mm
Approx. Weight		42.2g	44.5g	47.5g	49.5g	45g	45g	50g	69g

* Maximum discharge current value is subject to change. Please refer to the respective specification sheet of different products for the most updated details.

** CC/CV = Constant Current/Constant Voltage



YikLik Energy Limited (YLE), battery cell manufacturer, we have successfully produced highquality Li-ion cells of LiNMC, NCA and LiFePO4 chemistries. They are now being used in the making of battery packs for eBikes, eMotorcycles, Electric Wheelchairs, Electric Golf Carts, Car Starter Batteries, UPS Systems, Lightings, Household Appliances, Remote Control Toys, and many others.



YLE	YLE	YLE	YLE	YLE	YLE	YLE	YLE	Brand
INR18650D260 D	NCR18650D250 ET	NCR18650D290 D	NCR18650D300 ET	NCR18650D320 D	NCR18650D350 D	NCR21700D500 DT	NCR26650D600 DT	Model
NCM	NCA	NCA	NCA	NCA	NCA	NCA	NCA	Chemistry
3.6V	3.6V	3.6V	3.6V	3.6V	3.6V	3.6V	3.6V	Nominal Voltage
2550mAh	2450mAh	2800mAh	2900mAh	3100mAh	3300mAh	4900mAh	5900mAh	Minimum Rate
2600mAh	2500mAh	2900mAh	3000mAh	3200mAh	3450mAh	5000mAh	6000mAh	Typical Rate
≤ 25mΩ	≤ 25mΩ	≤ 25mΩ	≤ 20mΩ	≤ 35mΩ	≤ 35mΩ	≤ 18mΩ	≤ 18mΩ	Internal Impedance
CV/CC**	CV/CC**	CV/CC**	CV/CC**	CV/CC**	CV/CC**	CV/CC**	CV/CC**	Method
4.2V	4.2V	4.2V	4.2V	4.2V	4.2V	3.65V	4.2V	Charge
2.75V	2.5V	2.5V	2.5V	2.5V	2.5V	2.5V	2.5V	Cut-off Voltage
10A	15A	10A	15A	10A	10A	10A	10A	Discharge*
Ø18.4 mm	Ø18.4 mm	Ø18.4 mm	Ø18.4 mm	Ø18.4mm	Ø18.4 mm	Ø21.3 mm	Ø26.3 mm	Diameter
65.2mm	65.2mm	65.2mm	65.2mm	65.2mm	65.2mm	70.8mm	65.3mm	Height
47g	47g	49g	45g	43g	49g	69g	99g	Approx. Weight

* Maximum discharge current value is subject to change. Please refer to the respective specification sheet of different products for the most updated details.

** CC/CV = Constant Current/Constant Voltage



YikLik Energy Limited (YLE), battery cell manufacturer, we have successfully produced highquality Li-ion cells of LiNMC, NCA and LiFePO4 chemistries. They are now being used in the making of battery packs for eBikes, eMotorcycles, Electric Wheelchairs, Electric Golf Carts, Car Starter Batteries, UPS Systems, Lightings, Household Appliances, Remote Control Toys, and many others.

18650系列 / For 18650:										
Modle / 型號	Nominal Voltage / 標準電壓	Minimum Rate / 最小容量	Typical Rate / 標稱容量	Internal Impedance / 內阻	Charge / 充電		Discharge* / 放電		Dimensions / 尺寸	
					Method / 方式	Voltage / 電壓	Cut-off Voltage / 截止電壓	Constant Current / 持續電流	Diameter / 直徑	Height / 高度
INR18650A260 A	3.6V	2550mAh	2600mAh	≤ 48mΩ	CV/CC**	4.2V	2.75V	5A	Ø18.4mm	65.2mm
INR18650D150GT	3.6V	1450mAh	1500mAh	≤ 18mΩ	CV/CC**	4.2V	2.75V	20A	Ø18.5mm	65.3mm
INR18650D200 GT	3.6V	1950mAh	2000mAh	≤ 18mΩ	CV/CC**	4.2V	2.75V	20A	Ø18.5mm	65.3mm
NCR18650A300 A	3.6V	2950mAh	3000mAh	≤ 48mΩ	CV/CC**	4.2V	2.5V	6A	Ø18.4mm	65.2mm
NCR18650A335 A	3.6V	3250mAh	3350mAh	≤ 45mΩ	CV/CC**	4.2V	2.5V	6A	Ø18.4mm	65.2mm
NCR18650A320 A	3.6V	3100mAh	3200mAh	≤ 45mΩ	CV/CC**	4.2V	2.5V	6A	Ø18.4mm	65.2mm

其他系列 / For Others:										
Modle / 型號	Nominal Voltage / 標準電壓	Minimum Rate / 最小容量	Typical Rate / 標稱容量	Internal Impedance / 內阻	Charge / 充電		Discharge* / 放電		Dimensions / 尺寸	
					Method / 方式	Voltage / 電壓	Cut-off Voltage / 截止電壓	Constant Current / 持續電流	Diameter / 直徑	Height / 高度
IFR14500A60 A	3.2V	570mAh	600mAh	≤ 80mΩ	CV/CC**	3.65V	2.0V	1.2A	Ø14.3mm	50.0mm
IFR16340A50 AJ	3.2V	470mAh	500mAh	≤ 100mΩ	CV/CC**	3.65V	2.0V	1A	Ø16.5mm	34.2mm
INR14300A52 A	3.6V	490mAh	520mAh	≤ 90mΩ	CV/CC**	4.2V	2.75V	1A	Ø14.3mm	30.2mm
INR14430A75	3.6V	710mAh	750mAh	≤ 85mΩ	CV/CC**	4.2V	2.75V	2A	Ø14.3mm	42.7mm
INR14500A80	3.6V	750mAh	800mAh	≤ 85mΩ	CV/CC**	4.2V	2.75V	2A	Ø14.2mm	50.0mm
INR16300A65	3.6V	620mAh	650mAh	≤ 85mΩ	CV/CC**	4.2V	2.75V	1.3A	Ø16.5mm	30.0mm
INR16300D65 A	3.6V	620mAh	650mAh	≤ 75mΩ	CV/CC**	4.2V	2.75V	5A	Ø16.5mm	30.0mm
INR16340A82 A	3.6V	780mAh	820mAh	≤ 85mΩ	CV/CC**	4.2V	2.75V	2A	Ø16.5mm	33.5mm
INR16340A82 AJ	3.6V	780mAh	820mAh	≤ 85mΩ	CV/CC**	4.2V	2.75V	2A	Ø16.5mm	34.1mm
INR17500A110 A	3.6V	1050mAh	1100mAh	≤ 80mΩ	CV/CC**	4.2V	2.75V	2.2A	Ø16.9mm	49.1mm
INR18350D82 DT	3.6V	780mAh	820mAh	≤ 30mΩ	CV/CC**	4.2V	2.75V	8A	Ø18.4mm	35.2mm
INR18500A160 A	3.6V	1600mAh	1700mAh	≤ 60mΩ	CV/CC**	4.2V	2.75V	3.4A	Ø18.4mm	48.8mm
INR18500A170 A	3.6V	1600mAh	1700mAh	≤ 60mΩ	CV/CC**	4.2V	2.75V	3.4A	Ø18.4mm	48.8mm
INR26650A500	3.6V	4800mAh	5000mAh	≤ 35mΩ	CV/CC**	4.2V	2.75V	10A	Ø26.3mm	65.2mm
NCR10380D40 A	3.6V	380mAh	400mAh	≤ 85mΩ	CV/CC**	4.2V	2.5V	1A	Ø10.2mm	37.7mm
NCR10380D40 AJ	3.6V	380mAh	400mAh	≤ 85mΩ	CV/CC**	4.2V	2.5V	1A	Ø10.2mm	38.2mm
NCR10430D45 A	3.6V	420mAh	450mAh	≤ 70mΩ	CV/CC**	4.2V	2.5V	1A	Ø10.2mm	42.4mm
NCR10430D45 AJ	3.6V	420mAh	450mAh	≤ 70mΩ	CV/CC**	4.2V	2.5V	1A	Ø10.2mm	43.2mm
NCR10500D50 A	3.6V	470mAh	500mAh	≤ 65mΩ	CV/CC**	4.2V	2.5V	1A	Ø10.2mm	50.2mm
NCR10500D50 AJ	3.6V	470mAh	500mAh	≤ 65mΩ	CV/CC**	4.2V	2.5V	1A	Ø10.2mm	50.2mm
NCR14250A52 A	3.6V	490mAh	520mAh	≤ 100mΩ	CV/CC**	4.2V	2.5V	1A	Ø14.3mm	25.2mm
NCR14430A92 A	3.6V	880mAh	920mAh	≤ 80mΩ	CV/CC**	4.2V	2.5V	2A	Ø14.3mm	42.7mm
NCR14430A105 A	3.6V	1000mAh	1050mAh	≤ 65mΩ	CV/CC**	4.2V	2.5V	2A	Ø14.3mm	42.7mm
NCR14450A105 A	3.6V	1000mAh	1050mAh	≤ 65mΩ	CV/CC**	4.2V	2.5V	2A	Ø14.3mm	45.0mm
NCR14500A105 A	3.6V	1000mAh	1050mAh	≤ 75mΩ	CV/CC**	4.2V	2.5V	2A	Ø14.2mm	49.0mm
NCR18350D110 DT	3.6V	1080mAh	1100mAh	≤ 26mΩ	CV/CC**	4.2V	2.5V	10A	Ø18.5mm	35.2mm
NCR18350A140 A	3.6V	1380mAh	1400mAh	≤ 30mΩ	CV/CC**	4.2V	2.5V	3A	Ø18.5mm	35.2mm
NCR18500A204 A	3.6V	1940mAh	2040mAh	≤ 60mΩ	CV/CC**	4.2V	2.5V	4A	Ø18.4mm	48.8mm
NCR18500A225 A	3.6V	2150mAh	2250mAh	≤ 60mΩ	CV/CC**	4.2V	2.5V	4A	Ø18.4mm	48.8mm
NCR26650D600 DT	3.6V	5900mAh	6000mAh	≤ 18mΩ	CV/CC**	4.2V	2.5V	10A	Ø26.3mm	65.3mm

* Maximum discharge current value is subject to change. Please refer to the respective specification sheet for the most updated details.

** CC/CV = Constant Current/Constant Voltage

* 最大放電電流值隨時可能更改。請參考各自的規格表的最新細節。

** CC/CV = 恆流恆壓 (Constant Current & Constant Voltage)



WeChat



LINE



PortaPower.com



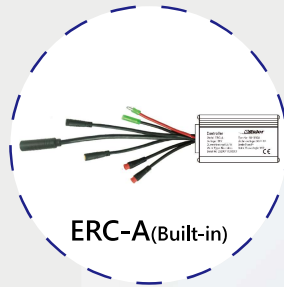
BMS2008



BMS2298



BMS2353



ERC-A(Built-in)



ERS-ES01



ERS-S02



ERS-T15



RM3104KCB.325

We provide one-stop shop solution, including ebike systems to match with our battery packs, to create the best performance.



One click,
Power your ride.

PORTAPOWER

MEET U NEEDS



HONGKONG HEADQUARTERS

PORTAPOWER (China) Ltd.
Flat 1003, 10/F., Hopeful Factory Centre,
10-16 Wo Shing St., Fotan, N.T., Hong Kong
Tel: +852 2687 6323
Fax: +852 2687 6312
Website: <https://www.portapower.com>

TAIWAN FACTORY

PORTAPOWER Electronics Ltd.
1/F, No.79, Ln.271, Liancun Rd., Fengyuan Dist.,
Taichung City, Taiwan(R.O.C), 420
Tel: +886-4 2539 3829
Fax: +886-4 2539 3829
Website: <https://www.portapower.com.tw>

GUANGDONG FACTORY

Guangzhou Zhanhui Electronics Co., Ltd.
No.320, Shinan Road, Guantan, Dongchong
Nansha Dist., Guangzhou, China, 511453
Tel: +86 020 6680 4228
Fax: +86 020 6680 4229
Website: <https://www.portapower.com>

SERVICE CENTER

PORTAPOWER Service Center
Am Treptower Park 28-30,
12345 Berlin, Germany
Tel: +49 (0)30 60985356
Website: <https://www.erider.com>

HUNAN FACTORY

Changde Yik Lik Energy Ltd.
Anxiang Country Industrial Area,
Changde City, Hunan, China, 415600
Tel: +86 0736 433 8338
Fax: +86 0736 433 8333
Website: <https://www.yiklik.com>